

CATALOG #	TYPE	
JOB NAME	WATTAGE	VOLTAGE

# Latitudes Series

## Sealed & Gasketed 8" Downlight • LED

Up to 60,000 Hour Rated Life • Wet Listed

LM-79 Certified • LM-80 Qualified

# LRR-08464



## Specifications

### Delivered System Performance

- Lumen Series: **Must Specify**

#### Non-IC

-6500L

-5000L

-3500L

-2500L

- Select trim & beam distribution: see chart
- Select color (CCT): see chart; 80+ CRI standard; Option -HC for 90+ (15% lumen loss)
- 60,000 Hour Rated Life (L70)

### Thermal Protection: SPECIFY VOLTAGE

- Thermal protector for insulation detection per UL/NEC. Must specify input voltage

### Thermal Management System

- Aluminum heat sink and components for cool operation, long life, and low maintenance

### LED Driver - INTERNAL

- Indoor/Outdoor: -30°C to 60°C (-22°F to 140°F)
- 0-10V CCR 10% dimming standard
- 120-277V / 50-60 Hz standard; load insensitive

### Trim/Lens Assembly

- Rustproof 100% aluminum grooveless, smooth, self-flanged white trim (field paintable)
- Regressed tempered prismatic spread lens

### IP65 Sealed and Gasketed

- Liquid silicone seal between trim and lens
- Closed cell housing flange gasketing seals trim to housing
- Closed cell trim flange gasketing seals flange to ceiling
- Closed cell gasketing on bottom pan seals housing to ceiling
- O-rings seal stainless steel fasteners to trim

### Acrylic Enameled Aluminum Housing

- Rustproof and corrosion resistant: exceeds 1000 hour ASTM 5% salt spray test
- Shallow depth fits restricted plenums
- Cool operation extends component life
- Modular design; visible and fully serviceable through aperture
- Built-in plaster flange

### Outlet Box (Galvanized)

- UL Listed, 14GA, insulated, removable cover
- ½" and ¾" knockouts

### Installation & Hardware

- Indoor/outdoor in ceilings up to 1½" thick
- Compatible with fire rated enclosures (by others)
- 27" hanger bars & adjusting brackets (2) supplied

### UL, C-UL (Canada) Listings

- UL Listed: wet, damp or dry locations, covered ceilings
- Through-branch conductors (4 #12 AWG 90°C)

### IEC & FCC Compliance

- Meets IEC/EN 60601-1-2 electromagnetic compatibility standard for medical electrical equipment
- FCC Part 15 certified for EMI/RFI emissions

### FIVE YEAR Limited Warranty

- Complete standard fixture

## Options and Ordering Configuration

(Example: LRR-08464-3500L-120-MFL-50K-ECO-37T-RH-FS)

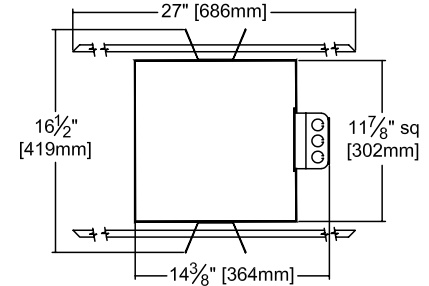
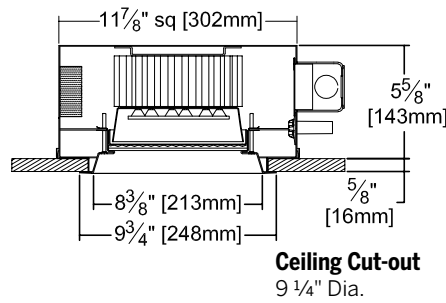


Must Specify					Optional			
Model	Lumens	Volts	Beam	CCT <sup>†</sup> & CRI	Driver Options	Emergency Options	Trim Options	Other Options
LRR-08464								
	-6500L -5000L -3500L -2500L	-120 -277 -97 <sup>†</sup> : Other Voltage	(Blank): MFL  -NFL -MFL -WFL	(Blank): 3500K, 80+ CRI  <b>80+ CRI*</b> -27K: 2700°K -30K: 3000°K -35K: 3500°K -41K: 4000°K -50K: 5000°K <b>*Note:</b> Lumen Factor = 0.93 for -27K  <b>90+ CRI**</b> -27K-HC: 2700°K -30K-HC: 3000°K -35K-HC: 3500°K -41K-HC: 4000°K -50K-HC: 5000°K <b>**Note:</b> Lumen Factor = 0.79 for -27K-HC; All Others = 0.85; Consult factory	(Blank): Standard 0-10V CCR 10% dim  -D1: 0-10V 1.0% dim -D2: 0-10V 0.1% dim -D3: DALI 1.0% dim -D4: DALI 100-0.1% dim -D5: DMX512A 0% dimming instead. Consult factory for -6500L lumen series -D40: -40°C (-40°F) driver; 0-10V 10% dimming instead for -3500L and -2500L -ECO: Digital driver for Lutron EcoSystem controls. Dims to 1% or consult factory; -3500L max	(Blank): None  -E1: Remote emergency inverter for 40% of rated lumens for -6500L, 50% for -5000L, and -3500L. Not available for -2500L. Run time: 90+ minutes, 120 or 277V, 60 Hz input only. Specify voltage. Not for use with option -FS  -EM: Internal emergency battery pack; Delivers 500 lumens; Run time: 90+ minutes. Not available with -6500L  -ERH: Remote emergency battery pack; Delivers 1000 lumens; CEC Compliant; Run time: 90+ minutes	(Blank): Grooveless, smooth, self-flanged white trim; regressed prismatic spread lens  <b>Trim Finishes</b> -35T: Silver enamel (complete trim) -37T: Dark bronze enamel (complete trim) -38T: Black enamel (complete trim) -94: Custom color; consult factory <b>Other Trim Features</b> -13: Clear poly lens below standard lens. Photometric distribution unaffected -23: Frosted microprismatic lens -CF: Custom color filter (Rosco); Specify -GE: Green acrylic filter mounted in lens assembly -NS: NSF approved fixture -RE: Red acrylic filter mounted in lens assembly -WA: White acrylic lens; will produce wide flood distribution	(Blank): None  <b>Mounting</b> -RH: Joist mounting hardware instead  <b>Other Options</b> -99: Special modification; consult factory -AWN: Athena Wireless Node; N/A for Dimming Options -D5, -D40, -ECO -FS: Fused primary; One per fixture; N/A for option -E1 -NAT: Modified for natatorium use -SH: Sealed housing and junction box. CCEA Chicago Plenum Approved  <b>*Note:</b> For other integrated control solutions, such as nLight, contact factory

## Performance Factors

NOMINAL LUMENS	LUMEN FACTOR	NOMINAL WATTS	LPW FACTOR
-6500L	1.00	72.9	1.00
-5000L	0.85	56.7	1.09
-3500L	0.68	42.4	1.17
-2500L	0.48	36.9	0.96

## Dimensions



**Ceiling Cut-out**  
9 1/4" Dia.

\* See notes on page 1 for additional info on Lumen Factors

## Photometry - Installed Complete Fixture

LM-79 IESNA Certified Photometry from Independent Lab

**-6500L-MFL**  
Cone of Light ▲

Dist.	FC	Dia.
6	234.9	4.8
8	132.1	6.4
10	84.6	8.0
12	58.7	9.6
14	43.1	11.1
16	33.0	12.7

Lumens: 6257  
LPW: 86  
Beam: ~43°  
SC: 0.8  
ITL Test: 86323

Nominal Lumens	Actual Lumens	Actual LPW
6500L	6257	85.8
5000L	5310	93.7
3500L	4259	100.4
2500L	3030	82.1

---

**-6500L-NFL**  
Cone of Light ▲

Dist.	FC	Dia.
6	459.7	2.7
8	258.6	3.6
10	165.5	4.5
12	114.9	5.4
14	84.4	6.3
16	64.6	7.2

Lumens: 6015  
LPW: 83  
Beam: ~25°  
SC: 0.5  
ITL Test: 86324

Nominal Lumens	Actual Lumens	Actual LPW
6500L	6015	82.6
5000L	5298	88.9
3500L	4249	95.3
2500L	3010	82.5

**-6500L-WFL**  
Cone of Light ▲

Dist.	FC	Dia.
6	105.8	5.5
8	59.5	7.3
10	38.1	9.1
12	26.5	11.0
14	19.4	12.8
16	14.9	14.6

Lumens: 5292  
LPW: 72  
Beam: ~49°  
SC: 0.9  
ITL Test: 86325

Nominal Lumens	Actual Lumens	Actual LPW
6500L	5292	72.2
5000L	4416	74.3
3500L	3541	79.8
2500L	2540	69.3

LED manufacturers maintain a tolerance of +/-7% on flux (lumens) and power (electrical) measurements.

▲ **Cone of Light Key**      **Dist.** Distance (Ft.) from fixture  
Dia. (in ft.) shown is where FC      **FC** Footcandles at nadir (0°)  
value is half the FC at nadir.      **Dia.** Circle of light at 50% of FC