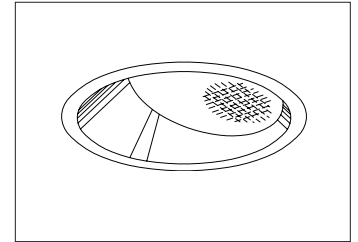


|           |         |         |
|-----------|---------|---------|
| CATALOG # | TYPE    |         |
| JOB NAME  | WATTAGE | VOLTAGE |

7" LED 2450 LUMENS 38 SYSTEM WATTS LRR-07310

## Lensed Wall Wash • LED • 2450 Lumens

50,000+ Hour Life (L70) • Sealed Housing Optional  
LM-80 Qualified • LM-79 Certified Photometry



### Specifications

#### LED Light Engine\*

- 38 watt LED array. 3500°K standard (or see Option -41K).
- 2450\* lumens, 65 lumens per watt (total system).
- 81 CRI, 50,000+ hour life (L70)\*\*.
- Fully sustainable: removable for servicing.

#### Thermal Management System

- All-aluminum proprietary heat sink, components and housing maximize cool operation and long life while minimizing maintenance.

#### LED Power Supply

- Suitable for outdoor / indoor use: -30°C (-22°F) to 70°C (158°F).
- Specify 120V or 277V (50-60Hz). Load insensitive.
- 0.9 power factor (PF) minimum.
- Kirlin remote SmartSupply™ driver instead (up to 6 luminaires). See Option -SS.

#### Thermal Protection

- Thermal protector (per current NEC)

provides automatic cut-off if rated temperature is exceeded. Must specify input voltage.

#### Trim

- Specular clear aluminum self-flanged angle-cut cone with tempered prismatic C#78 lens above.
- Specular high efficiency reflector above.
- Optional colors and finishes available.

#### Acrylic Enamelled Aluminum Housing

- Rustproof and corrosion resistant: Exceeds 1000 hour ASTM 5% salt spray test.
- Shallow depth fits restricted plenums.
- Cool operation: Extends life of all components.
- Fully sustainable: Entire luminaire, including LED light engine, easily visible and serviced through aperture.
- Built-in plaster flange.
- Sealed housing design available, see -SH.

#### Outlet Box

- UL listed J-box with insulated removable cover. Prewired 14 GA (NEC) with 1/2" and 3/4" knockouts.

#### Installation

- Recesses indoor/outdoor in covered locations.
- Accommodates ceilings up to 1-1/8" thick.
- 27" galvanized hanger bars with adjustable mounting brackets (2) supplied.
- For residential mounting hardware for wood joist ceilings, see Option -RH.

#### UL, CUL (Canada) Listings

- Wet, damp or dry locations, covered ceilings.
- Through-branch conductors (4 #12 AWG 90°C).

#### CE & FCC Compliance

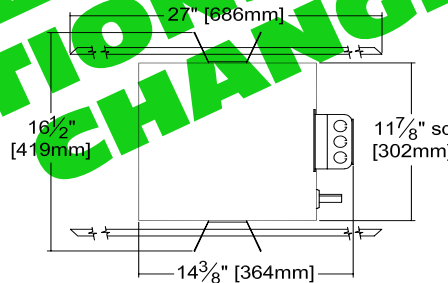
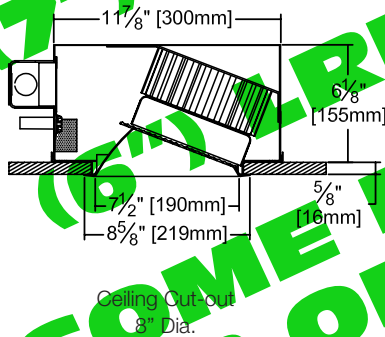
- Certified to meet IES 60601-1-2 & EN 60601-1-2 electromagnetic compatibility standard for medical electrical equipment.
- FCC Part 15 certified for EMI/RFI emissions.



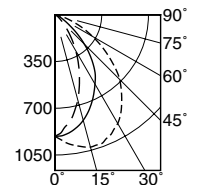
**FIVE YEAR Limited Warranty**

- Complete standard fixture.

### Performance at a Glance



Lumens: 1502  
Efficiency: 61.2%  
ITL Test: 68386



WALL > --- 0°  
--- 90°  
--- 180°



**Exceptional Energy Efficiency**

## THE KIRLIN COMPANY

3401 EAST JEFFERSON AVENUE • DETROIT, MICHIGAN 48207-4232  
(313) 259-6400 • Fax: (313) 259-9409 OR (313) 259-3121 • www.kirlinlighting.com

\* See note next page  
\*\* See note next page

MAX. LUMENS      MAX. SYSTEM WATTS      CATALOG NUMBER

**LED LIGHTING      2450      38      LRR-07310**

DUE TO OUR CONTINUING EFFORT TO IMPROVE PRODUCTS, TECHNICAL INFORMATION IS SUBJECT TO CHANGE WITHOUT NOTICE. THE KIRLIN COMPANY EXPECTS PHOTOMETRIC PERFORMANCE TO IMPROVE SIGNIFICANTLY AND FREQUENTLY AS LED SOURCE TECHNOLOGY IMPROVES.

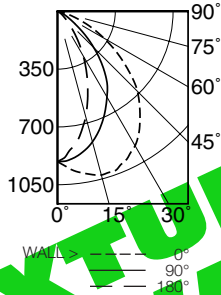
Detailed Photometry - Installed Fixture

Photometry from I.T.L., Boulder, CO

Photometric testing done in accordance with IESNA LM-79-08

**LRR-07310**

Lumens: 1502  
Effic: 61.2%  
ITL Test: 68386



| DISTANCE FROM CEILING IN FEET | SINGLE FIXTURE |      |      |     |     | MULTIPLE FIXTURES |            |            |            |      |      |
|-------------------------------|----------------|------|------|-----|-----|-------------------|------------|------------|------------|------|------|
|                               | 1'             | 2'   | 3'   | 4'  | 5'  | 2' CENTERS        | 3' CENTERS | 4' CENTERS | 5' CENTERS |      |      |
| 1                             | 45.6           | 24.1 | 6.6  | 2.0 | 0.8 | 62.2              | 62.3       | 62.3       | 50.9       | 27.7 | 50.9 |
| 2                             | 61.8           | 42.7 | 17.5 | 5.5 | 1.9 | 102.0             | 102.0      | 102.0      | 74.1       | 59.7 | 74.1 |
| 3                             | 38.9           | 31.1 | 17.6 | 8.2 | 3.4 | 83.2              | 83.3       | 83.3       | 56.5       | 53.9 | 56.5 |
| 4                             | 22.5           | 19.5 | 13.2 | 7.7 | 4.1 | 61.0              | 61.1       | 61.1       | 40.7       | 39.7 | 40.7 |
| 5                             | 13.6           | 12.3 | 9.3  | 6.2 | 3.9 | 44.3              | 44.2       | 44.2       | 29.4       | 29.2 | 29.4 |
| 6                             | 8.7            | 8.1  | 6.6  | 4.9 | 3.4 | 34.1              | 34.2       | 34.2       | 22.0       | 22.4 | 22.0 |
| 7                             | 6.0            | 5.7  | 4.9  | 3.8 | 2.8 | 26.9              | 27.0       | 27.0       | 17.5       | 17.6 | 17.5 |
| 8                             | 4.4            | 4.2  | 3.8  | 3.1 | 2.4 | 22.6              | 22.6       | 22.6       | 14.4       | 14.5 | 14.4 |
| 9                             | 3.5            | 3.4  | 3.1  | 2.7 | 2.1 | 19.6              | 19.9       | 19.9       | 12.4       | 12.6 | 12.4 |

THIS FIXTURE IS NO LONGER AVAILABLE FOR ALTERNATIVE. PLEASE SEE LRR-07430-43(55W) LRR-06425-43(49W) FOR OPTIONS HAVING SOFT-TEXTURED CONE FINISHES.

LM-80 Qualified • LM-79 Certified Photometry

▲ Cone of Light Key  
 FC Distance from fixture  
 FC Footcandles at nadir (0°)  
 Dia. Circle of light at 50% of FC  
 Dia. (in ft.) shown is where FC value is half the FC at nadir.

\* LED manufacturers maintain a tolerance of ±7% on flux (lumens) and power (electrical) measurements. Kirlin photometrics are actual test data from Independent Testing Laboratories (ITL).  
 \*\* LED Operating Characteristics: 50,000+ hours at 70% lumen maintenance (L70).

**Options**

**LED Power Supply**

- 120 Power supply and thermal protector rated for 120V (50-60Hz) input.
- 277 Power supply and thermal protector rated for 277V (50-60Hz) input.
- 39 Specify "-39Lutron" for Hi-Lume 3-wire full range (0-100%) dimming power supply instead of standard 0-10V dimming.
- 98 347V 50 Hz. instead. Consult factory.
- EI Remote emergency inverter for 100% rated lumen output. Run time: 90 minutes. Not for use with -SS SmartSupply™ driver.
- SS Remote mounted Kirlin SmartSupply™ driver, sold separately. Drives up to 6 fixtures at 38 watts each. Order 1 PS-1220A (0-10V analog

dimming) or LPS-1220D (DMX dimming). See [kirlinlighting.com](http://kirlinlighting.com) or consult factory for more information.

**Color Temperature (CCT)**

- 41K Color temperature 4100°K. Consult factory.

**Trims**

- 30 All white acrylic enameled cone. (CP x .95)
- 31 White acrylic enameled cone flange.
- 32 White oversize trim ring. Specify O.D.
- 45 Gasket between trim flange and ceiling.
- 59 Dark Bronze specular self-flanged cone. (CP x .80)
- 60 Softex Dark Bronze self-flanged cone. (CP x .75)
- 63 Dune specular self-flanged cone. (CP x .93)
- 68 Matte black self-flanged cone. (CP x .70)
- 69 Wheat specular self-flanged cone. (CP x .92)

- 70 Softex Clear self-flanged cone. (CP x .93)
- 71 Softex Dune self-flanged cone. (CP x .89)
- 72 Black specular self-flanged cone. (CP x .80)
- 77 Softex Pewter self-flanged cone. (CP x .85)
- 91 Softex Wheat self-flanged cone. (CP x .88)
- 93 Pewter specular self-flanged cone. (CP x .88)
- 94 Custom color/finish. Specify. Consult factory.

**Other**

- 99 Special modification. Consult factory.
- RH Residential mounting hardware instead. Suitable for wood joist ceilings with spacing from 14 1/2" to 25 1/2" with 1/2" vertical adjustability.
- SH Sealed housing and junction box.

SUBMITTAL DATA

APPROVAL STAMP

JOB NAME \_\_\_\_\_  
 TYPE \_\_\_\_\_  
 WATTAGE \_\_\_\_\_ VOLTAGE \_\_\_\_\_  
 CATALOG NUMBER \_\_\_\_\_

LIMITED WARRANTY: KIRLIN FIXTURES ARE WARRANTED FREE OF DEFECTS IN WORKMANSHIP OR MATERIAL FOR THREE YEARS FROM DATE OF PURCHASE. INSTALLATION TO N.E.C. IS NORMAL USE. Manufacturer of the option will replace or repair such fixture or refund the purchase price on presentation of proof of purchase and defective fixture at the offices of manufacturer within three years of original shipment. Liability of manufacturer is limited to the foregoing and manufacturer shall not be liable for any indirect damages, direct or indirect, sustained or suffered by purchaser or any person. This warranty is subject to the buyer in place of all other warranties, expressed or implied. Seller does not warrant as to merchantability or fitness for a particular use, nor will any oral statement constitute a warranty or amend this specific warranty. Abnormal use, abuse of the fixture, improper installation, or repair, or modification of the fixture without prior written authorization from the manufacturer will render the warranty void.