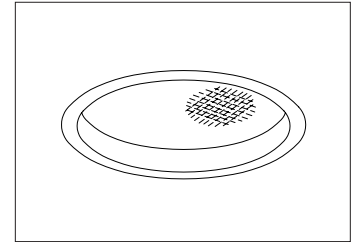


CATALOG #	TYPE	
JOB NAME	WATTAGE	VOLTAGE

7" LED 2450 LUMENS 38 SYSTEM WATTS LRR-07305

## Regressed Lensed LED Downlight • White Trim

50,000+ Hour Life (L70) • Sealed Housing Optional  
LM-80 Qualified • LM-79 Certified Photometry



### Specifications

#### LED Light Engine\*

- 38 watt LED array. 3500°K standard (or see Option -41K).
- 2450\* lumens, 65 lumens per watt (total system).
- 81 CRI, 50,000+ hour life (L70)\*\*.
- Fully sustainable; removable for servicing.

#### Thermal Management System

- All-aluminum proprietary heat sink, components and housing maximize cool operation and long life while minimizing maintenance.

#### LED Power Supply

- Suitable for outdoor / indoor use. -30°C (-22°F) to 70°C (158°F).
- Specify 120V or 277V (50-60Hz). Load insensitive.
- Available dimming options.
- Kirlin remote SmartSupply™ driver instead (up to 6 luminaires). See Option -SS.

#### Thermal Protection

- Thermal protector (per current NEC)

provides automatic out-of-limbo if rated temperature is exceeded. Must specify input voltage.

#### Trim Assembly

- Seamless tapered white finish aluminum self-flanged trim with high efficiency specular reflector above.
- Regressed tempered prismatic C#73 lens.

#### Acrylic Enamelled Aluminum Housing

- Rustproof and corrosion resistant: Exceeds 1000 hour ASTM 5% salt spray test.
- Shallow depth fits restricted plenums.
- Cool operation: Extends life of all components.
- Fully sustainable: Entire luminaire, including LED light engine, easily visible and serviced through aperture.
- Built-in plaster flange.
- Sealed housing design available, see -SH.

#### Outlet Box

- UL listed J-box with insulated removable cover. Prewired 14 GA (NEC) with 7/8" and 3/4" knockouts.

#### Installation

- Recesses indoor/outdoor in covered locations.
- Accommodates ceilings up to 1-1/8" thick or see Option -79.
- 27" galvanized hanger bars with adjustable mounting brackets (2) supplied.
- For residential mounting hardware for wood joist ceilings, see Option -RH.

#### UL, C-UL (Canada) Listings

- Wet, damp or dry locations, covered ceilings.
- Through-branch conductors (4 #12 AWG 90°C).

#### CE & FCC Compliance

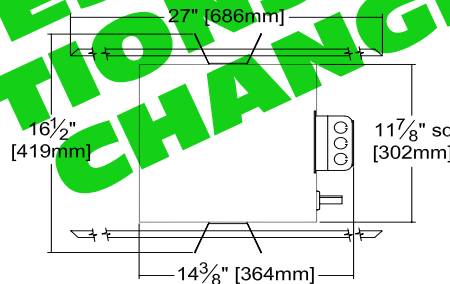
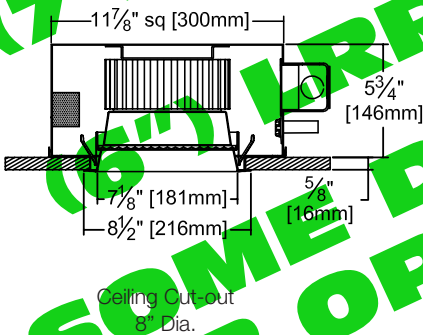
- Certified to meet IES 60601-1-2 & EN 60601-1-2 electromagnetic compatibility standard for medical electrical equipment.
- FCC Part 15 certified for EMI/RFI emissions.



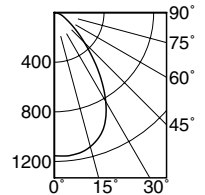
**FIVE YEAR Limited Warranty**

- Complete standard fixture.

### Performance at a Glance



Lumens: 1836  
Beam: ~74°  
SC: 1.10  
Effic: 74.8%  
ITL Test: 67160



**Exceptional Energy Efficiency**

## THE KIRLIN COMPANY

3401 EAST JEFFERSON AVENUE • DETROIT, MICHIGAN 48207-4232  
(313) 259-6400 • Fax: (313) 259-9409 OR (313) 259-3121 • www.kirlinlighting.com

\* See note next page  
\*\* See note next page

MAX. LUMENS      MAX. SYSTEM WATTS      CATALOG NUMBER

LED LIGHTING      2450      38      LRR-07305

DUE TO OUR CONTINUING EFFORT TO IMPROVE PRODUCTS, TECHNICAL INFORMATION IS SUBJECT TO CHANGE WITHOUT NOTICE. THE KIRLIN COMPANY EXPECTS PHOTOMETRIC PERFORMANCE TO IMPROVE SIGNIFICANTLY AND FREQUENTLY AS LED SOURCE TECHNOLOGY IMPROVES.

Detailed Photometry - Installed Fixture

Photometry from I.T.L., Boulder, CO

Photometric testing done in accordance with IESNA LM-79-08

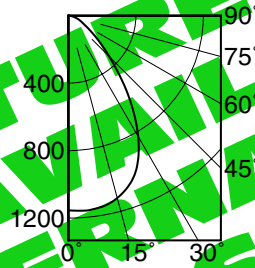
LRR-07305



Lumens: 1836  
Beam: ~74°  
SC: 1.1  
Effic: 74.8%  
ITL Test: 67160

Cone of Light ▲

Dist.	FC	Dia.
6	32.1	6.6
8	24.0	8.8
10	19.2	11.1
12	16.0	13.3
14	13.1	15.5
16	11.2	17.7



CANDLEPOWER DISTRIBUTION					
	0.0	22.5	45.0	67.5	90.0
0	1154	1154	1154	1154	1154
5	1160	1160	1160	1160	1160
15	1119	1119	1119	1119	1119
25	969	969	969	969	969
35	658	658	658	658	658
45	343	343	343	343	343
55	165	165	165	165	165
65	85	85	85	85	85
75	42	42	42	42	42
85	9	9	9	9	9
90	0	0	0	0	0

LM-80 Qualified • LM-79 Certified Photometry

▲ Cone of Light Key

Ft. Distance from fixture  
FC Footcandles at angle (0°)  
Dia. Circle of light at 50% of FC  
Dia. (in ft.) shown is where FC value is half the FC at radii.

\* LED manufacturers maintain a tolerance of ±7% on flux (lumens) and power (electrical) measurements. Kirlin photometrics are actual test data from Independent Testing Laboratories (ITL).  
\*\* LED Operating Characteristics: 50,000+ hours at 70% lumen maintenance (L70).

Options

LED Power Supply

- 120 Power supply and thermal protector rated for 120V (50-60Hz) input.
- 277 Power supply and thermal protector rated for 277V (50-60Hz) input.
- 39 Specify "-39Lutron" for Hi-Lume 3 wire full range (0-100%) dimming power supply instead of standard 0-10V dimming.
- 98 347V 50 Hz. instead. Consult factory.
- EI Remote emergency inverter for 100% rated lumen output. Run time: 90 minutes. Not for use with -SS SmartSupply™ driver.

- SS Remote mounted Kirlin SmartSupply™ driver, sold separately. Drives up to 6 fixtures at 38 watts each. Order LPS-1220A (0-10V analog dimming) or LPS-1220B (DMX dimming). See kirlinlighting.com or consult factory for more information.

Color Temperature (CCT)

- 41K Color temperature 4100°K. Consult factory.

Trims

- 32 White oversize trim ring. Specify O.D.
- 45 Gasket between trim flange and ceiling.
- 94 Custom color/finish. Specify. Consult factory.

Other

- 79 Extension collar for ceilings up to 2" thick.
- 99 Special modification. Consult factory.
- RH Residential mounting hardware instead. Suitable for wood joist ceilings with spacing from 14 1/8" to 25 1/8" with 5/8" vertical adjustability.
- SH Sealed housing and junction box.

SUBMITTAL DATA

APPROVAL STAMP

JOB NAME

TYPE

WATTAGE

VOLTAGE

CATALOG NUMBER

THIS FIXTURE NO LONGER AVAILABLE FOR ALTERATION. PLEASE SEE LRR-07460-43(55W) OR LRR-06450-43(42W) FOR THE LATEST DESIGN FEATURES. SOME OPTIONS MAY HAVE CHANGED.

LIMITED WARRANTY: CATALOGED KIRLIN FIXTURES ARE WARRANTED FREE OF DEFECTS IN WORKMANSHIP OR MATERIAL FOR THREE YEARS FROM DATE OF PURCHASE. INSTALL TO N.E.C. IN NORMAL USE. Manufacturer of the option will replace or repair such fixture or refund the purchase price on presentation of proof of purchase and defective fixture at the offices of manufacturer within three years of original shipment. Liability of manufacturer is limited to the foregoing and shall not extend to any other damages, direct or indirect, sustained or suffered by purchaser or any person. This warranty is supplied to the buyer in place of all other warranties, expressed or implied. Seller does not warrant as to merchantability or fitness for a particular use, nor will any oral statement constitute a warranty or amend this specific warranty. Abnormal use, abuse of the fixture, or modification of the fixture without prior written authorization from the manufacturer will render the warranty void.