

CATALOG #	TYPE	
JOB NAME	WATTAGE	VOLTAGE

Latitudes Series

IP66 Rated 6" Downlight • LED

Up to 60,000 Hour Rated Life • Wet Listed

LM-79 Certified • LM-80 Qualified

LRR-06453



Specifications

Delivered System Performance

- Nominal Lumens: **Must Specify Non-IC -2500L**

- Select trim & beam distribution: see chart
- Select color (CCT): see chart; 80+ CRI standard; Option -HC for 90+ (15% lumen loss)
- 60,000 Hour Rated Life (L70)

Thermal Management System

- Aluminum heat sink and components for cool operation, long life, and low maintenance

LED Driver - INTERNAL

- Indoor/Outdoor: -30°C to 60°C (-22°F to 140°F)
- 0-10V CCR 10% dimming standard
- 120-277V / 50-60 Hz standard; load insensitive

Trim Assembly

- Smooth white seamless tapered aluminum self-flanged rigid cast trim (field paintable)

- High strength prismatic acrylic above .125" clear flat polycarbonate lens. Also see -DA
- Vandal and ligature resistant, see Option -25
- BioGard antimicrobial trim, see Option -BGT

IP66 Rated Sealed and Gasketed Trim

- Silicone seal between trim and lens seals lens to trim
- Closed cell gasketing on trim flange seals flange to ceiling
- O-rings on stainless steel fasteners seal fasteners to trim
- Meets ASTM E283 restricted airflow of 2CFM maximum

Acrylic Enameled Aluminum Housing

- Rustproof and corrosion resistant: exceeds 1000 hour ASTM 5% salt spray test
- Shallow depth fits restricted plenums
- Cool operation extends component life
- Modular design; visible and fully serviceable through aperture
- Built-in plaster flange

Outlet Box (Galvanized)

- UL Listed, 14GA, insulated, removable cover
- 1/2" and 3/4" knockouts

Installation & Hardware

- Indoor/outdoor in ceilings up to 1 1/8" thick
- Compatible with fire rated enclosures (by others)
- 27" hanger bars & adjusting brackets (2) supplied

UL, C-UL (Canada)

- Wet, damp or dry locations, covered ceilings
- Through-branch conductors (4 #12 AWG 90°C) for Type IC listings

IEC & FCC Compliance

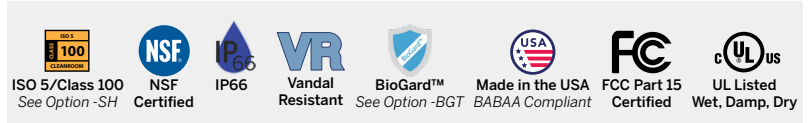
- Meets IEC/EN 60601-1-2 electromagnetic compatibility standard for medical electrical equipment
- FCC Part 15 certified for EMI/RFI emissions

FIVE YEAR Limited Warranty

- Complete standard fixture

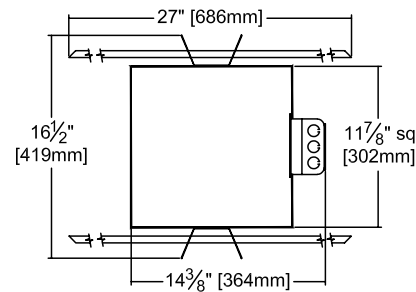
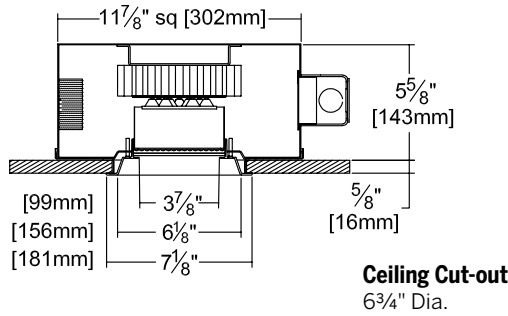
Options and Ordering Configuration

(Example: LRR-06453-2500L-277-WFL-41K-35T-FS)



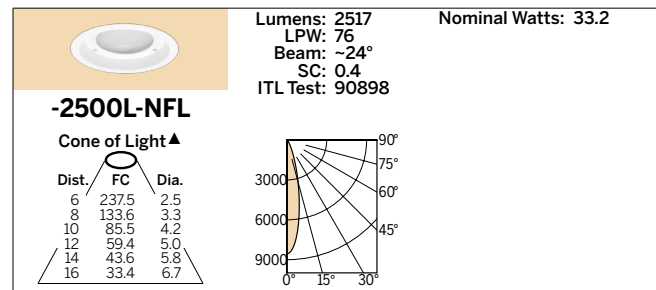
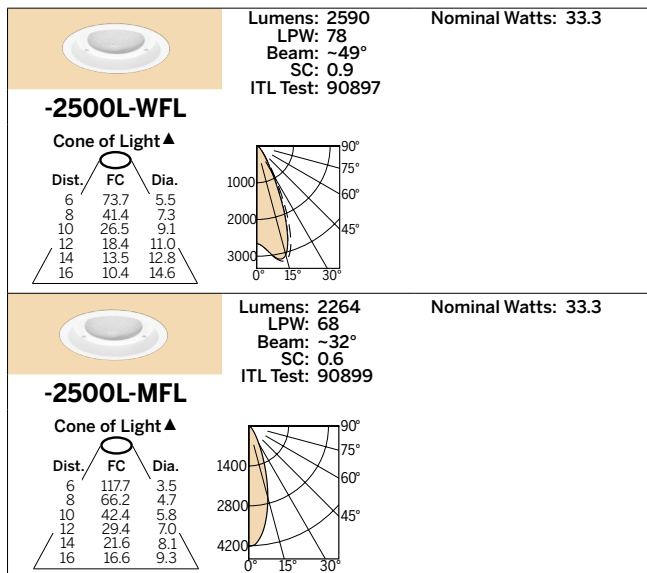
Must Specify					Optional			
Model	Lumens	Volts	Beam	CCT† & CRI	Driver Options	Emergency Options	Trim Options	Other Options
LRR-06453	-2500L	-120 -277 -97†: Other Voltage	(Blank): WFL -NFL -MFL -WFL	(Blank): 3500K, 80+ CRI 80+ CRI* -27K: 2700°K -30K: 3000°K -35K: 3500°K -41K: 4000°K -50K: 5000°K *Note: Lumen Factor = 0.93 for -27K 90+ CRI** -27K-HC: 2700°K -30K-HC: 3000°K -35K-HC: 3500°K -41K-HC: 4000°K -50K-HC: 5000°K **Note: Lumen Factor = 0.79 for -27K-HC; All Others = 0.85; Consult factory	(Blank): Standard 0-10V CCR 10% dim -D1: 0-10V 1.0% dim -D2: 0-10V 0.1% dim -D3: DALI 1.0% dim -D4: DALI 100-0.1% dim -D5: DMX512A 0% dimming instead. Consult factory for -6500L lumen series -D40: -40°C (-40°F) driver; 0-10V 10% dim -ECO: Digital driver for Lutron EcoSystem controls. Dims to 1% or consult factory	(Blank): None -ERH: Remote emergency battery pack; Delivers 1000 lumens; CEC Compliant; Run time: 90+ minutes	(Blank): Standard white trim Trim Finishes -35T: Silver enamel trim -BG: BioGard™ anti-microbial white -BKBG: BioGard™ anti-microbial black -94: Custom color; consult factory -94BG: BioGard™ anti-microbial custom color finish -BN: Brushed nickel cast trim Other Trim Features -25: Vandal resistant trim, hardware and lensing. Provides ligature and vandal resistance. Not available with NSF rating -CF: Custom color filter (Rosco) Specify. -DA: Diffuse acrylic lens above poly instead of prismatic acrylic. -WFL only -WA: White acrylic (flat) diffuser above poly instead of prismatic acrylic. Provides wide flood distribution.	(Blank): None -99: Special modification; consult factory -AWN: Athena Wireless Node; N/A for Dimming Options -D5, -D40, -ECO -FS: Fused primary; One per fixture; N/A for option -EI -SH: Sealed housing and junction box *Note: For other integrated control solutions, such as nLight, contact factory

Dimensions



Photometry - Installed Complete Fixture

LM-79 IESNA Certified Photometry from Independent Lab



* See notes on page 1 for additional info on Lumen Factors

LED manufacturers maintain a tolerance of +/-7% on flux (lumens) and power (electrical) measurements.

▲ **Cone of Light Key**
Dia. (in ft.) shown is where FC value is half the FC at nadir.

Dist. Distance (Ft.) from fixture
FC Footcandles at nadir (0°)
Dia. Circle of light at 50% of FC

LIMITED WARRANTY: CATALOGED KIRLIN FIXTURES ARE WARRANTED FREE OF DEFECTS IN WORKMANSHIP OR MATERIAL FOR FIVE YEARS FROM DATE OF PURCHASE. INSTALLED TO N.E.C. - IN NORMAL USE. Manufacturer at the option will replace or repair such fixture or refund the purchase price on presentation of proof of purchase and defective fixture at the offices of manufacturer within the years of original shipment. Liability of manufacturer is limited to the foregoing and manufacturer shall not be liable for any other damages, direct or indirect, sustained or suffered by purchaser or any person. This warranty is applied to the buyer in place of all other warranties, expressed or implied. Seller does not warrant as to merchantability or fitness for a particular use, nor will any oral statement constitute a warranty. Abnormal use, abuse of the fixture, improper installation, or repair or modification of the fixture without prior written authorization from the manufacturer will render the warranty void.