

CATALOG #	TYPE	
JOB NAME	WATTAGE	VOLTAGE

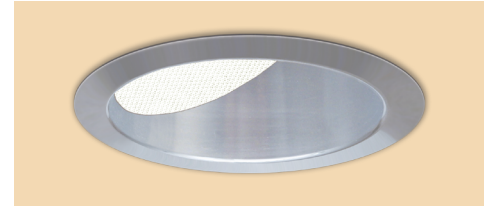
Latitudes Series

Lensed 6" Wall Wash • LED

Up to 60,000 Hour Rated Life • Wet Listed

LM-79 Certified • LM-80 Qualified

LRR-06425



Specifications

Delivered System Performance

- Nominal Lumens: **Must Specify**

Non-IC

-5000L

-3500L

-2500L

- Select trim & beam distribution: see chart
- Select color (CCT): see chart; 80+ CRI standard; Option -HC for 90+ (15% lumen loss)
- 60,000 Hour Rated Life (L70)
- Center beam optics positioned at 20°

Thermal Protection: SPECIFY VOLTAGE

- Thermal protector for insulation detection per UL/NEC. Must specify input voltage

Thermal Management System

- Aluminum heat sink and components for cool operation, long life, and low maintenance

LED Driver - INTERNAL

- Indoor/Outdoor: -30°C to 60°C (-22°F to 140°F)
- 0-10V CCR 10% dimming standard
- 120-277V / 50-60 Hz standard; load insensitive

Trim Assembly

- Clear specular aluminum trim
- Self-flanged, low glare cone with lens above
- Optional colors and finishes available

Acrylic Enameled Aluminum Housing

- Rustproof and corrosion resistant: exceeds 1000 hour ASTM 5% salt spray test
- Shallow depth fits restricted plenums
- Cool operation extends component life
- Modular design; visible and fully serviceable through aperture
- Built-in plaster flange

Outlet Box (Galvanized)

- UL Listed, 14GA, insulated, removable cover
- 1/2" and 3/4" knockouts

Installation & Hardware

- Indoor/outdoor in ceilings up to 1 1/8" thick
- Compatible with fire rated enclosures (by others)
- 27" hanger bars & adjusting brackets (2) supplied

UL, C-UL (Canada)

- UL Listed: wet, damp or dry locations, covered ceilings
- Through-branch conductors (4 #12 AWG 90°C)

IEC & FCC Compliance

- Meets IEC/EN 60601-1-2 electromagnetic compatibility standard for medical electrical equipment
- FCC Part 15 certified for EMI/RFI emissions

FIVE YEAR Limited Warranty

- Complete standard fixture



Options and Ordering Configuration

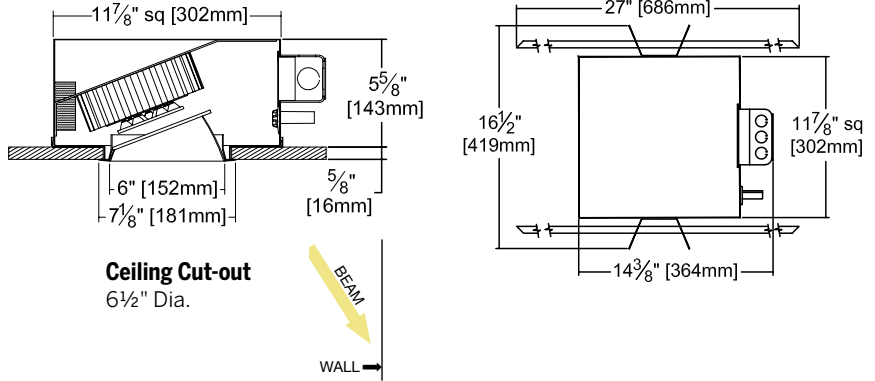
(Example: LRR-06425-5000L-277-50K-32-FS)

Must Specify				Optional			
Model	Lumens	Volts	CCT† & CRI	Driver Options	Emergency Options	Trim Options	Other Options
LRR-06425	-5000L -3500L -2500L	-120 -277 -97†: Other Voltage	(Blank): 3500K, 80+ CRI 80+ CRI* -27K: 2700°K -30K: 3000°K -35K: 3500°K -41K: 4000°K -50K: 5000°K *Note: Lumen Factor = 0.93 for -27K 90+ CRI** -27K-HC: 2700°K -30K-HC: 3000°K -35K-HC: 3500°K -41K-HC: 4000°K -50K-HC: 5000°K **Note: Lumen Factor = 0.79 for -27K-HC; All Others = 0.85; Consult Factory	(Blank): Standard 0-10V CCR 10% dim -D1: 0-10V 1.0% dim -D2: 0-10V 0.1% dim -D3: DALI 1.0% dim -D4: DALI 100-0.1% dim -D5: DMX512A 0% dimming instead -D40: -40°C (-40°F) driver; 0-10V 10% dim -ECO: Digital driver for Lutron EcoSystem controls. Dims to 1% or consult factory; -3500L max	(Blank): None -EI: Remote emergency inverter for 50% of rated lumens -5000L and -3500L. Not available for -2500L. Run time 90+ minutes. 120 or 277V, 90 Hz input only. Specify voltage. Not for use with -FS -EM: Internal emergency battery pack; Delivers 500 lumens; Run time: 90+ minutes -ERH: Remote emergency battery pack; Delivers 1000 lumens; CEC Compliant; Run time: 90+ minutes	(Blank): Clear specular aluminum trim; low glare cone with lens above Trim Finishes -30F: White enamel (flange only) -30T: White enamel (complete trim) -35F: Silver enamel (flange only) -35T: Silver enamel (complete trim) -37F: Dark bronze enamel (flange only) -37T: Dark bronze enamel (complete trim) -38F: Black enamel (flange only) -38T: Black enamel (complete trim) -70T: Clear semi-specular SofTex™ (complete trim) -94: Custom color; consult factory Other Trim Features -32: White trim extender, specify OD -45: Gasket between trim & ceiling	(Blank): None Mounting -RH: Joist mounting hardware instead Other Options -99: Special modification; consult factory -AWN: Athena Wireless Node; N/A for Dimming Options -D5, -D40, -ECO -FS: Fused primary; One per fixture; N/A for Option -EI SH: Sealed housing and junction box *Note: For other integrated control solutions, such as nLight, contact factory

Performance Factors

NOMINAL LUMENS	LUMEN FACTOR	NOMINAL WATTS	LPW FACTOR
-5000L	1.00	57.4	1.00
-3500L	0.80	42.9	1.08
-2500L	0.67	35.2	1.09

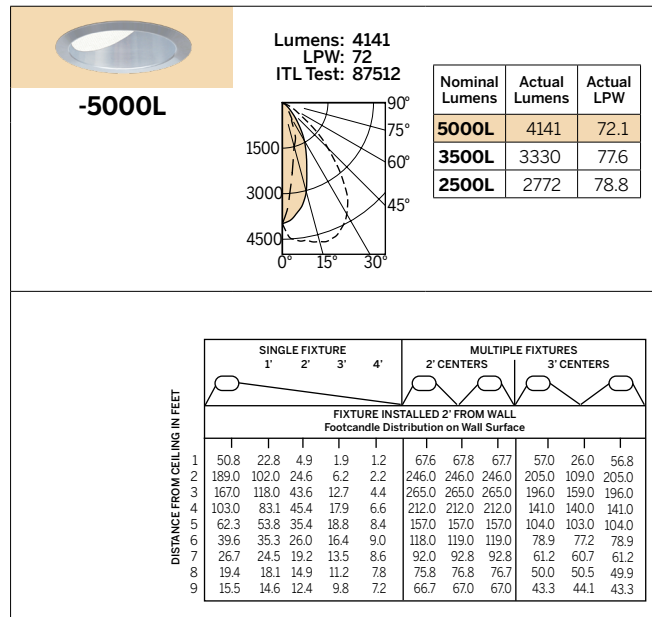
Dimensions



* See notes on page 1 for additional info on Lumen Factors

Photometry - Installed Complete Fixture

LM-79 IESNA Certified Photometry from Independent Lab



LED manufacturers maintain a tolerance of +/-7% on flux (lumens) and power (electrical) measurements.

LED manufacturers maintain a tolerance of +/-7% on flux (lumens) and power (electrical) measurements.

▲ **Cone of Light Key** **Dist.** Distance (Ft.) from fixture
 Dia. (in ft.) shown is where FC **FC** Footcandles at nadir (0°)
 value is half the FC at nadir. **Dia.** Circle of light at 50% of FC