

CATALOG #	TYPE	
JOB NAME	WATTAGE	VOLTAGE

# Latitudes Series

## IP66 Rated 6" Downlight • LED

Up to 90,000 Hour Rated Life • Type IC • Wet Listed  
LM-79 Certified • LM-80 Qualified

# LRR-06020



## Specifications

### Delivered System Performance

- Nominal Lumens: **Must Specify**

#### Type IC

-2000L

-1500L

-1000L

- Select trim & beam distribution: see chart
- Select color (CCT): see chart; 80+ CRI standard; Option -HC for 90+ (15% lumen loss)
- 90,000 Hour Rated Life (L70\*\*)

### Thermal Management System

- Aluminum heat sink and components for cool operation, long life, and low maintenance

### LED Driver - INTERNAL

- Indoor/Outdoor: -30°C to 60°C (-22°F to 140°F)
- 0-10V CCR 10% dimming standard
- 120-277V / 50-60 Hz standard; load insensitive

### Trim Assembly

- Smooth white seamless tapered aluminum self-flanged rigid cast trim (field paintable)

- High strength prismatic acrylic above .125" clear flat polycarbonate lens. Also see -DA
- Vandal and ligature resistant, see Option -25
- BioGard antimicrobial trim, see Option -BGT

### IP66 Rated Sealed and Gasketed Trim

- Silicone seal between trim and lens seals lens to trim
- Closed cell gasketing on trim flange seals flange to ceiling
- O-rings on stainless steel fasteners seal fasteners to trim
- Meets ASTM E283 restricted airflow of 2CFM maximum

### Acrylic Enameled Aluminum Housing

- Rustproof and corrosion resistant: exceeds 1000 hour ASTM 5% salt spray test
- Shallow depth fits restricted plenums
- Cool operation extends component life
- Modular design; visible and fully serviceable through aperture
- Built-in plaster flange

### Outlet Box (Galvanized)

- UL Listed, 14GA, insulated, removable cover
- ½" and ¾" knockouts

### Installation & Hardware

- Indoor/outdoor in ceilings up to 1½" thick
- Compatible with fire rated enclosures (by others)
- 27" hanger bars & adjusting brackets (2) supplied

### UL, C-UL (Canada)

- UL Listed: wet, damp or dry locations, covered ceilings
- Type IC: for direct contact with insulation
- Through-branch conductors (4 #12 AWG 90°C)

### IEC & FCC Compliance

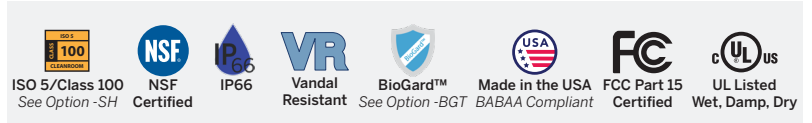
- Meets IEC/EN 60601-1-2 electromagnetic compatibility standard for medical electrical equipment
- FCC Part 15 certified for EMI/RFI emissions

### FIVE YEAR Limited Warranty

- Complete standard fixture

## Options and Ordering Configuration

(Example: LRR-06020-1500L-277-VFL-41K-35T-FS)

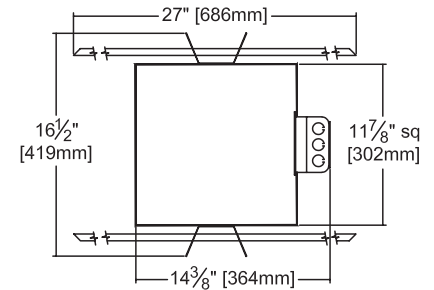
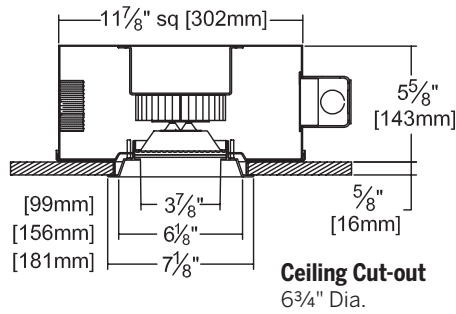


Must Specify					Optional							
Model	Lumens	Volts	Beam	CCT† & CRI	Driver Options	Emergency Options	Trim Options	Other Options				
LRR-06020	-2000L -1500L -1000L	-120 -277 -97†: Other Voltage	(Blank): WFL  -NFL -MFL -WFL	(Blank): 3500K, 80+ CRI  <b>80+ CRI*</b> -27K: 2700°K -30K: 3000°K -35K: 3500°K -41K: 4100°K -50K: 5000°K <b>90+ CRI**</b> -27K-HC: 2700°K -30K-HC: 3000°K -35K-HC: 3500°K -41K-HC: 4100°K -50K-HC: 5000°K	(Blank): Standard 0-10V CCR 10% dim  -D1: 0-10V 1.0% dim -D2†: 0-10V 0.1% dim -D3†: DALI 1.0% dim -D4†: DALI 100-0.1% dim -D5†: DMX512A 0% dimming instead. Consult factory for -6500L lumen series -D40: -40°C (-40°F) driver; 0-10V 10% dim	(Blank): None  -EI: Remote emergency inverter for 40% of rated lumens. Run time: 90+ minutes. 120 or 277V, 60 Hz input only. Specify voltage. Not for use with -FS.  -ERH: Remote emergency battery pack; Delivers 1000 lumens; CEC Compliant; Run time: 90+ minutes	(Blank): Standard white trim  <b>Trim Finishes</b> -35T: Silver enamel trim -94: Custom color; consult factory -BGT: Antimicrobial white BioGard™ (complete trim) -BN: Brushed nickel cast trim <b>Other Trim Features</b> -25: Vandal resistant trim, hardware and lensing. Provides ligature and vandal resistance. Not available with NSF rating -CF: Custom color filter (Rosco) Specify. -DA: Diffuse acrylic lens above poly instead of prismatic acrylic. -WFL only -WA: White acrylic (flat) diffuser above poly instead of prismatic acrylic. Provides wide flood distribution.	(Blank): None  -99: Special modification; consult factory -AWN: Athena Wireless Node; N/A for Dimming Options -D5, -D40 -FS: Fused primary; One per fixture; N/A for option -EI -SH: Sealed housing and junction box <b>*Note:</b> For other integrated control solutions, such as nLight, contact factory				
<b>Projected L70** for Kirlin Luminaires</b> <table border="1"> <tr> <td>In Open Plenum</td> <td>90,000 hours</td> </tr> <tr> <td>In Insulation (Type IC)</td> <td>70,000 hours</td> </tr> </table>					In Open Plenum	90,000 hours	In Insulation (Type IC)	70,000 hours				
In Open Plenum	90,000 hours											
In Insulation (Type IC)	70,000 hours											
**Hours at 70% lumen maintenance												
†Consult factory					†Consult factory for use with -2000L lumen series							

## Performance Factors

NOMINAL LUMENS	LUMEN FACTOR	NOMINAL WATTS	LPW FACTOR
-2000L	1.257	24.9	0.92
-1500L	1.00	18.2	1.00
-1000L	0.579	9.0	1.17

## Dimensions

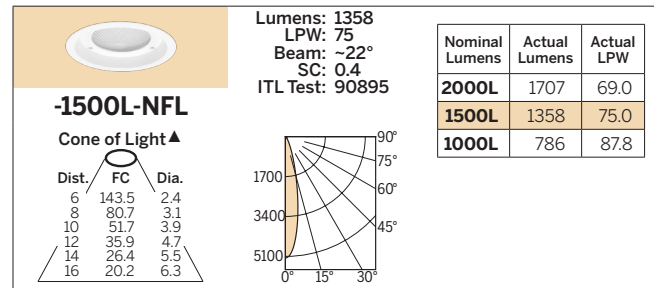
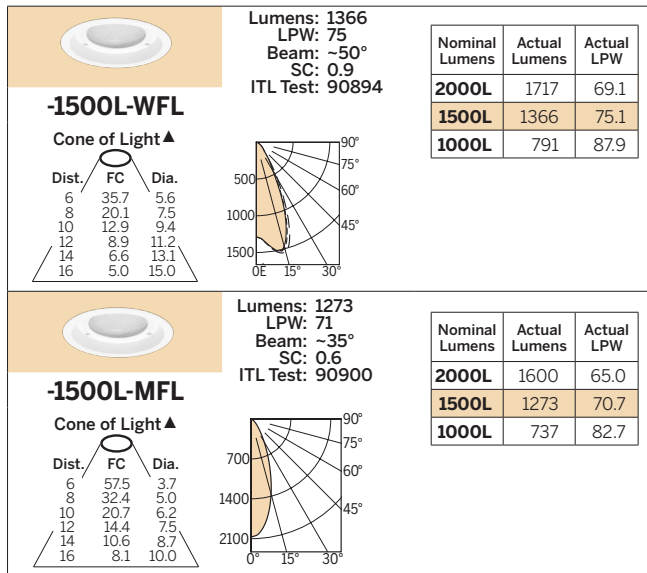


Ceiling Cut-out  
6 3/4" Dia.

\* See notes on page 1 for additional info on Lumen Factors

## Photometry - Installed Complete Fixture

LM-79 IESNA Certified Photometry from Independent Lab



LED manufacturers maintain a tolerance of +/-7% on flux (lumens) and power (electrical) measurements.

▲ **Cone of Light Key** Dist. Distance (Ft.) from fixture  
Dia. (in ft.) shown is where FC  
FC Footcandles at nadir (0°)  
Dia. Circle of light at 50% of FC

LIMITED WARRANTY: CATALOGUED KIRLIN FIXTURES ARE WARRANTED FREE OF DEFECTS IN WORKMANSHIP OR MATERIAL FOR FIVE YEARS FROM DATE OF PURCHASE. INSTALLED TO N.E.C. / IN-NORMAL USE. Manufacturer at this option will replace or repair such fixture or refund the purchase price on presentation of proof of purchase and defective fixture at the office of manufacturer within the warranty period. Original shipment, liability of manufacturer is limited to the foregoing and manufacturer shall not be liable for any other damages, direct or indirect, sustained or suffered by purchaser or any person. This warranty is applied to the buyer in place of all other warranties, expressed or implied. Seller does not warrant as to merchantability or fitness for a particular use, nor will any oral statement constitute a warranty or amend this specific warranty. Abnormal use, abuse of the fixture, improper installation, or repair or modification of the fixture without prior written authorization from the manufacturer will render the warranty void.