

CATALOG #	TYPE
JOB NAME	VOLTAGE

LRR-04423-2500L

Lensed 4" Wall Wash • LED

Up to 60,000 Hour Life • Wet Location
10% Dimming • 5 CCT • 3-Step Binning
LM-80 Qualified • LM-79 Certified



Specifications

Delivered System Performance*

- Lumen Series: **MUST SPECIFY**
-2500L: 2500 nominal lumens (35W).
- Color temperature: 3500°K standard.
Optional: -27K, -30K, -41K or -50K.
- CRI: 80+ standard. Optional: -HC (90+).
- 60,000 hour life (L70).
- Fully sustainable: removable for servicing.
- Center beam optics positioned at 20°.

Thermal Protection: SPECIFY VOLTAGE

- Thermal protector for insulation detection per UL/NEC. Must specify input voltage.

Thermal Management System

- All aluminum heat sink, components and housing maximize cool operation and long life while minimizing maintenance.

LED Power Supply - INTERNAL

- Suitable for outdoor / indoor use:
-30°C (-22°F) to 60°C (140°F) standard.
- 120-277V / 50-60Hz standard. Load insensitive.
- 0-10V CCR dimming standard. (100-10%)**

Trim

- Clear specular aluminum trim.
- Self-flanged, low glare angle-cut cone with lens above.
- Optional colors and finishes available.

Acrylic Enameled Aluminum Housing

- Rustproof and corrosion resistant: Exceeds 1000 hour ASTM 5% salt spray test.
- Shallow depth fits restricted plenums.
- Cool operation: Extends life of all components.
- Entire luminaire, including LED light engine, is modular, easily visible and serviced through aperture.
- Built-in plaster flange.

Outlet Box

- UL listed J-box with insulated removable cover. Prewired 14 GA (NEC) with ½" and ¾" knockouts.

Installation

- Recess indoor or outdoor.
- Accommodates ceilings up to 1-1/8" thick.

- Compatible with fire rated enclosures (by others).
- 27" galvanized hanger bars with adjustable mounting brackets (2) supplied.

UL, C-UL (Canada) Listings

- Wet, damp or dry locations, covered ceilings.
- Through-branch conductors (4 #12 AWG 90°C).

IEC & FCC Compliance

- Meets IEC/EN 60601-1-2 electromagnetic compatibility standard for medical electrical equipment.
- FCC Part 15 certified for EMI/RFI emissions.



FIVE YEAR Limited Warranty

- Complete standard fixture.

MUST SPECIFY		OPTIONAL	Ordering Example: LRR-04423-2500L-120-30K-32
Product Number	Voltage	Options	
LRR-04423-2500L	-120 (120 volts) -277 (277 volts) -97 (Specify other)	See "Options" below	

Options

Input Power: SPECIFY

- 120 120V (50-60Hz) input for thermal protector.
- 277 277V (50-60Hz) input for thermal protector.
- 97 Specify other voltage. Consult factory.

LED Power Supply

- D1 0-10V 1.0% dimming instead.
- D2 0-10V 0.1% dimming instead.
- D3 DALI 1.0% dimming instead.
- D4 DALI 0.1% dimming instead.
- D5 DMX512A 0% dimming instead.
- D40 -40°C driver with 0-10V 10% dimming instead.
- ECO Digital driver for Lutron EcoSystem controls. Dims to 1% or consult factory.
- EM INTERNAL emergency battery pack.

Delivers 500 lumens. Run time: 90+ minutes.

- ERH REMOTE emergency battery pack. Delivers 1000 lumens. Run time: 90+ minutes. CEC Compliant.

Color Temperature (CCT)

- 27K Color temperature 2700°K instead.
- 30K Color temperature 3000°K instead.
- 41K Color temperature 4100°K instead.
- 50K Color temperature 5000°K instead.
- HC 90+ CRI instead. Consult factory.

Trim

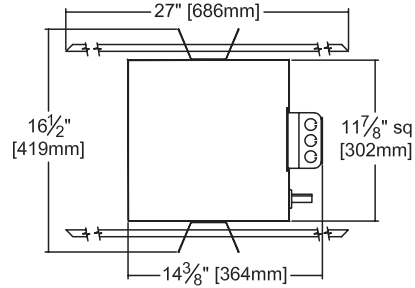
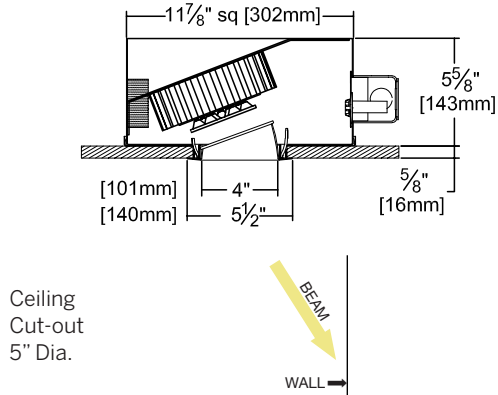
- 30T White enamel (complete trim).
- 30F White enamel (flange only).
- 32 White oversize trim ring. Specify O.D.
- 35T Silver enamel (complete trim).

- 35F Silver enamel (flange only).
- 37T Dark bronze enamel (complete trim).
- 37F Dark bronze enamel (flange only).
- 38T Black enamel (complete trim).
- 38F Black enamel (flange only).
- 45 Gasket between trim flange and ceiling.
- 70T Clear semi-specular SofTex™ (complete trim).
- 94 Custom color/finish. Specify. Consult factory.

Other

- 99 Special modification. Consult factory.
- FS Single in-line fuse.
- RH Residential mounting hardware instead. Suitable for wood joist ceilings with spacing from 14½" to 25½" with ½" vertical adjustability.
- SH Sealed housing and junction box.

Dimensions



Detailed Photometry - Installed Fixture

Photometric testing done in accordance with IESNA LM-79

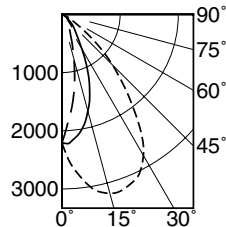
Photometry from I.T.L., Boulder, CO

-2500L Performance

Lumens: 2560
LPW: 76
Efficiency: 68.9%
ITL Test: 90487



Total System Watts 33.9



DISTANCE FROM CEILING IN FEET	SINGLE FIXTURE						MULTIPLE FIXTURES					
	1'		2'		4'		2' CENTERS			3' CENTERS		
	FIXTURE INSTALLED 2' FROM WALL Footcandle Distribution on Wall Surface											
1	23.9	9.8	2.4	1.2	0.8	33.5	33.6	33.5	27.5	12.0	27.4	
2	109.1	50.8	11.6	3.2	1.2	61.6	61.7	61.7	117.3	54.1	117.2	
3	106.2	68.3	21.9	6.1	2.2	58.5	59.2	59.1	120.3	84.2	120.3	
4	68.5	55.0	25.3	9.1	3.4	46.2	46.3	46.3	88.6	85.2	88.6	
5	41.5	36.7	22.2	9.9	4.4	35.7	36.1	36.1	63.7	67.7	63.7	
6	26.4	24.3	17.3	9.4	4.7	28.5	28.6	28.5	48.9	50.7	48.9	
7	17.8	16.8	13.1	8.4	4.7	23.2	23.5	23.5	38.6	39.1	38.6	
8	12.8	12.3	10.2	7.3	4.5	19.9	20.3	20.3	31.6	31.7	31.6	
9	10.2	9.8	8.4	6.5	4.4	17.6	17.9	17.9	27.3	27.9	27.3	

LM-80 Qualified • LM-79 Certified Photometry

* LED manufacturers maintain a tolerance of ±7% on flux (lumens) and power (electrical) measurements. Kirlin photometrics are actual test data from Independent Testing Laboratories (ITL) where photometry was measured from 3717 lumen (-2500L) light engines (within the established tolerance).

SUBMITTAL DATA

APPROVAL STAMP

JOB NAME _____
TYPE _____ VOLTAGE _____
CATALOG NUMBER _____



LIMITED WARRANTY: CATALOGED KIRLIN FIXTURES ARE WARRANTED FREE OF DEFECTS IN WORKMANSHIP OR MATERIAL FOR FIVE YEARS FROM DATE OF PURCHASE. INSTALLLED TO N.E.C. IN NORMAL USE. Manufacturer at the option will replace or repair such fixture or refund the purchase price on presentation of proof of purchase and defective fixture at the offices of manufacturer within five years of original shipment. Liability of manufacturer is limited to the foregoing, and manufacturer shall not be liable for any other damages, direct or indirect, sustained or suffered by purchaser or any person. This warranty is supplied to the buyer in place of all other warranties, expressed or implied. Seller does not warrant as to merchantability or fitness for a particular use, nor will any oral statement constitute a warranty or amend this specific warranty. Abnormal use, abuse of the fixture, improper installation, or repair or modification of the fixture without prior written authorization from the manufacturer will render the warranty void.