

CATALOG #	TYPE
JOB NAME	VOLTAGE

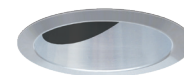
LRR-04413-2500L

Open Appearance 4" Adjustable • LED

Up to 60,000 Hour Life

10% Dimming • 3 Distributions • 5 CCT • 3-Step Binning

LM-80 Qualified • LM-79 Certified Photometry



Specifications

Delivered System Performance*

- Lumen Series: **MUST SPECIFY**
- 2500L: 2500 nominal lumens (35W).
- Distribution: NFL standard.
Optional: -SPT or -MFL.
- Color temperature: 3500°K standard.
Optional: -27K, -30K, -41K or -50K.
- CRI: 80+ standard. Optional: -HC (90+).
- 60,000 hour life (L70).
- Fully sustainable: removable for servicing.

Center Beam Optics

- Self-aligns with trim for optimal performance.
- Hot aiming by hand.
- Tilts from 0° to 35° and locks in place.
- Rotates full 360° and locks in place.
- Accommodates sloped ceilings up to 35°.

Thermal Protection: SPECIFY VOLTAGE

- Thermal protector for insulation detection per UL/NEC. Must specify input voltage.

Thermal Management System

- All aluminum heat sink, components and housing maximize cool operation and long life while minimizing maintenance.

LED Power Supply - INTERNAL

- 0-10V CCR dimming standard. (100-10%)**
- 120-277V / 50-60Hz standard. Load insensitive.
- Suitable for outdoor / indoor use:
-30°C (-22°F) to 60°C (140°F) standard.

Trim

- Clear specular aluminum trim.
- Self-flanged, low glare angle-cut cone with lens above.
- Optional colors and finishes available.

Acrylic Enameled Aluminum Housing

- Rustproof and corrosion resistant: Exceeds 1000 hour ASTM 5% salt spray test.
- Cool operation: Extends life of all components.
- Entire luminaire, including LED light engine, is modular, easily visible and serviced through aperture.
- Built-in plaster flange.

Outlet Box

- UL listed J-box with insulated removable cover. Prewired 14 GA (NEC) with ½" and ¾" knockouts.

Installation

- Recess indoor or outdoor.
- Accommodates ceilings up to 1-1/8" thick.
- Compatible with fire rated enclosures (by others).
- 27" galvanized hanger bars with adjustable mounting brackets (2) supplied.

UL, C-UL (Canada) Listings

- Wet, damp or dry locations, covered ceilings.
- Through-branch conductors (4 #12 AWG 90°C).

IEC & FCC Compliance

- Meets IEC/EN 60601-1-2 electromagnetic compatibility standard for medical electrical equipment.
- FCC Part 15 certified for EMI/RFI emissions.



**FIVE YEAR
Limited Warranty**

- Complete standard fixture.

MUST SPECIFY		OPTIONAL	Ordering Example: LRR-04413-2500L-120-30K-MFL
Product Number	Voltage	Options	
LRR-04413-2500L	-120 (120 volts) -277 (277 volts) -97 (Specify other)	See "Options" below	

Options

Input Power: SPECIFY

- 120 120V (50-60Hz) input for thermal protector.
- 277 277V (50-60Hz) input for thermal protector.
- 97 Specify other voltage. Consult factory.

LED Power Supply

- D1 0-10V 1.0% dimming instead.
- D2 0-10V 0.1% dimming instead.
- D3 DALI 1.0% dimming instead.
- D4 DALI 0.1% dimming instead.
- D5 DMX512A 0% dimming instead.
- D40 -40°C driver with 0-10V 10% dimming instead.
- ECO Digital driver for Lutron EcoSystem controls. Dims to 1% or consult factory.
- EM INTERNAL emergency battery pack. Delivers 500 lumens. Run time: 90+ minutes.

- ERH REMOTE emergency battery pack. Delivers 1000 lumens. Run time: 90+ minutes. CEC Compliant.

Color Temperature (CCT)

- 27K Color temperature 2700°K instead.
- 30K Color temperature 3000°K instead.
- 41K Color temperature 4100°K instead.
- 50K Color temperature 5000°K instead.
- HC 90+ CRI instead. Consult factory.

Optics

- SPT Spot distribution.
- MFL Medium flood distribution.

Trim

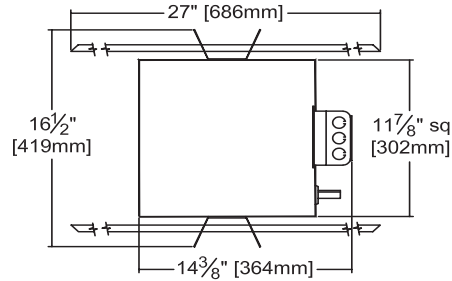
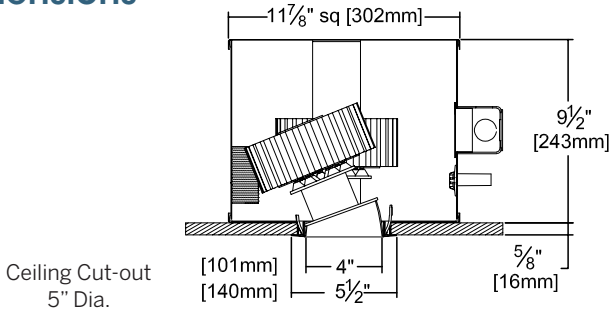
- 30T White enamel (complete trim).
- 30F White enamel (flange only).
- 32 White oversize trim ring. Specify O.D.
- 35T Silver enamel (complete trim).
- 35F Silver enamel (flange only).

- 37T Dark bronze enamel (complete trim).
- 37F Dark bronze enamel (flange only).
- 38T Black enamel (complete trim).
- 38F Black enamel (flange only).
- 45 Gasket between trim flange and ceiling.
- 70T Clear semi-specular SofTex™ (complete trim).
- 94 Custom color/finish. Specify. Consult factory.

Other

- 99 Special modification. Consult factory.
- FS Single in-line fuse.
- RH Residential mounting hardware instead. Suitable for wood joist ceilings with spacing from 14½" to 25½" with ½" vertical adjustability.
- SH Sealed housing and junction box.

Dimensions



Ceiling Cut-out
5" Dia.

Detailed Photometry - Installed Fixture

Photometric testing done in accordance with IESNA LM-79

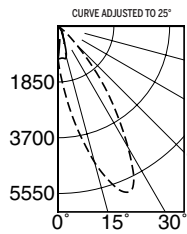
Photometry from I.T.L., Boulder, CO

-2500L STANDARD (NFL)

Lumens: 1952
Beam: ~29°
SC: 0.5
LPW: 57
Efficiency: 52.5%
ITL Test: 90485



Total System Watts 34.3



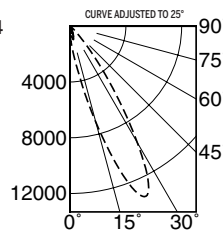
CANDLEPOWER DISTRIBUTION	CANDLEPOWER DISTRIBUTION				
	0.0	45.0	90.0	135.0	180.0
0	1089	1089	1089	1089	1089
5	2007	1681	1067	670	566
15	4671	2583	1038	656	431
25	5878	2070	385	342	427
35	3187	918	211	220	234
45	847	228	62	72	78
55	95	21	14	16	18
65	8	8	9	8	8
75	6	4	3	5	5
85	0	0	0	1	1
90	0	0	0	0	0

-2500L Option -SPT

Lumens: 2286
Beam: ~19°
SC: 0.3
LPW: 67
Efficiency: 61.5%
ITL Test: 90484



Total System Watts 34.3



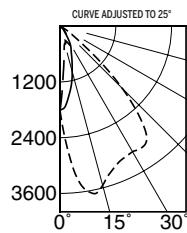
CANDLEPOWER DISTRIBUTION	CANDLEPOWER DISTRIBUTION				
	0.0	45.0	90.0	135.0	180.0
0	697	697	697	697	697
5	1465	1146	699	434	368
15	7125	2210	949	779	403
25	13215	1750	292	319	348
35	5049	608	142	161	186
45	675	136	41	46	47
55	54	12	10	11	13
65	7	6	7	7	7
75	4	3	2	3	4
85	0	0	0	0	0
90	0	0	0	0	0

-2500L Option -MFL

Lumens: 2233
Beam: ~41°
SC: 0.8
LPW: 65
Efficiency: 60.1%
ITL Test: 90486



Total System Watts 34.3



CANDLEPOWER DISTRIBUTION	CANDLEPOWER DISTRIBUTION				
	0.0	45.0	90.0	135.0	180.0
0	1810	1810	1810	1810	1810
5	3008	2534	1656	1073	898
15	3548	2964	1011	539	388
25	3162	2793	565	483	396
35	3146	1481	248	233	280
45	1897	359	105	128	128
55	301	68	34	52	46
65	12	8	8	10	12
75	5	3	2	3	3
85	0	0	0	1	1
90	0	0	0	0	0

LM-80 Qualified • LM-79 Certified Photometry

* LED manufacturers maintain a tolerance of ±7% on flux (lumens) and power (electrical) measurements. Kirlin photometrics are actual test data from Independent Testing Laboratories (ITL) where photometry was measured from 3717 lumen (-2500L) light engines (within the established tolerance).

SUBMITTAL DATA

APPROVAL STAMP

JOB NAME

TYPE

VOLTAGE

CATALOG NUMBER



LIMITED WARRANTY: CATALOGED KIRLIN FIXTURES ARE WARRANTED FREE OF DEFECTS IN WORKMANSHIP OR MATERIAL FOR FIVE YEARS FROM DATE OF PURCHASE. INSTALLATION TO N.E.C. IN NORMAL USE. Manufacturer at the option will replace or repair such fixture or refund the purchase price on presentation of proof of purchase and defective fixture at the offices of manufacturer within five years of original shipment. Liability of manufacturer is limited to the original and manufacturer shall not be liable for any other damages, direct or indirect, sustained or suffered by purchaser or any person. This warranty is supplied to the buyer in place of all other warranties, expressed or implied. Seller does not warrant as to merchantability or fitness for a particular use, nor will any oral statement constitute a warranty or amend this specific warranty. Abnormal use, abuse of the fixture, improper installation, or repair or modification of the fixture without prior written authorization from the manufacturer will render the warranty void.