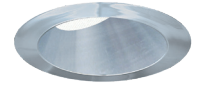


CATALOG #	TYPE
JOB NAME	VOLTAGE

**LRR-04037-2000L**  
**LRR-04037-1500L**  
**LRR-04037-1000L**



## Lensed 4" Wall Wash • LED

Up to 90,000 Hour Life • Air Tight Optional • Type IC  
 10% Dimming • 5 CCT • 3-Step Binning  
 LM-80 Qualified • LM-79 Certified • Wet Location

### Specifications

#### Delivered System Performance\*

- Lumen Series: **MUST SPECIFY**
- 2000L: 2000 nominal lumens (25W).
- 1500L: 1500 nominal lumens (20W).
- 1000L: 1000 nominal lumens (11W).
- Color temperature: 3500°K standard. Optional: -27K, -30K, -41K or -50K.
- CRI: 80+ standard. Optional: -HC (90+).
- 90,000 hour life (L70\*\*).
- Fully sustainable: removable for servicing.
- Center beam optics positioned at 20°.

#### Thermal Management System

- All aluminum heat sink, components and housing maximize cool operation and long life while minimizing maintenance.

#### LED Power Supply - INTERNAL

- Suitable for outdoor / indoor use: -30°C (-22°F) to 60°C (140°F) standard.
- 120-277V / 50-60Hz standard. Load insensitive.
- 0-10V CCR dimming standard. (100-10%)**

#### Trim Assembly

- Clear specular aluminum trim.
- Self-flanged, low glare angle-cut cone with lens above.
- Optional colors and finishes available.

#### Acrylic Enamelled Aluminum Housing

- Rustproof and corrosion resistant: Exceeds 1000 hour ASTM 5% salt spray test.
- Shallow depth fits restricted plenums.
- Cool operation: Extends life of all components.
- Entire luminaire, including LED light engine, is modular, easily visible and serviced through aperture.
- Built-in plaster flange.

#### Outlet Box

- UL listed J-box with insulated removable cover. Prewired 14 GA (NEC) with ½" and ¾" knockouts.

#### Installation

- Recess indoor or outdoor.
- Accommodates ceilings up to 1-1/8" thick.

- Compatible with fire rated enclosures (by others).
- 27" galvanized hanger bars with adjustable mounting brackets (2) supplied.

#### UL, C-UL (Canada) Listings

- Wet, damp or dry locations, covered ceilings.
- Type IC: for direct contact with insulation.
- Through-branch conductors (4 #12 AWG 90°C) for Type IC Listing.

#### IEC & FCC Compliance

- Meets IEC/EN 60601-1-2 electromagnetic compatibility standard for medical electrical equipment.
- FCC Part 15 certified for EMI/RFI emissions.



**FIVE YEAR Limited Warranty**

- Complete standard fixture.

MUST SPECIFY		OPTIONAL	Ordering Example: <b>LRR-04037-2000L-120-30K-DF</b>
Product Number	Voltage	Options	
LRR-04037-2000L LRR-04037-1500L LRR-04037-1000L	-120 (120 volts) -277 (277 volts) -97 (Specify other)	See "Options" below	

### Options

#### Input Power: SPECIFY

- 120 120V (50-60Hz) input.
- 277 277V (50-60Hz) input.
- 97 Specify other voltage. Consult factory.

#### LED Power Supply

- D1† 0-10V 1.0% dimming instead.
- D2† 0-10V 0.1% dimming instead.
- D3† DALI 1.0% dimming instead.
- D4† DALI 0.1% dimming instead.
- D5† DMX512A 0% dimming instead for -1000L only.
- D40 -40°C driver with 0-10V 10% dimming instead.
- EI Remote emergency inverter for 100% of rated lumens. Run time: 90+ minutes. 120 or 277V, 60 Hz input only. Specify voltage. Not for use with Options -FS.
- EM INTERNAL emergency battery pack. Delivers 500 lumens. Run time: 90+ minutes.

† Consult factory for use with -2000L lumen series.

- ERH REMOTE emergency battery pack. Delivers 1000 lumens. Run time: 90+ minutes. CEC Compliant.

#### Color (CCT and CRI)

- 27K Color temperature 2700°K instead.
- 30K Color temperature 3000°K instead.
- 41K Color temperature 4100°K instead.
- 50K Color temperature 5000°K instead.
- HC 90+ CRI instead. Consult factory.

#### Trim

- 30T White enamel (complete trim).
- 30F White enamel (flange only).
- 32 White oversize trim ring. Specify O.D.
- 35T Silver enamel (complete trim).
- 35F Silver enamel (flange only).
- 37T Dark bronze enamel (complete trim).
- 37F Dark bronze enamel (flange only).
- 38T Black enamel (complete trim).
- 38F Black enamel (flange only).
- 45 Gasket between trim flange and ceiling.
- 70T Clear semi-specular SofTex™ (complete trim).

- 94 Custom color/finish. Specify. Consult factory.
- CF Custom color filter (Rosco). Specify.
- DF Electrically isolated "dead front" gasketed trim.

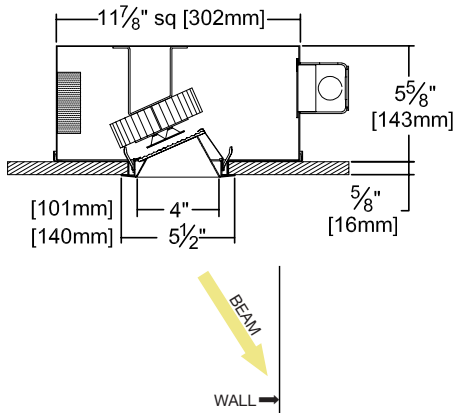
#### Other

- 99 Special modification. Consult factory.
- AT Air tight version. Exceeds ASTM E283 restricted airflow of 2 CFM maximum.
- FS Single in-line fuse. Not for use with Option -EI.
- RH Residential mounting hardware instead. Suitable for wood joist ceilings with spacing from 14 1/8" to 25 7/8" with 5/8" vertical adjustability.

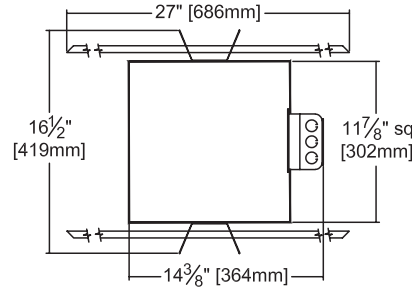
Projected L70** for Kirlin Luminaires	
In Open Plenum	90,000 hours
In Insulation (Type IC)	60,000 hours

\*\* Hours at 70% lumen maintenance

Dimensions



Ceiling  
Cut-out  
5" Dia.



Detailed Photometry - Installed Fixture

Photometric testing done in accordance with IESNA LM-79

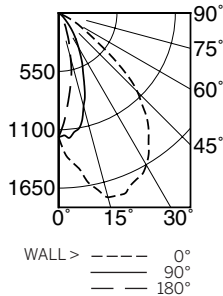
Photometry from I.T.L., Boulder, CO

-1500L STANDARD

Lumens: 1375  
LPW: 66  
Efficiency: 68.0%  
ITL Test: 87229



Total System Watts 20.8



DISTANCE FROM CEILING IN FEET	SINGLE FIXTURE					MULTIPLE FIXTURES					
	1'		2'		3'	2' CENTERS			3' CENTERS		
	1'	2'	1'	2'	3'	1'	2'	3'	1'	2'	3'
1	18.0	3.9	0.8	0.6	0.4	21.9	22.0	22.0	20.2	4.0	20.1
2	93.6	45.9	8.2	1.4	0.5	112.0	112.0	112.0	95.7	43.3	95.7
3	66.3	45.8	16.5	4.3	1.1	102.0	102.0	102.0	75.9	60.3	75.9
4	39.2	31.0	15.7	6.1	2.1	76.3	76.4	76.4	52.4	49.3	52.4
5	23.3	19.7	12.1	6.1	2.7	54.7	54.7	54.7	36.6	36.3	36.6
6	14.9	13.2	9.0	5.3	2.8	40.8	40.8	40.8	27.5	27.1	27.5
7	10.0	9.2	6.8	4.5	2.7	31.8	31.9	31.9	21.1	21.1	21.1
8	7.1	6.7	5.3	3.8	2.5	26.0	26.1	26.0	17.1	17.2	17.1
9	5.5	5.3	4.5	3.4	2.3	22.7	22.8	22.8	14.7	15.1	14.7

LUMEN SERIES	LUMEN FACTOR	WATTAGE FACTOR	LPW FACTOR
-2000L	1.257	1.369	0.92
-1500L	1.000	1.000	1.00
-1000L	0.579	0.495	1.17

LM-80 Qualified • LM-79 Certified Photometry

\* LED manufacturers maintain a tolerance of ±7% on flux (lumens) and power (electrical) measurements. Kirlin photometrics are actual test data from Independent Testing Laboratories (ITL) where photometry was measured from 2022 lumen (-1500L) light engines (within the established tolerance).

SUBMITTAL DATA

JOB NAME

TYPE

CATALOG NUMBER

VOLTAGE

APPROVAL STAMP



LIMITED WARRANTY: CATALOGED KIRLIN FIXTURES ARE WARRANTED FREE OF DEFECTS IN WORKMANSHIP OR MATERIAL FOR FIVE YEARS FROM DATE OF PURCHASE. INSTALLATION TO N.E.C. IN NORMAL USE. Manufacturer at the option will replace or repair such fixture or refund the purchase price on presentation of proof of purchase and defective fixture at the offices of manufacturer within five years of original shipment. Liability of manufacturer is limited to the foregoing, and manufacturer shall not be liable for any other damages, direct or indirect, sustained or suffered by purchaser or any person. This warranty is supplied to the buyer in place of all other warranties, expressed or implied. Seller does not warrant, as to merchantability or fitness for a particular use, nor will any oral statement constitute a warranty or amend this specific warranty. Abnormal use, abuse of the fixture, improper installation, or repair or modification of the fixture without prior written authorization from the manufacturer will render the warranty void.