

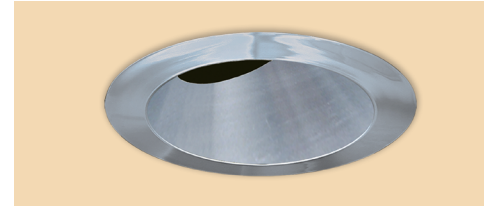
CATALOG #	TYPE	
JOB NAME	WATTAGE	VOLTAGE

Latitudes Series

Open Appearance 4" Adjustable • LED

Up to 90,000 Hour Rated Life • Type IC • AirTight Optional
Wet Listed • LM-79 Certified • LM-80 Qualified

LRR-04022



Specifications

Delivered System Performance

- Nominal Lumens: **Must Specify**

Type IC

-2000L

-1500L

-1000L

- Select trim & beam distribution: see chart
- Select color (CCT): see chart; 80+ CRI standard; Option -HC for 90+ (15% lumen loss)
- 90,000 Hour Rated Life (L70**)

Center Beam Optics

- Self-aligns with trim for optimal performance
- Hot aiming by hand
- Tilts from 0° to 45° and locks in place
- Rotates full 360° and locks in place
- Accommodates sloped ceilings up to 45°

Thermal Management System

- Aluminum heat sink and components for cool operation, long life, and low maintenance

LED Driver - INTERNAL

- Indoor/Outdoor: -30°C to 60°C (-22°F to 140°F)
- 0-10V CCR 10% dimming standard
- 120-277V / 50-60 Hz standard; load insensitive

Trim Assembly

- Clear specular aluminum trim
- Self-flanged, low glare cone with lens above
- Optional colors and finishes available

Acrylic Enameled Aluminum Housing

- Rustproof and corrosion resistant: exceeds 1000 hour ASTM 5% salt spray test
- Shallow depth fits restricted plenums
- Cool operation extends component life
- Modular design; visible and fully serviceable through aperture
- Built-in plaster flange

Outlet Box (Galvanized)

- UL Listed, 14GA, insulated, removable cover
- 1/2" and 3/4" knockouts

Installation & Hardware

- Indoor/outdoor in ceilings up to 1 1/8" thick
- Compatible with fire rated enclosures (by others)
- 27" hanger bars & adjusting brackets (2) supplied

UL, C-UL (Canada) Compliance

- Wet, damp or dry locations, covered ceilings
- Type IC for direct contact with insulation
- Through-branch conductors (4 #12 AWG 90°C) for Type IC Listing

IEC & FCC Compliance

- Meets IEC/EN 60601-1-2 electromagnetic compatibility standard for medical electrical equipment
- FCC Part 15 certified for EMI/RFI emissions

FIVE YEAR Limited Warranty

- Complete standard fixture



Options and Ordering Configuration

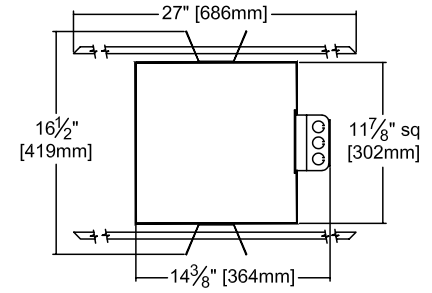
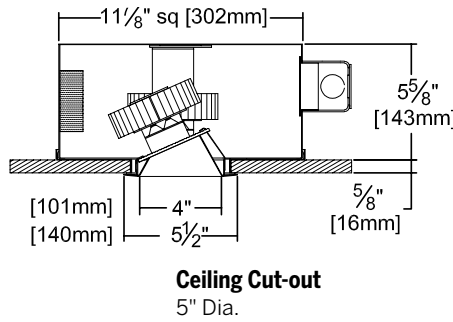
(Example: LRR-04022-1500L-120-MFL-35K-30T-RH-AT)

Must Specify					Optional			
Model	Lumens	Volts	Beam	CCT [†] & CRI	Driver Options	Emergency Options	Trim Options	Other Options
LRR-04002								
	-2000L -1500L -1000L	-120 -277 -97 [†] : Other Voltage	(Blank): NFL -SPT -NFL -MFL	(Blank): 3500°K, 80+ CRI 80+ CRI* -27K: 2700°K -30K: 3000°K -35K: 3500°K -41K: 4000°K -50K: 5000°K *Note: Lumen Factor = 0.93 for -27K 90+ CRI** -27K-HC: 2700°K -30K-HC: 3000°K -35K-HC: 3500°K -41K-HC: 4000°K -50K-HC: 5000°K **Note: Lumen Factor = 0.79 for -27K-HC; All Others = 0.85; consult factory	(Blank): Standard 0-10V CCR 10% dim -D1 [†] : 0-10V 1.0% dim -D2 [†] : 0-10V 0.1% dim -D3 [†] : DALI 1.0% dim -D4 [†] : DALI 100-0.1% dim -D5 [†] : DMX512A 0.1% dim -D40: -40°C (-40°F) driver; 0-10V 10% dim	(Blank): None -EI: Remote emergency inverter for 100% rated lumens; Run time: 90+ minutes; N/A for options -FS, -97 -EM: Internal emergency battery pack; Delivers 500 lumens; Run time: 90+ minutes -ERH: Remote emergency battery pack; Delivers 1000 lumens; CEC Compliant; Run time: 90+ minutes	(Blank): Standard clear specular cone Trim Finishes -30F: White enamel flange (flange only) -30T: White enamel trim (complete trim) -35F: Silver enamel flange (flange only) -35T: Silver enamel trim (complete trim) -37F: Dark bronze enamel flange (flange only) -37T: Dark bronze enamel trim (complete trim) -38F: Black enamel flange (flange only) -38T: Black enamel trim (complete trim) -70T: Clear semi-specular SofTex™ trim -94: Custom color; consult factory Other Trim Features -32: White trim extender, specify OD -45: Gasket between trim & ceiling -CF: Custom color filter (Rosco); Specify -DF: Electrically isolated trim -WA: White acrylic lens, will produce wide flood distribution	(Blank): None Mounting -RH: Joist mounting hardware instead Other Options -99: Special modification; consult factory -AT: Air Tight version; Meets ASTM E283 airflow restriction of 2CFM max -AWN: Athena Wireless Node; N/A for Dimming Options D5, -D40 -DL: Downlight cone instead. Clear specular finish standard or add optional trim selection -FS: Fused primary; One per fixture; N/A for option -EI *Note: For other integrated control solutions, such as nLight, contact factory
Projected L70** for Kirlin Luminaires								
In Open Plenum		90,000 hours						
In Insulation (Type IC)		70,000 hours						
**Hours at 70% lumen maintenance								
		†Consult factory						
		†Consult factory for use with -2000L						

Performance Factors

NOMINAL LUMENS	LUMEN FACTOR	NOMINAL WATTS	LPW FACTOR
-2000L	1.257	28.5	0.92
-1500L	1.00	20.8	1.00
-1000L	.579	10.3	1.17

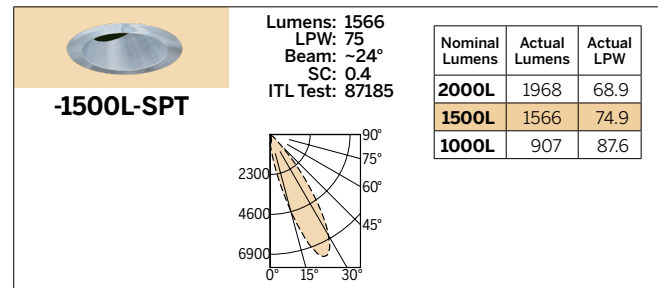
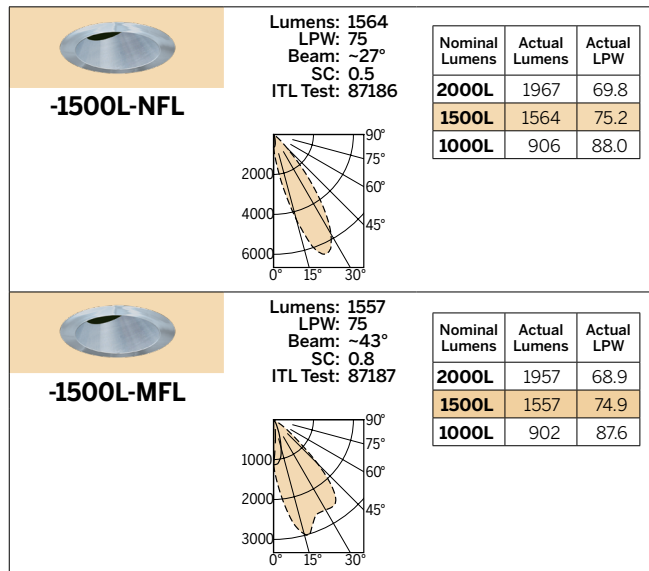
Dimensions



* See notes on page 1 for additional info on Lumen Factors

Photometry - Installed Complete Fixture

LM-79 IESNA Certified Photometry from Independent Lab



LED manufacturers maintain a tolerance of +/-7% on flux (lumens) and power (electrical) measurements.

▲ **Cone of Light Key** **Dist.** Distance (Ft.) from fixture
 Dia. (in ft.) shown is where FC **FC** Footcandles at nadir (0°)
 value is half the FC at nadir. **Dia.** Circle of light at 50% of FC