

CATALOG #	TYPE	
JOB NAME	WATTAGE	VOLTAGE

3" x 5" LED 4 SYSTEM WATTS

LNV-03116

Vandal Resistant LED Mini-Rectangle StepLight

Warm White Standard, Cool White Optional



Specifications

LED

- White module (colored filters optional).
- 3500°K standard.
- 4 system watts - energy efficient, uniform, cool.

LED Power Supply / Driver

- 10 volt DC. Electronically stabilized.
- Minimum operating temperature -13°F (-25°C).
- 120-277 volt standard. Load insensitive.

Lens

- Translucent white 1/8" polycarbonate sealed to trim.

Faceplate

- Rustproof aluminum trim.
- White finish standard. Optional colors.

- Secured to housing with two tamperproof spanner head screws and captive nuts. Tool supplied by others.
- Removable for servicing.

Housing: Shallow 3 1/2" depth

- 2" x 3" x 3 1/2" standard U. L. listed galvanized steel outlet box.

Installation

- Recesses indoors or outdoors, covered locations. Versatile 3 1/2" depth.
- Mounting holes on top and bottom.

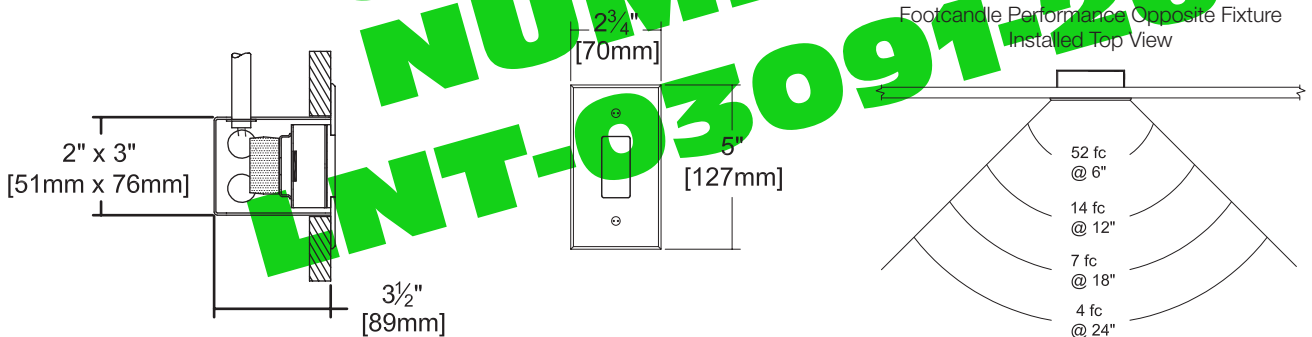
UL C-UL (Canada) Listings

- Damp or dry locations.

5 Year FIVE YEAR Limited Warranty

- Complete standard fixture.

Performance at a Glance



THIS IS PREVIOUSLY AVAILABLE AS
 CATALOG NUMBER
 LNT-03091-26

THE KIRLIN COMPANY

3401 EAST JEFFERSON AVENUE • DETROIT, MICHIGAN 48207-4232
 (313) 259-6400 • Fax: (313) 259-9409 OR (313) 259-3121 • www.kirlinlighting.com

Options

Voltage / Battery Pack

- 97 Other voltage input. Consult factory.
- EI Remote emergency inverter for 100% of rated lumens. Run time: 90+ minutes. 120 or 277V, 60 Hz input only. Specify voltage.

LED Filter Colors

- BL Blue filter.
- GE Green filter.
- OR Orange filter.
- BA Red/Amber filter.
- YE Yellow filter.
- CF Custom color filter (Rosco). Specify.

Faceplate Finishes

- 35 Natural Aluminum (silver) acrylic enamel.
- 37 Dark Bronze acrylic enamel.
- 88 Black acrylic enamel.
- 94 Custom color/finish. Specify. Consult factory.

Other

- 99 Special modification. Consult factory.

THIS PRODUCT IS NOW AVAILABLE AS CATALOG NUMBER LNT-03091-26

SUBMITTAL DATA

APPROVAL STAMP

JOB NAME
 TYPE
 WATTAGE
 CATALOG NUMBER

VOLTAGE

LIMITED WARRANTY: CATALOGUED KIRLIN FIXTURES ARE WARRANTED FREE OF DEFECTS IN WORKMANSHIP OR MATERIAL FOR THREE YEARS FROM DATE OF PURCHASE. INSTALLED TO N.E.C. IN NORMAL USE. Manufacturer at its option will replace or repair each fixture or refund the purchase price on presentation of proof of purchase and defective fixture at the office of manufacturer within three years of original shipment. Liability of manufacturer shall not be liable for any other damages, direct or indirect, sustained or suffered by purchaser or any person. This warranty is supplied in the box in place of all other warranties, expressed or implied. Seller does not warrant as to merchantability or fitness for a particular use, nor will any oral statement constitute a warranty or amend this specific warranty. Abnormal use, abuse of the fixture, improper installation, or repair, or modification of the fixture without prior written authorization from the manufacturer will render the warranty void.