

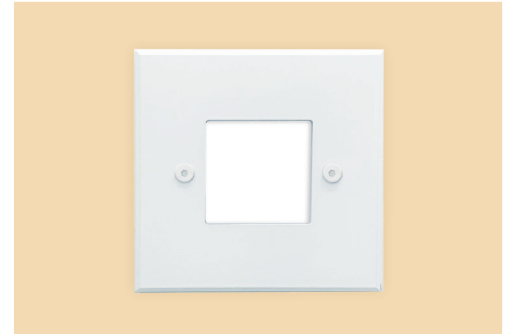
CATALOG #	TYPE	
JOB NAME	WATTAGE	VOLTAGE

Wayfinding Series

Square 5" x 5" Steplight • LED

Mounts in Standard Octagon Outlet Box (Provided)
Fastener Free Available • Type IC • Optional LED Filter Colors

LNS-05086



Specifications

LED

- White module (colored filters optional)
- 3500°K standard
- 4 system watts - energy efficient, uniform, cool

LED Power Supply/Driver

- Max 13 volt DC and 4 watt fixed output; electronically stabilized
- Minimum operating temperature -4°F (-20°C)
- 120-277 volt standard; load insensitive

Lens (Gasketed)

- 2" diameter translucent white 1/8" polycarbonate

Faceplate (Gasketed)

- Gasketed rustproof aluminum trim

- White finish standard; optional colors
- Optional (white only) antimicrobial Kirlin BioGard™ finish; see Option -BG
- Secured to housing with two screws and captive nuts
- For fastener free faceplate, see Option -FF
- Removable for servicing

Housing: Shallow 2 1/4" Depth

- 4" x 2 1/4" standard U. L. listed octagon galvanized steel outlet box

Installation

- Recesses indoor or outdoor, covered locations; versatile 2 1/4" depth
- Mounting holes on top, bottom and ends

UL, C-UL (Canada) Listings

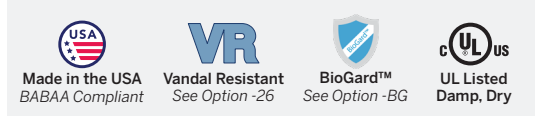
- Damp or dry locations
- Type IC; approved for direct contact with insulation

FIVE YEAR Limited Warranty

- Complete standard fixture

Options and Ordering Configuration

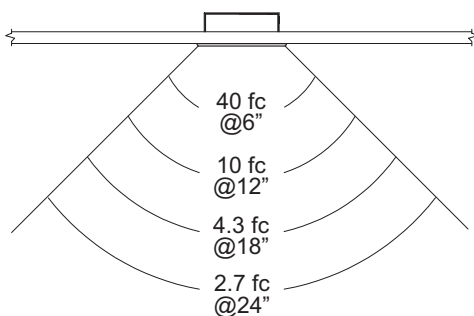
(Example: LNS-05086-BL-37-26)



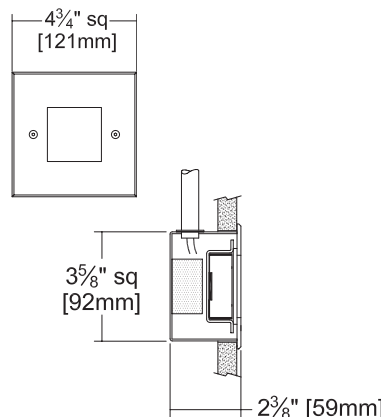
Required	Optional			
Model	Voltage/Battery Pack	Filter Colors	Faceplate Finishes	Other Options
LNS-05086	<p>(Blank): Universal 120-277 V</p> <p>-97: Other voltage input; consult factory</p> <p>-EI: Remote emergency inverter for 100% of rated lumens; Run time: 90+ minutes; 120 or 277V, 60Hz input only; specify voltage</p>	<p>(Blank): None</p> <p>-BL: Blue filter</p> <p>-GE: Green filter</p> <p>-OR: Orange filter</p> <p>-RA: Red/Amber filter</p> <p>-YE: Yellow filter</p> <p>-CF: Custom color filter (Rosco); specify</p>	<p>(Blank): Standard white finish</p> <p>-35: Silver (natural aluminum) acrylic enamel</p> <p>-37: Dark bronze acrylic enamel</p> <p>-38: Black acrylic enamel</p> <p>-94: Custom color; consult factory</p> <p>-BG: BioGard™ anti-microbial white</p>	<p>(Blank): None</p> <p>-26: Faceplate secured to housing with two center pin tamperproof screws; tamperproof tool included</p> <p>-99: Special modification; consult factory</p> <p>-FF: Fastener free faceplate/trim; no visible hardware (UL Damp listed only)</p>

Performance

Footcandle Performance Opposite Fixture Installed Top View



Dimensions



LED Filter Colors

