

CATALOG #	TYPE	
JOB NAME	WATTAGE	VOLTAGE

# Wayfinding Series

## Round 5" Steplight • LED

Mounts in Standard Octagon Outlet Box (Provided)  
Fastener Free Available • Type IC • Optional LED Filter Colors

# LNR-05076



### Specifications

#### LED

- White module (colored filters optional)
- 3500°K standard
- 4 system watts - energy efficient, uniform, cool

#### LED Power Supply/Driver

- Max 13 volt DC and 4 watt fixed output; electronically stabilized
- Minimum operating temperature -4°F (-20°C)
- 120-277 volt standard; load insensitive

#### Lens (Gasketed)

- 2" diameter translucent white 1/8" polycarbonate

#### Faceplate (Gasketed)

- Gasketed rustproof aluminum trim

- White finish standard; optional colors
- Optional (white only) antimicrobial Kirlin BioGard™ finish; see Option -BG
- Secured to housing with two screws and captive nuts
- For fastener free faceplate, see Option -FF
- Removable for servicing

#### Housing: Shallow 2 1/4" Depth

- 4" x 2 1/4" standard U. L. listed octagon galvanized steel outlet box

#### Installation

- Recesses indoor or outdoor, covered locations
- Mounting holes on top, bottom and ends

#### UL, C-UL (Canada) Listings

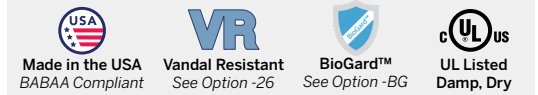
- Damp or dry locations
- Type IC; approved for direct contact with insulation

#### FIVE YEAR Limited Warranty

- Complete standard fixture

## Options and Ordering Configuration

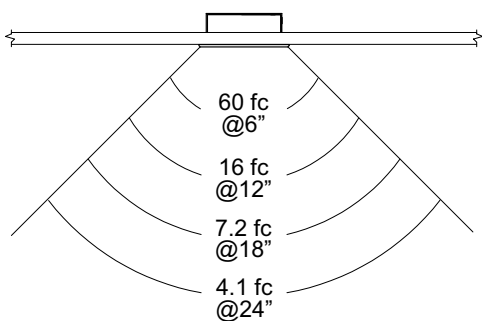
(Example: LNR-05076-BL-37-26)



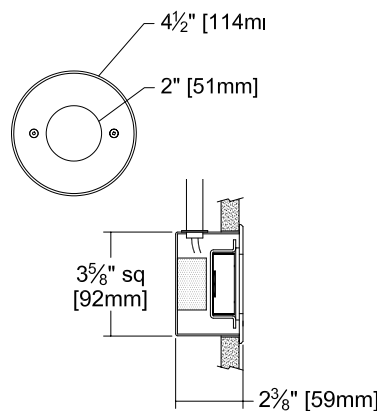
Required	Optional			
Model	Voltage/Battery Pack	Filter Colors	Faceplate Finishes	Other Options
LNR-05076	<p><b>(Blank):</b> Universal 120-277 V</p> <p><b>-97:</b> Other voltage input; consult factory</p> <p><b>-EI:</b> Remote emergency inverter for 100% of rated lumens; Run time: 90+ minutes; 120 or 277V, 60Hz input only; specify voltage</p>	<p><b>(Blank):</b> None</p> <p><b>-BL:</b> Blue filter</p> <p><b>-GE:</b> Green filter</p> <p><b>-OR:</b> Orange filter</p> <p><b>-RA:</b> Red/Amber filter</p> <p><b>-YE:</b> Yellow filter</p> <p><b>-CF:</b> Custom color filter (Rosco); specify</p>	<p><b>(Blank):</b> Standard white finish</p> <p><b>-35:</b> Silver (natural aluminum) acrylic enamel</p> <p><b>-37:</b> Dark bronze acrylic enamel</p> <p><b>-38:</b> Black acrylic enamel</p> <p><b>-BG:</b> BioGard™ anti-microbial white</p> <p><b>-BKBG:</b> BioGard™ anti-microbial black</p> <p><b>-94:</b> Custom color; consult factory</p> <p><b>-94BG:</b> BioGard™ anti-microbial custom color finish</p>	<p><b>(Blank):</b> None</p> <p><b>-26:</b> Faceplate secured to housing with two center pin tamperproof screws; tamperproof tool included</p> <p><b>-99:</b> Special modification; consult factory</p> <p><b>-FF:</b> Fastener free faceplate/trim; no visible hardware (UL Damp Listed only)</p>

### Performance

Footcandle Performance Opposite Fixture Installed Top View



### Dimensions



### LED Filter Colors

