

CATALOG #	TYPE	
JOB NAME	WATTAGE	VOLTAGE

Retrofit Series

8" Square Upgrade Kit • LED • Sustainable

For Existing Kirlin Housings

LM-79 Certified • LM-80 Qualified

LKS-08074



Specifications

Delivered System Performance

- Nominal Lumens: **Must Specify**

Non-IC -6500L

- Select trim & beam distribution: see chart
- Select color (CCT): see chart; 80+ CRI standard; Option -HC for 90+ (15% lumen loss)
- 60,000 hour rated life (L70)

Thermal Management System

- Aluminum heat sink and components for cool operation, long life, and low maintenance

LED Driver - INTERNAL

- Indoor/Outdoor: -30°C to 50°C (-22°F to 122°F)
- 0-10V CCR 10% dimming standard
- 120-277V / 50-60 Hz standard; load insensitive

Trim and Assembly

- Tapered aluminum all white smooth self-flanged flare trim
- Regressed tempered prismatic spread lens

Installation (Indoor or Outdoor)

- Simple, secure retention of entire kit into existing Kirlin recessed housing aperture
- Fully sustainable: Revitalize existing fixtures without disturbing the ceiling

UL, C-UL (Canada) Classified Kit

- Wet, damp or dry locations, covered ceilings, for use in Kirlin fixtures (UL Listed)
- Suitable for all Kirlin housings with a minimum 6.25" depth x 11.75" square size

IEC & FCC Compliance

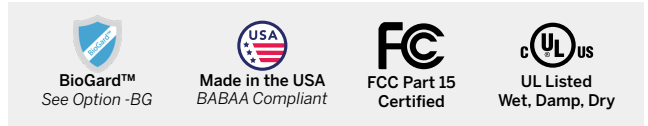
- Meets IEC/EN 60601-1-2 electromagnetic compatibility standard for medical electrical equipment
- FCC Part 15 certified for EMI/RFI emissions

FIVE YEAR Limited Warranty

- Complete kit

Options and Ordering Configuration

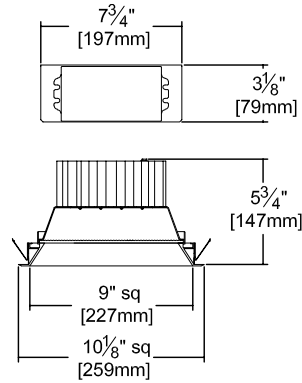
(Example: LKS-08074-6500L-120-NFL-30K-32-45)



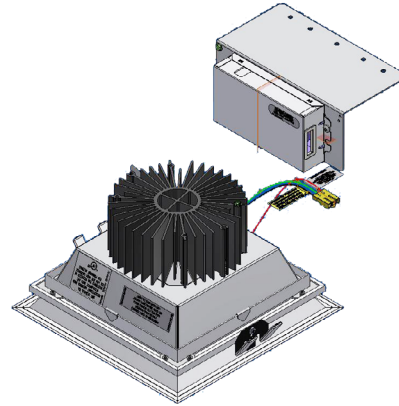
Must Specify					Optional			
Model	Lumens	Volts	Beam	CCT† & CRI	Driver Options	Emergency Options	Trim Options	Other Options
LKS-08074	-6500L	-120 -277 -97†: Other Voltage	(Blank): WFL -NFL -MFL -WFL	(Blank): 3500°K, 80+ CRI 80+ CRI* -27K: 2700°K -30K: 3000°K -35K: 3500°K -41K: 4000°K *Note: Lumen Factor = 0.93 for -27K 90+ CRI** -27K-HC: 2700°K -30K-HC: 3000°K -35K-HC: 3500°K -41K-HC: 4000°K **Note: Lumen Factor = 0.79 for -27K-HC; All Others = 0.85; consult factory	(Blank): Standard 0-10V CCR 10% dim -D1: 0-10V 1.0% dim -D6: Triac (incandescent) dimmer driver instead. 100-10%, 120V only.	(Blank): None -E1: Remote emergency inverter for 100% rated lumens; Run time: 90+ minutes. 120 or 277V, 60 Hz only; specify voltage	(Blank): Standard white trim with prismatic spread lens Trim Finishes -35T: Silver (natural aluminum) acrylic enameled trim -37T: Dark bronze acrylic enameled trim -38T: Black acrylic enameled trim -BG: BioGard™ anti-microbial white -BKBG: BioGard™ anti-microbial black -94: Custom color; consult factory -94BG: BioGard™ anti-microbial custom color finish Other Trim Features -13: Clear poly lens below standard lens. Photometric distribution unaffected -23: Frosted microprismatic lens instead -32: White oversize trim ring. Specify O.D. -45: Gasket between trim flange and ceiling -46: Gasket between trim and lens -CF: Custom color filter (Rosco); Specify -WA: White acrylic (flat) diffuser instead; will produce wide flood distribution	(Blank): None -99: Special modification; consult factory

†Consult factory

Dimensions

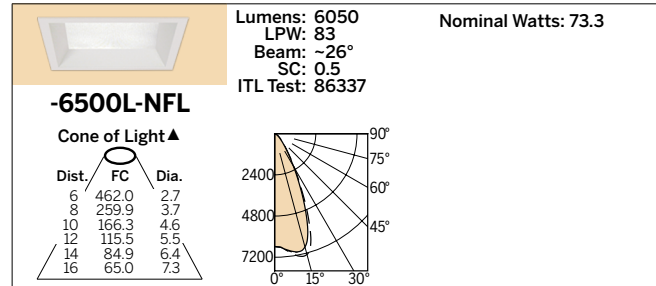
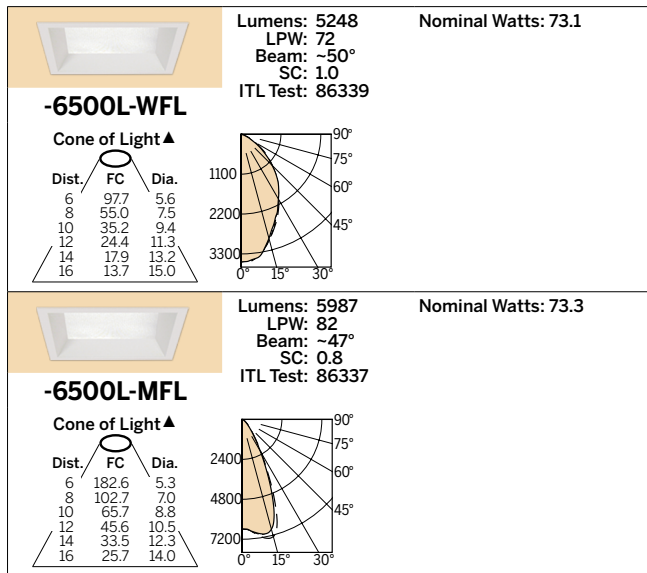


Ceiling Cut-out
8 1/2" Sq.



Photometry - Installed Complete Fixture

LM-79 IESNA Certified Photometry from Independent Lab



* See notes on page 1 for additional info on Lumen Factors

LED manufacturers maintain a tolerance of +/-7% on flux (lumens) and power (electrical) measurements.

LIMITED WARRANTY: CATALOGED KIRLIN FIXTURES ARE WARRANTED FREE OF DEFECTS IN WORKMANSHIP OR MATERIAL FOR FIVE YEARS FROM DATE OF PURCHASE. INSTALLED TO N.E.C. IN NORMAL USE. Manufacturer at his option will replace or repair such fixture or refund the purchase price on presentation of proof of purchase and defective fixture at the offices of manufacturer within the warranty period. Liability of manufacturer is limited to the foregoing and manufacturer shall not be liable for any other damages, direct or indirect, sustained or suffered by purchaser or any person. This warranty is applied to the buyer in place of all other warranties, expressed or implied. Seller does not warrant as to merchantability or fitness for a particular use, nor will any oral statement constitute a warranty or amend this specific warranty. Abnormal use, abuse of the fixture, improper installation, or repair or modification of the fixture without prior written authorization from the manufacturer will render the warranty void.

RETROFIT
NOVEMBER 2024