

CATALOG #	TYPE	
JOB NAME	WATTAGE	VOLTAGE

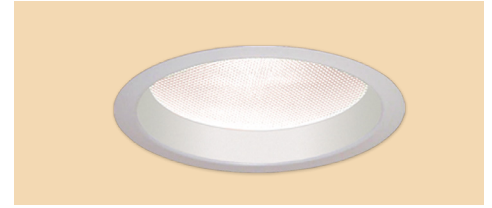
# Retrofit Series

## 8" Downlight Upgrade Kit • LED • Sustainable

For Existing Kirlin Housings

LM-79 Certified • LM-80 Qualified

# LKR-08055



## Specifications

### Delivered System Performance

- Nominal Lumens: **Must Specify**

**Non-IC**  
-5000L  
-3500L

- Select trim & beam distribution: see chart
- Select color (CCT): see chart; 80+ CRI standard; Option -HC for 90+ (15% lumen loss)
- 60,000 hour rated life (L70)

### Thermal Management System

- Aluminum heat sink and components for cool operation, long life, and low maintenance

### LED Driver - INTERNAL

- Indoor/Outdoor: -30°C to 50°C (-22°F to 122°F)
- 0-10V CCR 10% dimming standard
- 120-277V / 50-60 Hz standard; load insensitive

### Trim and Assembly

- Seamless tapered aluminum white self-flanged trim (field paintable) with high efficiency reflector above
- Regressed tempered prismatic spread lens

### Installation (Indoor or Outdoor)

- Simple, secure retention of entire kit into existing Kirlin recessed housing aperture
- Fully sustainable: Revitalize existing fixtures without disturbing the ceiling

### UL, C-UL (Canada) Classified Kit

- Wet, damp or dry locations, covered ceilings, for use in Kirlin fixtures (UL Listed)
- Suitable for all Kirlin housings with a minimum 6.25" depth x 11.75" square size

### IEC & FCC Compliance

- Meets IEC/EN 60601-1-2 electromagnetic compatibility standard for medical electrical equipment
- FCC Part 15 certified for EMI/RFI emissions

### FIVE YEAR Limited Warranty

- Complete kit

## Options and Ordering Configuration

(Example: LKR-08055-5000L-277-WFL-35K-BG)



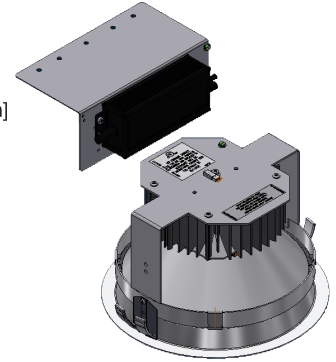
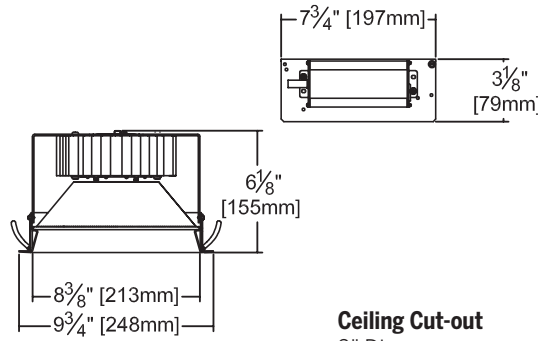
Must Specify					Optional			
Model	Lumens	Volts	Beam	CCT† & CRI	Driver Options	Emergency Options	Trim Options	Other Options
LKR-08055	-5000L -3500L	(Blank): 120-277  -120 -277 -97†: Other Voltage	(Blank): WFL  -NFL -MFL -WFL	(Blank): 3500°K, 80+ CRI  <b>80+ CRI*</b> -27K: 2700°K -30K: 3000°K -35K: 3500°K -41K: 4100°K <b>*Note:</b> Lumen Factor = 0.93 for -27K  <b>90+ CRI**</b> -27K-HC: 2700°K -30K-HC: 3000°K -35K-HC: 3500°K -41K-HC: 4100°K <b>**Note:</b> Lumen Factor = 0.79 for -27K-HC; All Others = 0.85; consult factory	(Blank): Standard 0-10V CCR 10% dim  -D1: 0-10V 1.0% dim  -D6: Triac (incandescent) dimmer driver instead. 100-10%, 120V only.	(Blank): None  -E1: Remote emergency inverter for 100% rated lumens; Run time: 90+ minutes. 120 or 277V, 60 Hz only; specify voltage	(Blank): Standard white trim with prismatic spread lens  <b>Trim Finishes</b> -31: White acrylic enameled flange. For use with optional trim finishes only -35F: Silver enamel (flange only) -35T: Silver enamel (complete trim) -37F: Dark bronze enamel (flange only) -37T: Dark bronze enamel (complete trim) -38F: Black enamel (flange only) -38T: Black enamel (complete trim) -62: Specular clear self-flanged trim instead -94: Custom color; consult factory -BG: Anti-microbial Kirlin BioGard™ white trim finish instead <b>Other Trim Features</b> -13: Clear 1/8" polycarbonate added below standard or any optional flat lens -23: Frosted microprismatic lens instead (0.8 LLF) -32: White oversize trim ring. Specify O.D. -45: Gasket between trim flange and ceiling -46: Gasket between trim and lens -CF: Custom color filter (Rosco); Specify -WA: White acrylic (flat) diffuser instead (0.8 LLF)	(Blank): None  -99: Special modification; consult factory

†Consult factory

## Performance Factors

NOMINAL LUMENS	CFL or MH MEAN LUMENS EQUIVALENT	LUMEN FACTOR	NOMINAL WATTS	LPW FACTOR
-5000L	3x57 W CFL 150W MH	1.00	59.7	1.00
-3500L	2x57 W CFL 3x42W CFL 100W MH	0.802	4.8	1.07

## Dimensions

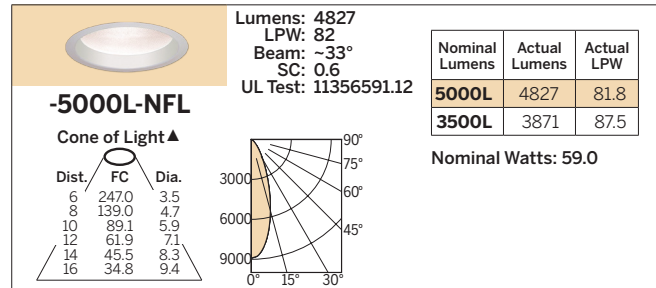
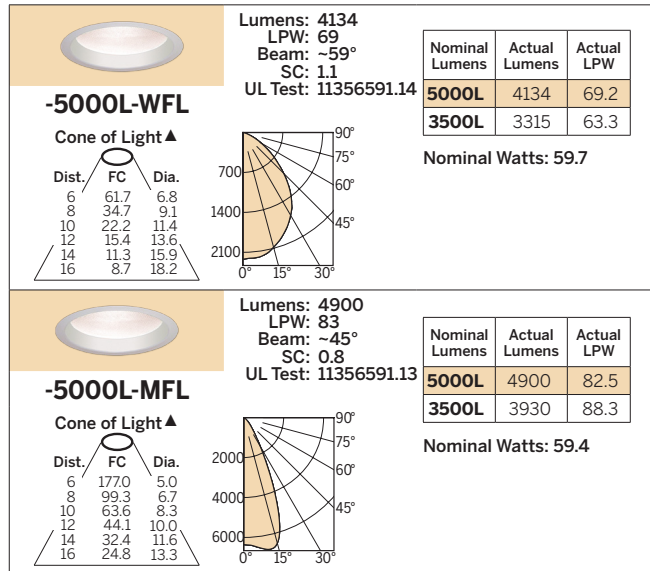


Ceiling Cut-out  
9" Dia.

\* See notes on page 1 for additional info on Lumen Factors

## Photometry - Installed Complete Fixture

LM-79 IESNA Certified Photometry from Independent Lab



LED manufacturers maintain a tolerance of +/-7% on flux (lumens) and power (electrical) measurements.

LIMITED WARRANTY: CATALOGUED KIRLIN FIXTURES ARE WARRANTED FREE OF DEFECTS IN WORKMANSHIP OR MATERIAL FOR FIVE YEARS FROM DATE OF PURCHASE. INSTALLED TO N.E.C. IN NORMAL USE. Manufacturer at its option will replace or repair such fixture or refund the purchase price on presentation of proof of purchase and defective fixture at the offices of manufacturer within the means of original shipment. Liability of manufacturer is limited to the foregoing and manufacturer shall not be liable for any other damages, direct or indirect, sustained or suffered by purchaser or any person. This warranty is applied to the buyer in place of all other warranties, expressed or implied. Seller does not warrant as to merchantability or fitness for a particular use, nor will any oral statement constitute a warranty or amend this specific warranty. Abnormal use, abuse of the fixture, improper installation, or repair or modification of the fixture without prior written authorization from the manufacturer will render the warranty void.