

CATALOG #	TYPE	
JOB NAME	WATTAGE	VOLTAGE

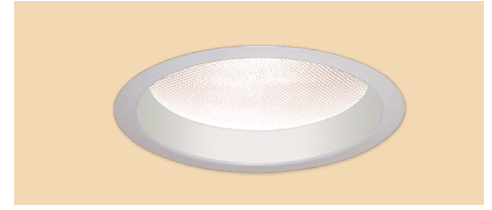
Retrofit Series

6" Downlight Upgrade Kit • LED • Sustainable

For Existing Kirlin Housings

LM-79 Certified • LM-80 Qualified

LKR-06055



Specifications

Delivered System Performance

- Nominal Lumens: **Must Specify**

Non-IC
-5000L
-3500L

- Select trim & beam distribution: see chart
- Select color (CCT): see chart; 80+ CRI standard; Option -HC for 90+ (15% lumen loss)
- 60,000 hour rated life (L70)

Thermal Management System

- Aluminum heat sink and components for cool operation, long life, and low maintenance

LED Driver - INTERNAL

- Indoor/Outdoor: -30°C to 50°C (-22°F to 122°F)
- 0-10V CCR 10% dimming standard
- 120-277V / 50-60 Hz standard; load insensitive

Trim and Assembly

- Seamless tapered aluminum white self-flanged trim (field paintable) with high efficiency reflector above
- Regressed tempered prismatic spread lens

Installation (Indoor or Outdoor)

- Simple, secure retention of entire kit into existing Kirlin recessed housing aperture
- Fully sustainable: Revitalize existing fixtures without disturbing the ceiling

UL, C-UL (Canada) Classified Kit

- Wet, damp or dry locations, covered ceilings, for use in Kirlin fixtures (UL Listed)
- Suitable for all Kirlin housings with a minimum 6.25" depth x 11.75" square size

IEC & FCC Compliance

- Meets IEC/EN 60601-1-2 electromagnetic compatibility standard for medical electrical equipment
- FCC Part 15 certified for EMI/RFI emissions

FIVE YEAR Limited Warranty

- Complete kit

Options and Ordering Configuration

(Example: LKR-06055-3500L-120-NFL-30K-35T)



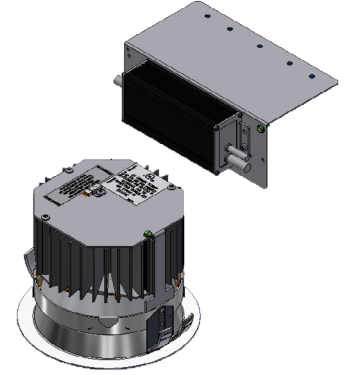
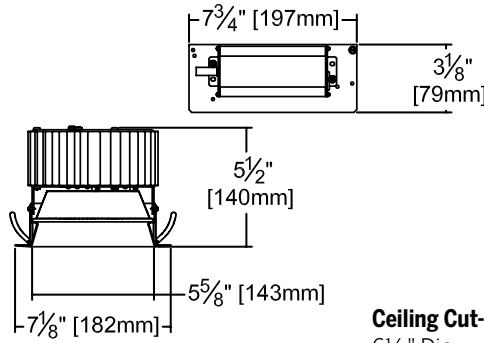
Must Specify					Optional			
Model	Lumens	Volts	Beam	CCT [†] & CRI	Driver Options	Emergency Options	Trim Options	Other Options
LKR-06055	-5000L -3500L	(Blank): 120-277 -120 -277 -97 [†] : Other Voltage	(Blank): WFL -NFL -MFL -WFL	(Blank): 3500°K, 80+ CRI 80+ CRI* -27K: 2700°K -30K: 3000°K -35K: 3500°K -41K: 4000°K 90+ CRI** -27K-HC: 2700°K -30K-HC: 3000°K -35K-HC: 3500°K -41K-HC: 4000°K **Note: Lumen Factor = 0.79 for -27K-HC; All Others = 0.85; consult factory	(Blank): Standard 0-10V CCR 10% dim -D1: 0-10V 1.0% dim -D6: Triac (incandescent) dimmer driver instead. 100-10%, 120V only.	(Blank): None -E1: Remote emergency inverter for 100% rated lumens; Run time: 90+ minutes. 120 or 277V, 60 Hz only; specify voltage	(Blank): Standard white trim with prismatic spread lens Trim Finishes -31: White acrylic enameled flange. For use with optional trim finishes only -35F: Silver enamel (flange only) -35T: Silver enamel (complete trim) -37F: Dark bronze enamel (flange only) -37T: Dark bronze enamel (complete trim) -38F: Black enamel (flange only) -38T: Black enamel (complete trim) -62: Specular clear self-flanged trim instead -BG: BioGard™ anti-microbial white -BKBG: BioGard™ anti-microbial black -94: Custom color; consult factory -94BG: BioGard™ anti-microbial custom color finish Other Trim Features -13: Clear 1/8" polycarbonate added below standard or any optional flat lens -23: Frosted microprismatic lens instead (0.8 LLF) -32: White oversize trim ring. Specify O.D. -45: Gasket between trim flange and ceiling -46: Gasket between trim and lens -CF: Custom color filter (Rosco); Specify -WA: White acrylic (flat) diffuser instead (0.8 LLF)	(Blank): None -99: Special modification; consult factory

[†]Consult factory

Performance Factors

NOMINAL LUMENS	MH or T4 MEAN LUMENS EQUIVALENT	LUMEN FACTOR	NOMINAL WATTS	LPW FACTOR
-5000L	150W MH 500W T4	1.00	60.2	1.00
-3500L	100W MH	0.802	45.2	1.07

Dimensions

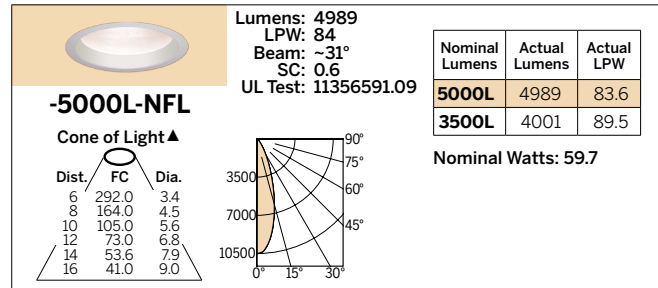
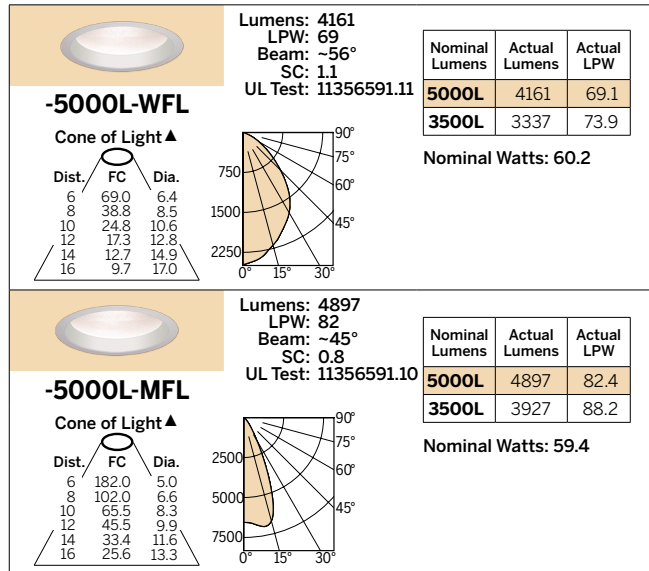


Ceiling Cut-out
6 1/2" Dia.

* See notes on page 1 for additional info on Lumen Factors

Photometry - Installed Complete Fixture

LM-79 IESNA Certified Photometry from Independent Lab



LED manufacturers maintain a tolerance of +/-7% on flux (lumens) and power (electrical) measurements.

LIMITED WARRANTY: CATALOGUED KIRLIN FIXTURES ARE WARRANTED FREE OF DEFECTS IN WORKMANSHIP OR MATERIAL FOR ONE YEAR FROM DATE OF PURCHASE. INSTALLATION, RETROFIT, AND REPAIRS ARE NOT COVERED. THE WARRANTY IS VOID IF THE FIXTURE IS NOT INSTALLED OR REPAIRED BY AN AUTHORIZED KIRLIN LIGHTING DEALER. THE WARRANTY IS VOID IF THE FIXTURE IS USED IN AN APPLICATION NOT INTENDED BY KIRLIN LIGHTING. THE WARRANTY IS VOID IF THE FIXTURE IS MODIFIED OR REPAIRED BY ANY OTHER PERSON. THIS WARRANTY IS APPLIED TO THE BUYER IN PLACE OF ALL OTHER WARRANTIES, EXPRESSED OR IMPLIED. SELLER DOES NOT WARRANT AS TO MERCHANTABILITY OR FITNESS FOR A PARTICULAR USE, NOR WILL ANY ORAL STATEMENT CONSTITUTE A WARRANTY OR AMEND THIS SPECIFIC WARRANTY. ABNORMAL USE, ABUSE OF THE FIXTURE, IMPROPER INSTALLATION, OR REPAIR OR MODIFICATION OF THE FIXTURE WITHOUT PRIOR WRITTEN AUTHORIZATION FROM THE MANUFACTURER WILL RENDER THE WARRANTY VOID.

RETIRED
NOVEMBER 2024