

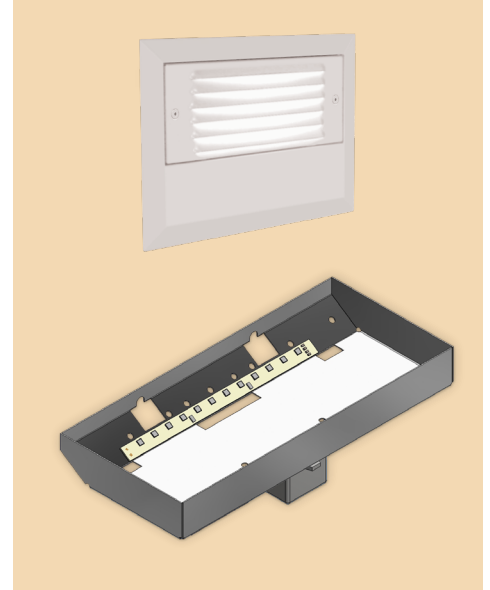
CATALOG #	TYPE	
JOB NAME	WATTAGE	VOLTAGE

# Retrofit Series

## Nightlight Upgrade Kit • LED

For Existing Kirlin Luminaires • Type IC

# LKN-07005



## Specifications

### LED

- White module, mounted to front of specular reflector
- 5.5 system watts - energy efficient, uniform, cool
- 68 lumens typical; 125 lumens with Option -HW

### LED Power Supply/Driver

- Max 13 volt DC and 4 watt fixed output; electronically stabilized. Mounted internally to specular reflector
- Minimum operating temperature -4°F (-20°C)
- 120-277 volt standard; load insensitive

### Installation

- Installs on two mounting studs in original fixture

### UL, C-UL (Canada) Classified Kit

- Type IC, wet, damp or dry locations, covered ceilings, for use in Kirlin Nightlights (UL Listed)

### IEC & FCC Compliance

- Meets IEC/EN 60601-1-2 electromagnetic compatibility standard for medical electrical equipment
- FCC Part 15 certified for EMI/RFI emissions

### FIVE YEAR Limited Warranty

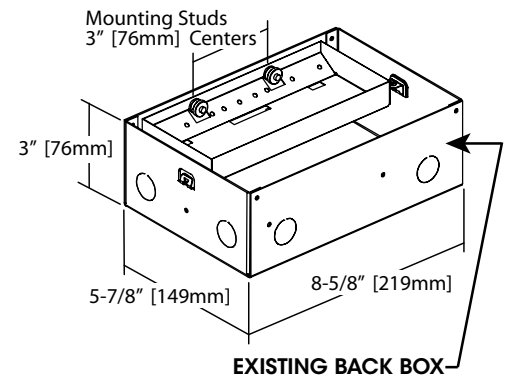
- Complete kit

Note: Faceplate **not** included; see LKN-07101 for Upgrade Kit with faceplate

## Options and Ordering Configuration

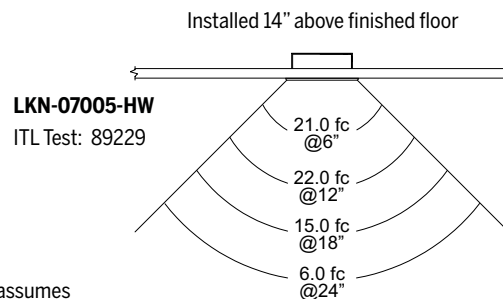
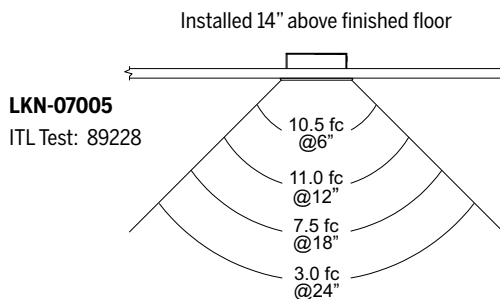
(Example: LKN-07005-HW)

Required	Optional	
Model	Voltage/Battery Pack	Other Options
LKN-07005	(Blank): 120-277V  -HW: Higher light output; approximately doubles light output and system watts	(Blank): None  -99: Special modification; consult factory



## Performance at a Glance

Footcandle Performance On the Floor - Top View  
Photometry from I.T.L., Boulder, CO



Test data shown assumes standard louvered trim