

CATALOG #	TYPE	
JOB NAME	WATTAGE	VOLTAGE

# Latitudes Series LED Lighting

## Cord Mounted 3" x 12" Cylinder

Greater than 50,000 Hour Rated Life • 1% Dimming, 0-10V  
5 CCT • 3-Step Binning • Wet Listed • LM-80 and LM-79 Certified

# LCR-03472



### Specifications

#### Delivered System Performance

- Nominal Lumens: **Must Specify -1500L**
- Select trim & beam distribution: see chart
- Select color (CCT): see chart; 80+ CRI standard; Option -HC for 90+ (15% lumen loss)
- >50,000 Hour Rated Life (L70)

#### Thermal Management System

- All aluminum heat sink and components for cool operation, long life, low maintenance

#### LED Driver - INTERNAL

- Indoor/Outdoor: -30°C to 60°C (-22°F to 140°F)
- 0-10V CCR 10% dimming standard
- 120-277V / 50-60 Hz standard; load insensitive

#### Optic Assembly

- Regressed spread lens

#### Aluminum Housing

- Seamless white acrylic enameled finish
- Rustproof: Exceeds 1000 hour ASTM 5% salt spray test
- No visible cylinder hardware
- Cool operation: Extends life of all components
- Fully sustainable: Entire luminaire
- See Options for additional finishes and mounts

#### Outlet Box

- UL listed junction box, 4" square x 2 1/8" deep
- 1/2" and 3/4" knockouts

#### Installation

- Cord pendant mount; white, or optional black
- 48" standard length or see Option -87
- Mounting plate and hardware furnished

#### UL, C-UL (Canada) Listings

- Cord or pendant (-PM) mount: Damp or dry locations, covered ceilings
- Surface (-SM) mount: Wet, damp or dry locations, covered ceilings
- See LWR-03489 for wall bracket mount wet listing

#### IEC & FCC Compliance

- Meets IEC/EN 60601-1-2 electromagnetic compatibility standard for medical electrical equipment
- FCC Part 15 certified for EMI/RFI emissions

#### FIVE YEAR Limited Warranty

- Complete standard fixture



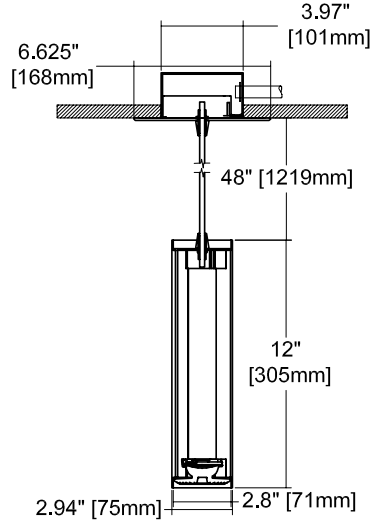
## Options and Ordering Configuration

(Example: LCR-03472-1500L-277-NFL-30K-38)

Must Specify					Optional			
Model	Lumens	Volts	Beam	CCT & CRI	Emergency	Housing Options	Mounting Options	Other Options
LCR-03472	-1500L	-120 -277 -97†: Other Voltage	(Blank): MFL  -SPT -NFL -MFL	(Blank): 3500°K, 80 CRI  <b>80+ CRI*</b> -27K: 2700°K -30K: 3000°K -35K: 3500°K -41K: 4000°K -50K: 5000°K  *Note: Lumen Factor = 0.93 for -27K  <b>90+ CRI**</b> -27K-HC: 2700°K -30K-HC: 3000°K  **Note: Lumen Factor = 0.79 for -27K-HC	(Blank): None  -EI: Remote inverter for 100% rated lumens up to -1500L; 90+ minutes	(Blank): Standard white enamel  -35: Silver enamel finish -37: Dark bronze enamel finish -38: Black enamel finish -94: Custom color/finish; specify; consult factory	(Blank): Standard white cord mounting hardware  -87: Custom cord/wall bracket arm/ pendant length. Specify length -CMB: Black cord mount instead; 48" standard length or see Option -87 -PM: Pendant mount; 1/8" T.S. x 18" rigid stem or see Option -87 for custom pendant length -SM: Surface mount instead -WB: See LWR-03489-DL for wall bracket mount version	(Blank): None  -99: Special modification; consult factory

† Consult factory

# Dimensions



LIMITED WARRANTY: CATALOGED KIRLIN FIXTURES ARE WARRANTED FREE OF DEFECTS IN WORKMANSHIP OR MATERIAL FOR ONE YEAR FROM DATE OF PURCHASE. INSTALLED TO N.E.C. IN NORMAL USE. Manufacturer at the option will replace or repair such fixture or refund the purchase price on presentation of proof of purchase and defective fixture at the offices of manufacturer within one year of original shipment. Liability of manufacturer is limited to the foregoing and manufacturer shall not be liable for any other damages, direct or indirect, sustained or suffered by purchaser or any person. This warranty is applied to the buyer in place of all other warranties, expressed or implied. Seller does not warrant as to merchantability or fitness for a particular use, nor will any oral statement constitute a warranty or amend this specific warranty. Abnormal use, abuse of the fixture, improper installation, or repair or modification of the fixture without prior written authorization from the manufacturer will render the warranty void.

# Photometry - Installed Complete Fixture

Photometry from I.T.L., Boulder, CO

LM-79 IESNA Certified Photometry from Independent Lab

**-1500L (MFL)**

**Cone of Light ▲**

Dist.	FC	Dia.
6	48.5	5.3
8	27.3	7.1
10	17.5	8.8
12	12.1	10.6
14	8.9	12.4
16	6.8	14.1

**Lumens: 1420**    **Nominal Watts: 18.5**  
 LPW: 77  
 Beam: ~48°  
 SC: 0.8  
 ITL Test: 91232

---

**-1500L (NFL)**

**Cone of Light ▲**

Dist.	FC	Dia.
6	147.2	2.8
8	82.8	3.8
10	53.0	4.7
12	36.8	5.7
14	27.0	6.6
16	20.7	7.6

**Lumens: 1413**    **Nominal Watts: 18.5**  
 LPW: 76  
 Beam: 27°  
 SC: 0.4  
 ITL Test: 91231

**-1500L (SPT)**

**Cone of Light ▲**

Dist.	FC	Dia.
6	318.2	1.7
8	179.0	2.3
10	114.6	2.9
12	79.5	3.5
14	58.4	4.0
16	44.7	4.6

**Lumens: 1397**    **Nominal Watts: 18.5**  
 LPW: 76  
 Beam: ~16°  
 SC: 0.3  
 ITL Test: 91230

LED manufacturers maintain a tolerance of +/-7% on flux (lumens) and power (electrical) measurements.

▲ **Cone of Light Key**    **Dist.** Distance (Ft.) from fixture  
 Dia. (in ft.) shown is where FC    **FC** Footcandles at nadir (0°)  
 value is half the FC at nadir.    **Dia.** Circle of light at 50% of FC