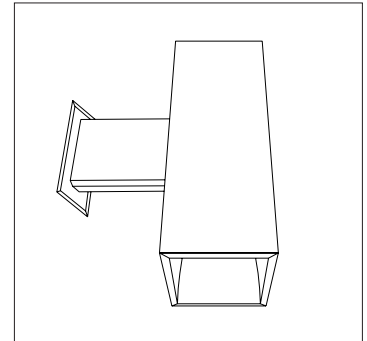


CATALOG #	TYPE	
JOB NAME	WATTAGE	VOLTAGE

7" x 7" 1/1 PAR 38 250/250 WATT MAXIMUM IWS-07117

Open Direct / Indirect Square Wall Mount



Specifications

Lamps / Sockets

- Designed for 1 direct/1 indirect vertical tungsten halogen lamp (by others): 250W/250W maximum PAR 38.
- Rated 4200 hour life; 100 CRI.
- Dimmable (controls by others).
- Glazed porcelain medium base sockets.

Reflectors

- Self-flanged parabolic specular Alzak® aluminum.
- Optional finishes and colors available.

Housing

- Super strong 6063-T6 extruded aluminum and tempered.
- White polyester enamel finish.

- Rustproof and corrosion resistant: Exceeds 1000 hour ASTM 5% salt spray test.

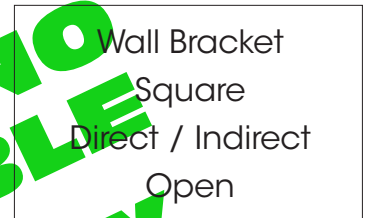
Installation

- Wall bracket extrusion assembled to housing. Wall plate included, for recessed outlet box.
- Mounting hardware included.
- Custom bracket length available. See -87.
- Indoor or outdoor for covered ceiling use. For wet label in uncovered areas, add Option -86.

UL, C-UL (Canada) Listings

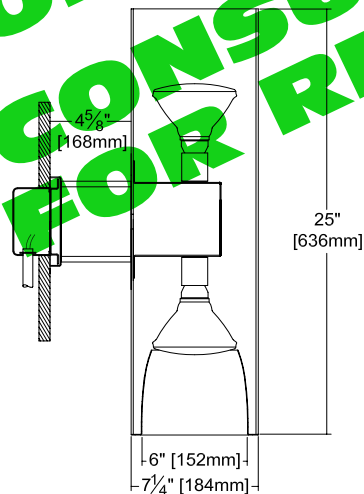
- Damp or dry locations, covered ceilings.
- With Option -86: Wet, damp or dry locations, uncovered areas.
- 90°C minimum supply wire.
- Complete standard fixture.

Three Year Limited Warranty



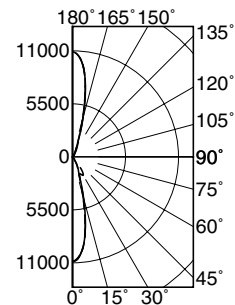
Performance at a Glance

IWS-07117



Exceptional Energy Efficiency

IWS-07117
(250W / 250W Flood)



EFFICIENCY: 87.6%
ITL TEST #59007

THE KIRLIN COMPANY

3401 EAST JEFFERSON AVENUE • DETROIT, MICHIGAN 48207-4232
(313) 259-6400 • Fax: (313) 259-9409 OR (313) 259-3121 • www.kirlinlighting.com

TUNGSTEN HALOGEN & INCANDESCENT LIGHTING

MAXIMUM WATTAGE

250 / 250

CATALOG NUMBER

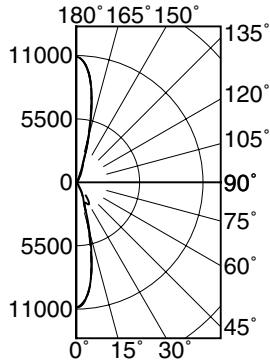
IWS-07117

DUE TO OUR CONTINUING EFFORT TO IMPROVE PRODUCTS, TECHNICAL INFORMATION IS SUBJECT TO CHANGE WITHOUT NOTICE.

Detailed Photometry - Installed Fixture

Photometry from I.T.L., Boulder, CO

IWS-07117 (250 / 250 Watt Flood)



CANDLEPOWER DISTRIBUTION					
	0.0	22.5	45.0	67.5	90.0
0	10839	10839	10839	10839	10839
10	7570	7632	7619	7611	7611
30	792	1004	2206	999	741
50	29	36	34	37	29
70	1	1	1	1	2
90	0	0	0	0	0
110	38	31	28	31	39
130	156	131	94	135	162
150	444	504	755	519	463
170	7592	7981	7928	7946	7995
180	10888	10888	10888	10888	10888

COEFFICIENTS OF UTILIZATION							
RF	20						
RC	80				50		
RW	70	50	30	10	50	30	10
1	89	86	83	81	69	67	66
2	83	79	75	71	64	62	60
3	78	72	66	64	60	57	55
4	74	67	62	58	56	53	50
5	70	62	57	53	53	49	47
6	66	58	53	49	50	46	44
7	63	55	49	46	47	44	41
8	60	51	46	43	45	41	39
9	57	49	44	40	43	39	37
10	54	46	41	38	41	37	35



EFFICIENCY: 87.6%

ITL TEST #59007

Options

Trims - Direct Position Only or See -99

- 16 Champagne Gold specular Alzak reflector. (CP x .98)
- 63 Dune specular Alzak reflector. (CP x .97)
- 69 Wheat specular Alzak reflector. (CP x .97)
- 70 SofTex clear reflector. (CP x .98)
- 71 SofTex Dune reflector. (CP x .95)
- 72 Black specular Alzak reflector. (CP x .87)

Luminaire (Housing) Finishes

- 35 Natural aluminum acrylic enamel.
- 36 Gold acrylic enamel.
- 37 Dark Bronze acrylic enamel.
- 38 Black acrylic enamel.
- 94 Custom color/finish. Specify. Consult factory.

Mounting

- 87 Custom wall bracket length. Specify.

Other

- 86 Prismatic WeatherCap (indirect position) with clear tempered glass lens. Required for wet label.
- 99 Special modification. Consult factory.
- LP With PAR 38 lamps. Specify wattages and beam spreads.

SUBMITTAL DATA

JOB NAME _____
 TYPE _____
 WATTAGE _____ VOLTAGE _____
 CATALOG NUMBER _____

APPROVAL STAMP

LIMITED WARRANTY: CATALOGED KIRLIN FIXTURES ARE WARRANTED FREE OF DEFECTS IN WORKMANSHIP OR MATERIAL FOR THREE YEARS FROM DATE OF PURCHASE. INSTALL TO N.E.C. IN NORMAL USE. Manufacturer of the option will replace or repair such fixture or refund the purchase price on presentation of proof of purchase and defective fixture at the offices of manufacturer within three years of original shipment. Liability of manufacturer is limited to the foregoing and manufacturer shall not be liable for any other damages, direct or indirect, sustained or suffered by purchaser or any person. This warranty is supplied in place of all other warranties, expressed or implied. Seller does not warrant as to merchantability or fitness for a particular use, nor will any oral statement constitute a warranty or amend this specific warranty. Abnormal use, abuse of the fixture, improper installation, or repair or modification of the fixture without prior written authorization from the manufacturer will render the warranty void.