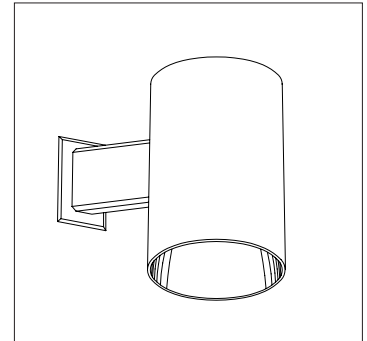


CATALOG #	TYPE	
JOB NAME	WATTAGE	VOLTAGE

9" 1/1 PAR 38 250/250 WATT MAXIMUM IWR-09114

## Direct-Indirect: Stunning Accent Lighting for Atrium, Church, Mall



### Specifications

#### Lamps / Sockets

- Designed for 1 direct/1 indirect tungsten halogen lamp (by others): 250W/250W maximum PAR 38.
- Rated 4200 hour life; 100 CRI.
- Dimmable (controls by others).
- Glazed porcelain medium base sockets.

#### Reflectors

- Self-flanged parabolic specular Alzak® aluminum.
- Optional finishes and colors available.

#### Aluminum Housing

- Seamless white acrylic enameled with wall bracket.
- Rustproof: Exceeds 1000 hour ASTM 5% salt spray test.

- No visible hardware.
- Cool operation: Extends component life.

#### Installation

- Wall bracket extrusion assembled to housing. Wall plate included, for recessed outlet box.
- Mounting hardware included.
- Pendant mount available. (See Option -PM).
- Indoor or outdoor for covered ceiling use. For wet label in uncovered areas, add Option -86.

#### UL, C-UL (Canada) Listings

- Damp or dry locations, covered ceilings.
- With Option -86: Wet, damp or dry locations, uncovered areas.
- 90°C minimum supply wire.

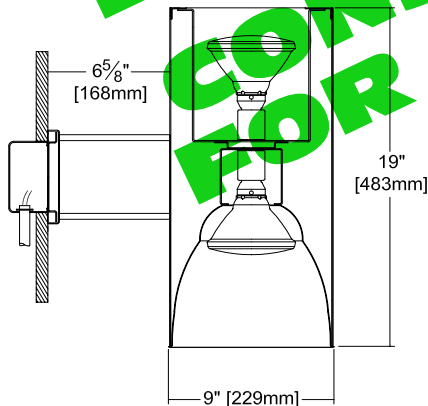
#### Three Year Limited Warranty

- Complete standard fixture.

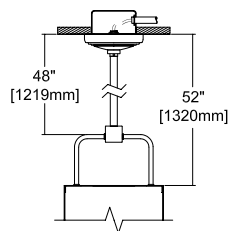


### Performance at a Glance

IWR-09114



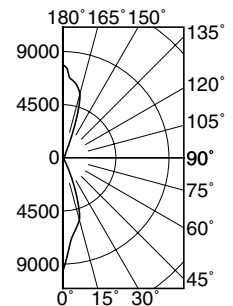
Exceptional Energy Efficiency



Representative View:

(Left) With optional pendant mount (Option -PM)

IWR-09114  
(250W / 250W Flood)



EFFICIENCY: 88.6%  
ITL TEST #47719

## THE KIRLIN COMPANY

3401 EAST JEFFERSON AVENUE • DETROIT, MICHIGAN 48207-4232  
(313) 259-6400 • Fax: (313) 259-9409 OR (313) 259-3121 • www.kirlinlighting.com

TUNGSTEN HALOGEN & INCANDESCENT LIGHTING

MAXIMUM WATTAGE

250 / 250

CATALOG NUMBER

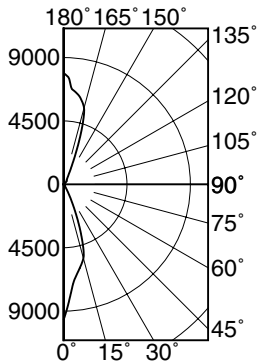
IWR-09114

DUE TO OUR CONTINUING EFFORT TO IMPROVE PRODUCTS, TECHNICAL INFORMATION IS SUBJECT TO CHANGE WITHOUT NOTICE.

Detailed Photometry - Installed Fixture

Photometry from I.T.L., Boulder, CO

IWR-09114 (250 / 250 Watt Flood)



CANDLEPOWER DISTRIBUTION					
	0.0	22.5	45.0	67.5	90.0
0	9628	9628	9628	9628	9628
10	6194	6194	6194	6194	6194
30	525	525	525	525	525
50	27	27	27	27	27
70	9	9	9	9	9
90	0	0	0	0	0
110	30	30	30	30	30
130	159	159	159	159	159
150	562	562	562	562	562
170	6372	6372	6372	6372	6372
180	7910	7910	7910	7910	7910

COEFFICIENTS OF UTILIZATION							
RF	20						
RC	80			50			
RW	70	50	30	10	50	30	10
1	89	86	83	81	67	66	65
2	83	78	74	71	63	60	58
3	78	72	67	63	58	56	53
4	74	67	61	57	55	52	49
5	69	62	56	52	51	48	46
6	66	58	52	48	49	45	43
7	62	54	49	45	46	42	41
8	59	51	46	42	44	40	38
9	56	48	43	39	41	38	36
10	54	45	41	37	40	36	34



EFFICIENCY: 88.6%

NL TEST #47719

Options

Trims - Direct Position Only

- 16 Champagne Gold specular Alzak reflector. (CP x .98)
- 63 Dune specular Alzak reflector. (CP x .97)
- 69 Wheat specular Alzak reflector. (CP x .97)
- 70 SofTex clear reflector. (CP x .98)
- 71 SofTex Dune reflector. (CP x .95)
- 72 Black specular Alzak reflector. (CP x .80)
- 91 SofTex Wheat reflector. (CP x .95)
- 93 Pewter specular Alzak reflector. (CP x .95)
- 94 Custom color/finish. Specify. Consult factory.

- OG OptiGroove black seamless tapered aluminum reflector. White trim, self-flanged. (CP x .82)

Luminaire (Housing) Finishes

- 35 Natural aluminum acrylic enamel.
- 36 Gold acrylic enamel.
- 37 Dark Bronze acrylic enamel.
- 38 Black acrylic enamel.
- 94 Custom color/finish. Specify. Consult factory.

Mounting

- 54 Safety cable through pendant stem and 12" beyond. Use with -PM.
- 87 Custom pendant / wall bracket length. Specify. (Pendant length up to 4' or consult factory.)

- 88 Swivel canopy for sloped ceilings up to 40°. Earthquake rated. Use with Option -PM.
- PM Pendant mount instead for damp or dry locations only. 48" stem plus 4" offset (see diagram). Also see Option -87.

Other

- 86 WeatherCap (indirect position) with clear tempered glass lens. Required for wet label. Not available with Option -PM.
- 99 Special modification. Consult factory.
- LP With PAR 38 lamps. Specify wattages and beam spreads.

SUBMITTAL DATA

JOB NAME \_\_\_\_\_  
 TYPE \_\_\_\_\_  
 WATTAGE \_\_\_\_\_ VOLTAGE \_\_\_\_\_  
 CATALOG NUMBER \_\_\_\_\_

APPROVAL STAMP

LIMITED WARRANTY: CATALOGED KIRLIN FIXTURES ARE WARRANTED FREE OF DEFECTS IN WORKMANSHIP OR MATERIAL FOR THREE YEARS FROM DATE OF PURCHASE. INSTALL TO N.E.C. IN NORMAL USE. Manufacturer of the fixture will replace or repair such fixture or refund the purchase price on presentation of proof of purchase and defective fixture at the offices of manufacturer within three years of original shipment. Liability of manufacturer is limited to the foregoing and manufacturer shall not be liable for any other damages, direct or indirect, sustained or suffered by purchaser or any person. This warranty is subject to the buyer in place of all other warranties, expressed or implied. Seller does not warrant as to merchantability or fitness for a particular use, nor will any oral statement constitute a warranty or amend this specific warranty. Abnormal use, abuse of the fixture, improper installation, or repair or modification of the fixture without prior written authorization from the manufacturer will render the warranty void.

THIS FIXTURE IS NO LONGER AVAILABLE FOR REPLACEMENT CONSULT FACTORY