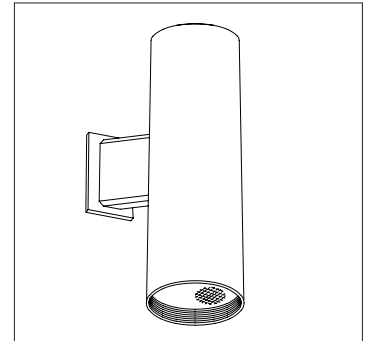


CATALOG #	TYPE	
JOB NAME	WATTAGE	VOLTAGE

6" 1/1 A19 100/100 WATT MAXIMUM

IWR-06146

Direct / Indirect: Indoor or Outdoor



Specifications

Lamps / Sockets

- Designed for 1 direct/1 indirect frosted incandescent lamp (by others): Vertical 100W/100W maximum A19.
- Dimmable (controls by others).
- Glazed porcelain medium base sockets.

Reflectors

- Specular Alzak® aluminum.

Trim Assemblies

- Tapered aluminum one piece black OptiGroove with white flange.
- Regressed prismatic tempered C#73 lens.
- Optional lenses and trims available.

Aluminum Housing

- Seamless white acrylic enameled with wall bracket.

- Rustproof: Exceeds 1000 hour ASTM 5% salt spray test.
- No visible hardware.
- Cool operation: Extends component life.

Installation

- Wall bracket extrusion assembled to housing. Wall plate included, for recessed outlet box.
- Mounting hardware included.
- Indoor or outdoor for covered ceiling use. For wet label in uncovered areas, add Option -86.

UL, C-UL (Canada) Listings

- Wet, damp or dry locations, covered ceilings.
- With Option -86: Wet, damp or dry locations, uncovered areas.
- 90°C minimum supply wire.

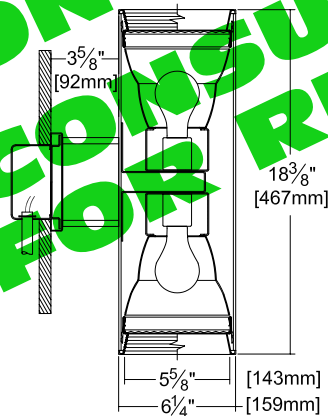
Three Year Limited Warranty

- Complete standard fixture.



Performance at a Glance

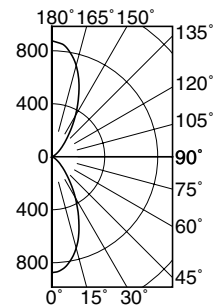
IWR-06146



Option -40 Also Shown

IWR-06146

(100 / 100 Watt)



SC = 0.8

EFFICIENCY: 46.7%

THE KIRLIN COMPANY

3401 EAST JEFFERSON AVENUE • DETROIT, MICHIGAN 48207-4232
(313) 259-6400 • Fax: (313) 259-9409 OR (313) 259-3121 • www.kirlinlighting.com

TUNGSTEN HALOGEN &
INCANDESCENT LIGHTING

MAXIMUM WATTAGE

100 / 100

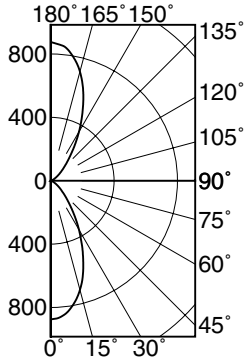
CATALOG NUMBER

IWR-06146

Detailed Photometry - Installed Fixture

Photometry from I.T.L., Boulder, CO

IWR-06146 (100 / 100 Watt)



SC = 0.8
EFFICIENCY: 46.7%

CANDLEPOWER DISTRIBUTION					
	0.0	45.0	90.0	135.0	180.0
0	875	875	875	875	875
5	856	856	856	856	856
15	713	713	713	713	713
25	474	474	474	474	474
35	253	253	253	253	253
45	118	118	118	118	118
55	53	53	53	53	53
65	20	20	20	20	20
75	3	3	3	3	3
85	0	0	0	0	0
90	0	0	0	0	0
95	0	0	0	0	0
105	3	3	3	3	3
115	20	20	20	20	20
125	53	53	53	53	53
135	448	448	448	448	448
145	253	253	253	253	253
155	474	474	474	474	474
165	713	713	713	713	713
175	856	856	856	856	856
180	875	875	875	875	875

THIS FIXTURE IS NO LONGER AVAILABLE CONSULT FACTORY FOR REPLACEMENT

Options

Lenses - Direct Position Only

- 18 Opal flat glass. Not enameled. Diffusing.
- 20 White 1/2" cube eggcrate aluminum louver.
- FR Fresnel tempered glass lens.

Trims - Direct Position Only or See -99

- 40 White grooveless flare trim. (CP x 1.10)

- 45 Gasket between trim and housing.
- 46 Gasket between trim and lens.

Luminaire (Housing) Finishes

- 35 Natural aluminum acrylic enamel.
- 36 Gold acrylic enamel.
- 37 Dark Bronze acrylic enamel.
- 38 Black acrylic enamel.
- 94 Custom color/finish. Specify. Consult factory.

Other

- 86 Lensed WeatherCap (indirect position) with prismatic tempered glass lens. Required for wet label. Not available with Option -PM.
- 99 Special modification. Consult factory.

SUBMITTAL DATA

APPROVAL STAMP

JOB NAME
TYPE
WATTAGE VOLTAGE
CATALOG NUMBER

LIMITED WARRANTY: CATALOGED KIRLIN FIXTURES ARE WARRANTED FREE OF DEFECTS IN WORKMANSHIP OR MATERIAL FOR THREE YEARS FROM DATE OF PURCHASE. INSTALL TO N.E.C. IN NORMAL USE. Manufacturer of the option will replace or repair such fixture or refund the purchase price on presentation of proof of purchase and defective fixture at the offices of manufacturer within three years of original shipment. Liability of manufacturer is limited to the foregoing and manufacturer shall not be liable for any other damages, direct or indirect, sustained or suffered by purchaser or any person. This warranty is supplied in place of all other warranties, expressed or implied. Seller does not warrant as to merchantability or fitness for a particular use, nor will oral statement constitute a warranty or amend this specific warranty. Abnormal use, abuse of the fixture, improper installation, or repair or modification of the fixture without prior written authorization from the manufacturer will render the warranty void.