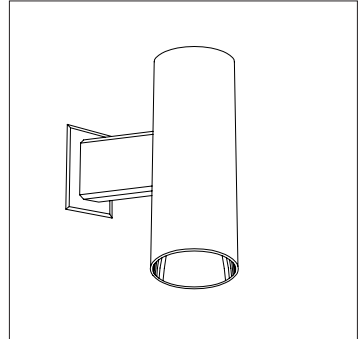


CATALOG #	TYPE	
JOB NAME	WATTAGE	VOLTAGE

6" 1/1 A19 100/100 WATT MAXIMUM

IWR-06145

Direct / Indirect: Dramatic Highlighting



Specifications

Lamps / Sockets

- Designed for 1 direct/1 indirect vertical frosted incandescent lamp (by others): 100W/100W maximum A19.
- Dimmable (controls by others).
- Glazed porcelain medium base sockets.

Reflectors

- Self-flanged compound curved specular Alzak® aluminum.
- Optional finishes and colors available.

Aluminum Housing

- Seamless white acrylic enameled with wall bracket.
- Rustproof: Exceeds 1000 hour ASTM 5% salt spray test.
- No visible hardware.

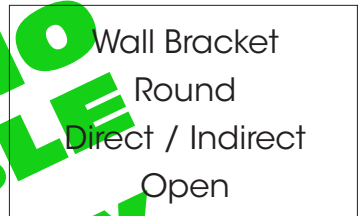
- Cool operation: Extends component life.
- Installation**
- Wall bracket extrusion assembled to housing. Wall plate included, for recessed outlet box.
 - Mounting hardware included.
 - Indoor or outdoor for covered ceiling use. For wet label in uncovered areas, add Option -86.

UL, C-UL (Canada) Listings

- Wet, damp or dry locations, covered ceilings.
- With Option -86: Wet, damp or dry locations, uncovered areas.
- 90°C minimum supply wire.

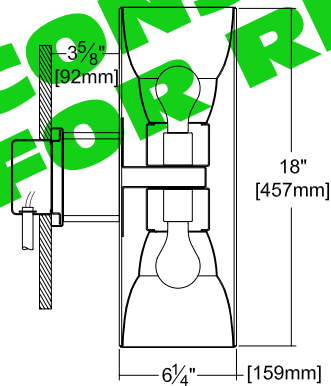
Three Year Limited Warranty

- Complete standard fixture.

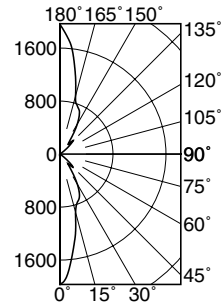


Performance at a Glance

IWR-06145



IWR-06145
(100 / 100 Watt)



SC = 0.5
EFFICIENCY: 64.6%

THE KIRLIN COMPANY

3401 EAST JEFFERSON AVENUE • DETROIT, MICHIGAN 48207-4232
(313) 259-6400 • Fax: (313) 259-9409 OR (313) 259-3121 • www.kirlinlighting.com

TUNGSTEN HALOGEN &
INCANDESCENT LIGHTING

MAXIMUM WATTAGE

100 / 100

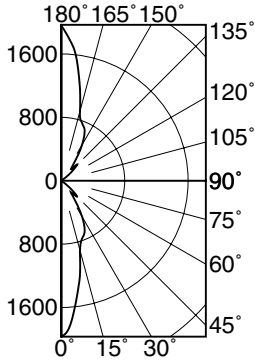
CATALOG NUMBER

IWR-06145

Detailed Photometry - Installed Fixture

Photometry from I.T.L., Boulder, CO

IWR-06145 (100 / 100 Watt)



SC = 0.5
EFFICIENCY: 64.6%

CANDLEPOWER DISTRIBUTION					
	0.0	45.0	90.0	135.0	180.0
0	1958	1958	1958	1958	1958
5	1701	1701	1701	1701	1701
15	908	908	908	908	908
25	696	696	696	696	696
35	295	295	295	295	295
45	281	281	281	281	281
55	9	9	9	9	9
65	2	2	2	2	2
75	0	0	0	0	0
85	0	0	0	0	0
90	0	0	0	0	0
95	0	0	0	0	0
105	0	0	0	0	0
115	2	2	2	2	2
125	9	9	9	9	9
135	291	291	291	291	291
145	295	295	295	295	295
155	696	696	696	696	696
165	908	908	908	908	908
175	1701	1701	1701	1701	1701
180	1958	1958	1958	1958	1958

THIS FIXTURE IS NO LONGER AVAILABLE CONSULT FACTORY FOR REPLACEMENT

Options

Trims - Direct Position Only or See -99

- 16 Champagne Gold specular Alzak reflector. (CP x .93)
- 63 Dune specular Alzak reflector. (CP x .90)
- 69 Wheat specular Alzak reflector. (CP x .88)
- 70 SofTex clear reflector. (CP x .90)
- 71 SofTex Dune reflector. (CP x .81)
- 72 Black specular Alzak reflector. (CP x .87)

- 91 SofTex Wheat reflector. (CP x .80)
- 93 Pewter specular Alzak reflector. (CP x .85)
- 94 Custom color/finish. Specify. Consult factory.

Luminaire (Housing) Finishes

- 35 Natural aluminum acrylic enamel.
- 36 Gold acrylic enamel.
- 37 Dark Bronze acrylic enamel.
- 38 Black acrylic enamel.
- 94 Custom color/finish. Specify. Consult factory.

Mounting

- 87 Custom wall bracket length. Specify length.

Other

- 86 Lensed WeatherCap (indirect position) with clear tempered glass lens. Required for wet label.
- 99 Special modification. Consult factory.

SUBMITTAL DATA

APPROVAL STAMP

JOB NAME _____
 TYPE _____
 WATTAGE _____ VOLTAGE _____
 CATALOG NUMBER _____

LIMITED WARRANTY: CATALOGED KIRLIN FIXTURES ARE WARRANTED FREE OF DEFECTS IN WORKMANSHIP OR MATERIAL FOR THREE YEARS FROM DATE OF PURCHASE. INSTALL TO N.E.C. IN NORMAL USE. Manufacturer of the option will replace or repair such fixture or refund the purchase price on presentation of proof of purchase and defective fixture at the offices of manufacturer within three years of original shipment. Liability of manufacturer is limited to the foregoing and manufacturer shall not be liable for any other damages, direct or indirect, sustained or suffered by purchaser or any person. This warranty is supplied in place of all other warranties, expressed or implied. Seller does not warrant as to merchantability or fitness for a particular use, nor will any oral statement constitute a warranty or amend this specific warranty. Abnormal use, abuse of the fixture, improper installation, or repair or modification of the fixture without prior written authorization from the manufacturer will render the warranty void.