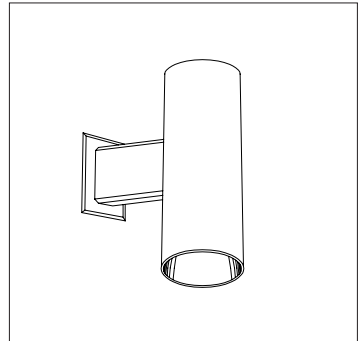


CATALOG #	TYPE	
JOB NAME	WATTAGE	VOLTAGE

6" 1/1 PAR 38 250/120 WATT MAXIMUM IWR-06113

## Direct-Indirect: Stunning Accent Lighting for Atrium, Church, Mall



### Specifications

#### Lamps / Sockets

- Designed for 1 direct/1 indirect vertical tungsten halogen lamp (by others): 250W/120W maximum PAR 38.
- Rated 4200 hour life; 100 CRI.
- Dimmable (controls by others).
- Glazed porcelain medium base sockets.

#### Reflectors

- Self-flanged parabolic specular Alzak® aluminum.
- Optional finishes and colors available.

#### Aluminum Housing

- Seamless white acrylic enameled with wall bracket.
- Rustproof: Exceeds 1000 hour ASTM 5% salt spray test.

- No visible hardware.
- Cool operation: Extends component life.

#### Installation

- Wall bracket extrusion assembled to housing. Wall plate included, for recessed outlet box.
- Mounting hardware included.
- Pendant mount available. (See Option -PM).
- Indoor or outdoor for covered ceiling use. For wet label in uncovered areas, add Option -86.

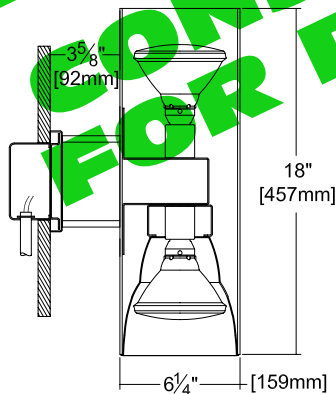
#### UL, C-UL (Canada) Listings

- Damp or dry locations; covered ceilings.
- With Option -86: Wet, damp or dry locations, uncovered areas.
- 90°C minimum supply wire.
- **Three Year Limited Warranty**
- Complete standard fixture.

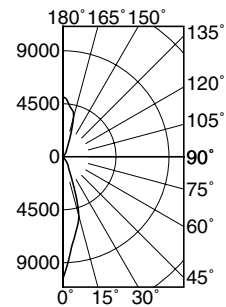


### Performance at a Glance

IWR-06113



IWR-06113  
(250W / 120W Flood)



EFFICIENCY: 92.5%  
ITL TEST #47064

## THE KIRLIN COMPANY

3401 EAST JEFFERSON AVENUE • DETROIT, MICHIGAN 48207-4232  
(313) 259-6400 • Fax: (313) 259-9409 OR (313) 259-3121 • www.kirlinlighting.com

TUNGSTEN HALOGEN &  
INCANDESCENT LIGHTING

MAXIMUM WATTAGE

250 / 120

CATALOG NUMBER

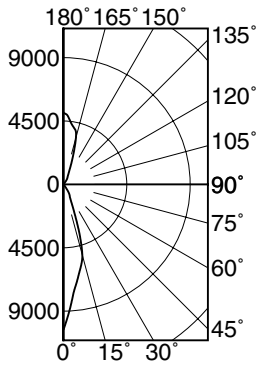
IWR-06113

DUE TO OUR CONTINUING EFFORT TO IMPROVE PRODUCTS, TECHNICAL INFORMATION IS SUBJECT TO CHANGE WITHOUT NOTICE.

Detailed Photometry - Installed Fixture

Photometry from I.T.L., Boulder, CO

IWR-06113 (250 / 120W Flood)



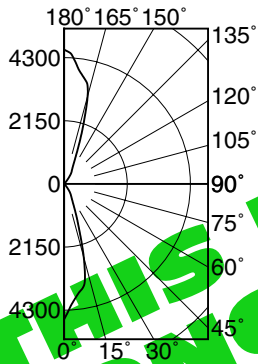
CANDLEPOWER DISTRIBUTION					
	0.0	22.5	45.0	67.5	90.0
0	10327	10327	10327	10327	10327
10	6410	6410	6410	6410	6410
30	875	875	875	875	875
50	38	38	38	38	38
70	0	0	0	0	0
90	0	0	0	0	0
110	0	0	0	0	0
130	29	29	29	29	29
150	586	586	586	586	586
170	4135	4135	4135	4135	4135
180	5086	5086	5086	5086	5086

EFFICIENCY: 92.5%

COEFFICIENTS OF UTILIZATION							
RF	20						
RC	80			50			
RW	70	50	30	10	50	30	10
1	96	93	90	88	77	75	74
2	91	86	82	78	72	70	67
3	85	79	75	71	68	65	62
4	81	74	69	65	64	60	58
5	77	69	64	60	60	57	54
6	73	65	60	56	57	53	51
7	69	61	56	52	54	51	48
8	66	58	53	49	52	48	45
9	63	55	50	46	49	46	43
10	61	52	47	44	47	44	41

ITL TEST #47064

IWR-06113 (120 / 120W Flood)



CANDLEPOWER DISTRIBUTION					
	0.0	22.5	45.0	67.5	90.0
0	4613	4613	4613	4613	4613
10	3610	3610	3610	3610	3610
30	482	482	482	482	482
50	22	22	22	22	22
70	0	0	0	0	0
90	0	0	0	0	0
110	0	0	0	0	0
130	26	26	26	26	26
150	527	527	527	527	527
170	3718	3718	3718	3718	3718
180	4572	4572	4572	4572	4572

EFFICIENCY: 92.0%

COEFFICIENTS OF UTILIZATION							
RF	20						
RC	80			50			
RW	70	50	30	10	50	30	10
1	92	89	86	84	70	68	67
2	86	81	77	73	66	62	60
3	81	74	69	65	60	57	55
4	76	68	63	59	56	53	50
5	72	63	58	54	53	49	46
6	67	59	53	49	49	46	43
7	64	55	49	45	47	43	40
8	61	52	46	42	44	40	38
9	58	49	43	40	42	38	36
10	55	46	41	37	40	36	34

ITL TEST #47065

Options

Trims - Direct Position Only

- 16 Champagne Gold specular Alzak reflector. (CP x .98)
- 63 Dune specular Alzak reflector. (CP x .97)
- 69 Wheat specular Alzak reflector. (CP x .97)
- 70 SofTex clear reflector. (CP x .98)
- 71 SofTex Dune reflector. (CP x .95)
- 72 Black specular Alzak reflector. (CP x .80)
- 91 SofTex Wheat reflector. (CP x .95)

- 93 Pewter specular Alzak reflector. (CP x .95)
- 94 Custom color/finish. Specify. Consult factory.
- OG OptiGroove black seamless tapered aluminum reflector. White trim, self-flanged. (CP x .82)

Luminaire (Housing) Finishes

- 35 Natural aluminum acrylic enamel.
- 36 Gold acrylic enamel.
- 37 Dark Bronze acrylic enamel.
- 38 Black acrylic enamel.
- 94 Custom color/finish. Specify. Consult factory.

Mounting

- 87 Custom wall bracket length. Specify.

Other

- 86 WeatherCap (indirect position) with clear tempered glass lens. Required for wet label. Not available with Option -PM.
- 99 Special modification. Consult factory.
- LP With PAR 38 lamps. Specify wattages and beam spreads.

SUBMITTAL DATA

JOB NAME \_\_\_\_\_  
 TYPE \_\_\_\_\_  
 WATTAGE \_\_\_\_\_ VOLTAGE \_\_\_\_\_  
 CATALOG NUMBER \_\_\_\_\_

APPROVAL STAMP

LIMITED WARRANTY: CATALOGED KIRLIN FIXTURES ARE WARRANTED FREE OF DEFECTS IN WORKMANSHIP OR MATERIAL FOR THREE YEARS FROM DATE OF PURCHASE. INSTALL TO N.E.C. IN NORMAL USE. Manufacturer of the option will replace or repair such fixture or refund the purchase price on presentation of proof of purchase and defective fixture at the office of manufacturer within three years of original shipment. Liability of manufacturer is limited to the foregoing and manufacturer shall not be liable for any other damages, direct or indirect, sustained or suffered by purchaser or any person. This warranty is supplied to the buyer in place of all other warranties, expressed or implied. Seller does not warrant as to merchantability or fitness for a particular use, nor will any oral statement constitute a warranty or amend the specific warranty. Abnormal use, abuse of the fixture, improper installation, or repair or modification of the fixture without prior written authorization from the manufacturer will render the warranty void.