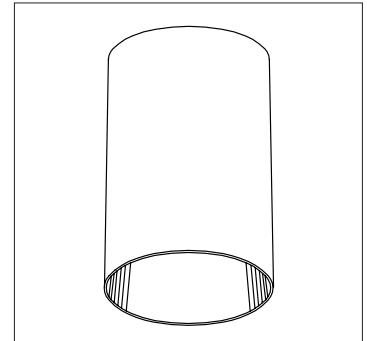


| | | |
|-----------|---------|---------|
| CATALOG # | TYPE | |
| JOB NAME | WATTAGE | VOLTAGE |

12" 1 PAR 38 250 WATT MAXIMUM

ISR-12108

Surface, Pendant or Wall Bracket PAR 38



Surface Round
Open
Single Reflector

Specifications

Lamp / Socket

- Designed for 1 vertical tungsten halogen lamp (by others): 250W maximum PAR 38.
- Rated 4200 hour life; 100 CRI.
- Dimmable (controls by others).
- Glazed porcelain medium base.

Reflector

- Self-flanged parabolic specular Alzak® aluminum.
- Optional finishes and colors available.

Aluminum Housing

- Seamless white acrylic enameled. Rustproof: Exceeds 1000 hour ASTM 5% salt spray test.
- No visible cylinder hardware.
- Lightweight: Minimizes ceiling load.

- Cool operation: Extends component life.

Installation

- Center point mounting for snug fit to ceiling. Mounting hardware included.
- 2" collar for surface J-box mount (Option -80).
- Pendant or wall bracket mount available. (See Options -PM, -WB).
- Indoor or outdoor for covered ceiling use. For wet label in uncovered areas, add Option -89.

UL, C-UL (Canada) Listings

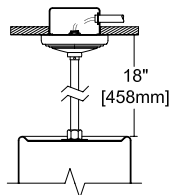
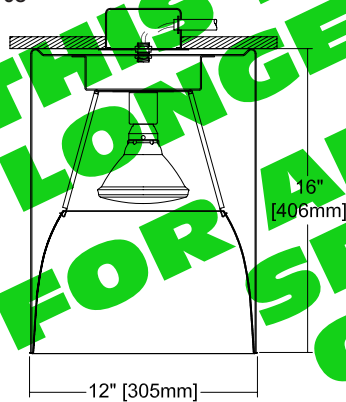
- Wet, damp or dry locations, covered ceilings.
- With Option -89: Wet, damp or dry locations, uncovered areas.
- 90°C minimum supply wire.

Three Year Limited Warranty

- Complete standard fixture.

Performance at a Glance

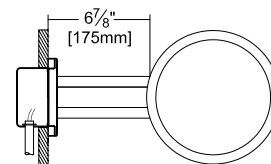
ISR-12108



Representative Views:

(Left) With optional pendant mount (Option -PM)

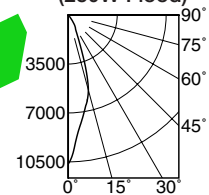
(Right) With optional wall bracket (Option -WB)



Cone of Light Key
Ft. Distance from fixture
FC Footcandles at nadir (0°)
Dia. Circle of light at 50% of FC

* Dia. (in ft.) shown is where FC value is half the FC at nadir.

ISR-12108
(250W Flood)



SC = 0.5
EFFICIENCY: 93.4%
ITL TEST #47044

Cone of Light*

| Dist. | FC | Dia. |
|-------|-------|------|
| 6 | 295.7 | 3.0 |
| 8 | 166.3 | 4.0 |
| 10 | 106.4 | 5.0 |
| 12 | 73.9 | 6.0 |
| 14 | 54.3 | 7.0 |
| 16 | 41.6 | 8.0 |

THIS FIXTURE IS NO LONGER AVAILABLE FOR AN ALTERNATIVE SEE ISR-06106 OR ISR-09107

THE KIRLIN COMPANY

3401 EAST JEFFERSON AVENUE • DETROIT, MICHIGAN 48207-4232
(313) 259-6400 • Fax: (313) 259-9409 OR (313) 259-3121 • www.kirlinlighting.com

TUNGSTEN HALOGEN &
INCANDESCENT LIGHTING

MAXIMUM WATTAGE

250

CATALOG NUMBER

ISR-12108

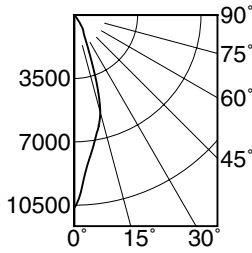
DUE TO OUR CONTINUING EFFORT TO IMPROVE PRODUCTS, TECHNICAL INFORMATION IS SUBJECT TO CHANGE WITHOUT NOTICE.

Alzak® is a registered trademark of ALCOA.

Detailed Photometry - Installed Fixture

Photometry from I.T.L., Boulder, CO

ISR-12108 (250 Watt Flood)



SC = 0.5
EFFICIENCY: 93.4%

| CANDLEPOWER DISTRIBUTION | | | | | |
|--------------------------|-------|-------|-------|-------|-------|
| | 0.0 | 22.5 | 45.0 | 67.5 | 90.0 |
| 0 | 16044 | 16044 | 16044 | 16044 | 16044 |
| 5 | 8324 | 8324 | 8324 | 8324 | 8324 |
| 15 | 5554 | 5554 | 5554 | 5554 | 5554 |
| 25 | 1437 | 1437 | 1437 | 1437 | 1437 |
| 35 | 542 | 542 | 542 | 542 | 542 |
| 45 | 61 | 61 | 61 | 61 | 61 |
| 55 | 55 | 55 | 55 | 55 | 55 |
| 65 | 24 | 24 | 24 | 24 | 24 |
| 75 | 10 | 10 | 10 | 10 | 10 |
| 85 | 0 | 0 | 0 | 0 | 0 |
| 90 | 0 | 0 | 0 | 0 | 0 |

| COEFFICIENTS OF UTILIZATION | | | | | | | |
|-----------------------------|-----|-----|-----|-----|-----|----|----|
| RF | 20 | | | | | | |
| RC | 80 | | | | 50 | | |
| RW | 70 | 50 | 30 | 10 | 50 | 30 | 10 |
| 1 | 108 | 106 | 103 | 102 | 100 | 98 | 97 |
| 2 | 103 | 100 | 96 | 93 | 95 | 92 | 90 |
| 3 | 99 | 94 | 90 | 87 | 91 | 87 | 85 |
| 4 | 95 | 89 | 85 | 82 | 87 | 83 | 80 |
| 5 | 92 | 85 | 81 | 77 | 83 | 79 | 76 |
| 6 | 88 | 81 | 77 | 73 | 79 | 76 | 73 |
| 8 | 85 | 78 | 73 | 70 | 76 | 72 | 69 |
| 9 | 82 | 75 | 70 | 67 | 73 | 69 | 66 |
| 10 | 79 | 72 | 67 | 64 | 71 | 67 | 64 |
| 10 | 77 | 69 | 65 | 62 | 68 | 64 | 61 |

ITL TEST #47044

Options

Wattage and Voltage

- 58 277/120 volt stepdown transformer for 277 volt line input, prewired into fixture.

Trims

- 16 Champagne Gold specular Alzak reflector. (CP x .98)
- 30 All white reflector. (CP x .98)
- 63 Dune specular Alzak reflector. (CP x .97)
- 69 Wheat specular Alzak reflector. (CP x .97)
- 70 SofTex clear reflector. (CP x .98)
- 71 SofTex Dune reflector. (CP x .95)
- 72 Black specular Alzak reflector. (CP x .80)
- 91 SofTex Wheat reflector. (CP x .95)
- 93 Pewter specular Alzak reflector. (CP x .95)
- 94 Custom color/finish. Specify. Consult factory.

- OG OptiGroove black seamless tapered aluminum reflector. White trim, self-flanged. (CP x .82)

Luminaire (Housing) Finishes

- 35 Natural aluminum acrylic enamel.
- 36 Gold acrylic enamel.
- 37 Dark Bronze acrylic enamel.
- 38 Black acrylic enamel.
- 94 Custom color/finish. Specify. Consult factory.

Mounting

- 54 Safety cable through pendant stem and 12" beyond. Use with -PM.
- 80 2" collar for mounting beneath surface outlet box. 1/2" T.S. KO's.
- 87 Custom pendant / wall bracket length. Specify. (Pendant length up to 4' or consult factory.) Use with Options -PM or -WB.

- 88 Swivel canopy for sloped ceilings up to 40°. Earthquake rated. Use with -PM.
- 89 Sealed top WeatherCap. Must add to Options -PM and -WB for wet label listing.
- PM Pendant mount. 3/8" T.S. x 18" stem or see Option -87. Must add Option -89 for wet label listing. Also see -88.
- QM QuickConnect mount for indoor (damp or dry) use only.
- WB Wall bracket mount. Must add Option -89 for wet label listing.

Other

- 99 Special modification. Consult factory.
- LP With PAR 38 lamp. Specify wattage and beam spread.

SUBMITTAL DATA

APPROVAL STAMP

JOB NAME

TYPE

WATTAGE

VOLTAGE

CATALOG NUMBER

LIMITED WARRANTY: CATALOGED KIRLIN FIXTURES ARE WARRANTED FREE OF DEFECTS IN WORKMANSHIP OR MATERIAL FOR THREE YEARS FROM DATE OF PURCHASE. INSTALL TO N.E.C. IN NORMAL USE. Manufacturer of the option will replace or repair such fixture or refund the purchase price on presentation of proof of purchase and defective fixture at the offices of manufacturer within three years of original shipment. Liability of manufacturer is limited to the foregoing and manufacturer shall not be liable for any other damages, direct or indirect, sustained or suffered by purchaser or any person. This warranty is supplied in place of all other warranties, expressed or implied. Seller does not warrant as to merchantability or fitness for a particular use, nor will any oral statement constitute a warranty or amend this specific warranty. Abnormal use, abuse of the fixture, improper installation, or repair/modification of the fixture without prior written authorization from the manufacturer will render the warranty void.

THIS FIXTURE IS NO LONGER AVAILABLE FOR AN ALTERNATIVE SEE ISR-06106 OR ISR-09107