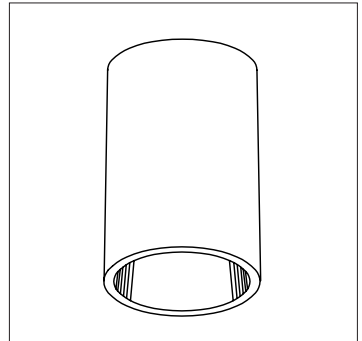


CATALOG #	TYPE	
JOB NAME	WATTAGE	VOLTAGE

9" 1 A23 200 WATT MAXIMUM

ISR-09140

Seamless Cylinder: Surface, Pendant, or Wall Bracket Mount



Surface Round
Open
Single Reflector

Specifications

Lamp / Socket

- Designed for one vertical frosted incandescent lamp (by others): 200W maximum A23.
- Dimmable (controls by others).
- Glazed porcelain medium base socket.

Reflector

- Self-flanged compound curved specular Alzak® aluminum.
- Optional reflector finishes and colors available.

Aluminum Housing

- Seamless white acrylic enameled. Rustproof: Exceeds 1000 hour ASTM 5% salt spray test.
- No visible cylinder hardware.

- Lightweight: Minimizes ceiling load.
- Cool operation: Extends component life.

Installation

- Center point mounting for snug fit to ceiling. Mounting hardware included.
- 2" collar for surface J-box mount (Option -80).
- Pendant or wall bracket mount available. (See Options -PM, -WB).
- Indoor or outdoor for covered ceiling use. For wet label in uncovered areas, add Option -89.

UL, C-UL (Canada) Listings

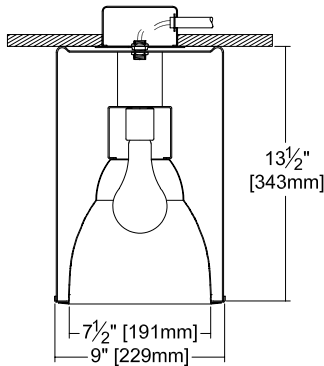
- Wet, damp or dry locations, covered ceilings.
- With Option -89: Wet, damp or dry locations, uncovered areas.
- 90°C minimum supply wire.

Three Year Limited Warranty

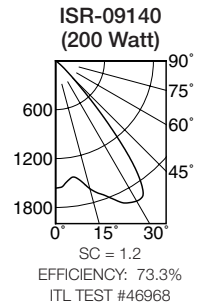
- Complete standard fixture.

Performance at a Glance

ISR-09140

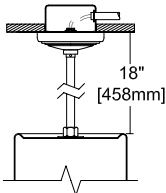


Exceptional
Energy
Efficiency



Cone of Light Key
Ft. Distance from fixture
FC Footcandles at nadir (0°)
Dia. Circle of light at 50% of FC

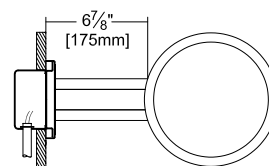
* Dia. (in ft.) shown is where FC value is half the FC at nadir.



Representative Views:

(Left) With optional pendant mount (Option -PM)

(Right) With optional wall bracket (Option -WB)



Cone of Light*

Dist.	FC	Dia.
6	43.4	9.1
8	24.4	12.1
10	15.6	15.1
12	10.9	18.2
14	8.0	21.2
16	6.1	24.2

THE KIRLIN COMPANY

3401 EAST JEFFERSON AVENUE • DETROIT, MICHIGAN 48207-4232
(313) 259-6400 • Fax: (313) 259-9409 OR (313) 259-3121 • www.kirlinlighting.com

TUNGSTEN HALOGEN &
INCANDESCENT LIGHTING

MAXIMUM WATTAGE

200

CATALOG NUMBER

ISR-09140

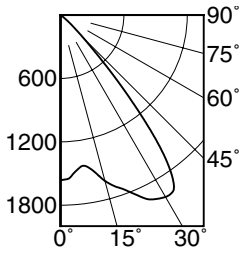
DUE TO OUR CONTINUING EFFORT TO IMPROVE PRODUCTS, TECHNICAL INFORMATION IS SUBJECT TO CHANGE WITHOUT NOTICE.

Alzak® is a registered trademark of ALCOA.

Detailed Photometry - Installed Fixture

Photometry from I.T.L., Boulder, CO

ISR-09140 (200 Watt)



SC = 1.2
EFFICIENCY: 73.3%

CANDLEPOWER DISTRIBUTION					
	0.0	22.5	45.0	67.5	90.0
0	1563	1563	1563	1563	1563
5	1497	1497	1497	1497	1497
15	1625	1625	1625	1625	1625
25	1919	1919	1919	1919	1919
35	1828	1828	1828	1828	1828
45	311	311	311	311	311
55	15	15	15	15	15
65	5	5	5	5	5
75	2	2	2	2	2
85	1	1	1	1	1
90	0	0	0	0	0

COEFFICIENTS OF UTILIZATION							
RF	20						
RC	80				50		
RW	70	50	30	10	50	30	10
1	83	80	78	77	76	74	73
2	78	74	71	68	70	68	66
3	73	68	64	61	65	62	59
4	69	63	58	55	60	57	54
5	65	58	53	50	56	52	49
6	61	53	49	45	52	48	44
7	57	49	44	41	48	44	41
8	54	46	41	37	45	40	37
9	51	43	38	34	41	37	34
10	48	40	35	32	39	34	31

ITL TEST #46968

Options

Wattage and Voltage

- 58 277/120 volt stepdown transformer for 277 volt line input, prewired into fixture.

Trims

- 16 Champagne Gold specular Alzak reflector. (CP x .93)
- 31 White flange (only) on self-flanged reflector.
- 63 Dune specular Alzak reflector. (CP x .90)
- 69 Wheat specular Alzak reflector. (CP x .88)
- 70 SofTex clear reflector. (CP x .90)
- 71 SofTex Dune reflector. (CP x .81)
- 91 SofTex Wheat reflector. (CP x .80)
- 93 Pewter specular Alzak reflector. (CP x .85)
- 94 Custom color/finish. Specify. Consult factory.
- OG OptiGroove black seamless tapered aluminum reflector. White trim, self-flanged. (CP x .75)

Luminaire (Housing) Finishes

- 35 Natural aluminum acrylic enamel.
- 37 Dark Bronze acrylic enamel.
- 38 Black acrylic enamel.
- 94 Custom color/finish. Specify. Consult factory.

Mounting

- 54 Safety cable through pendant stem and 12" beyond. Use with -PM.
- 80 2" collar for mounting beneath surface outlet box. 1/2" T.S. KO's.
- 87 Custom pendant length. Specify. (Pendant length up to 4' or consult factory.) Use with Option -PM.
- 88 Swivel canopy for sloped ceilings up to 40°. Earthquake rated. Use with -PM.

- 89 Sealed top WeatherCap. Must add to Options -PM and -WB for wet label listing.
- PM Pendant mount. 3/8" T.S. x 18" stem or see Option -87. Must add Option -89 for wet label listing. Also see -88.
- QM QuickConnect mount for indoor (damp or dry) use only.
- WB Wall bracket mount. Must add Option -89 for wet label listing.

Other

- 99 Special modification. Consult factory.

SUBMITTAL DATA

APPROVAL STAMP

JOB NAME
TYPE
WATTAGE VOLTAGE
CATALOG NUMBER

LIMITED WARRANTY: CATALOGED KIRLIN FIXTURES ARE WARRANTED FREE OF DEFECTS IN WORKMANSHIP OR MATERIAL FOR THREE YEARS FROM DATE OF PURCHASE. INSTALL TO N.E.C. IN NORMAL USE. Manufacturer of the fixture will replace or repair such fixture or refund the purchase price on presentation of proof of purchase and defective fixture at the offices of manufacturer within three years of original shipment. Liability of manufacturer is limited to the foregoing and manufacturer shall not be liable for any other damages, direct or indirect, sustained or suffered by purchaser or any person. This warranty is supplied in place of all other warranties, expressed or implied. Seller does not warrant as to merchantability or fitness for a particular use, nor will any oral statement constitute a warranty or amend this specific warranty. Abnormal use, abuse of the fixture, improper installation, or repair or modification of the fixture without prior written authorization from the manufacturer will render the warranty void.