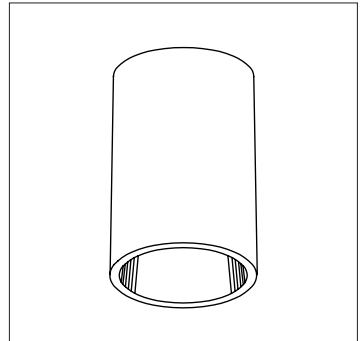


CATALOG #	TYPE	
JOB NAME	WATTAGE	VOLTAGE

9" 1 PAR 38 250 WATT MAXIMUM

ISR-09111

PAR 38 Adjustable Cylinder



Surface Round
Open
Adjustable

Specifications

Lamp / Socket Assembly

- Designed for 1 vertical tungsten halogen lamp (by others): 250W maximum PAR 38.
- Rated 4200 hour life; 100 CRI.
- Dimmable (controls by others).
- Swivels 358° and tilts up to 30°.
- Glazed porcelain medium base socket.

Reflector

- Self-flanged parabolic specular Alzak® aluminum.
- Optional finishes and colors available.

Aluminum Housing

- Seamless white acrylic enameled. Rustproof: Exceeds 1000 hour ASTM 5% salt spray test.
- No visible cylinder hardware.

- Lightweight: Minimizes ceiling load.
- Cool operation: Extends component life.

Installation

- Center point mounting for snug fit to ceiling. Mounting hardware included.
- 2" collar for surface J-box mount, Option -80.
- Pendant or wall bracket mount available.
- Indoor or outdoor for covered ceiling use. For wet label in uncovered areas, add Option -89.

UL, C-UL (Canada) Listings

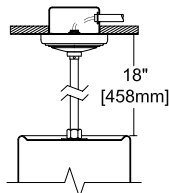
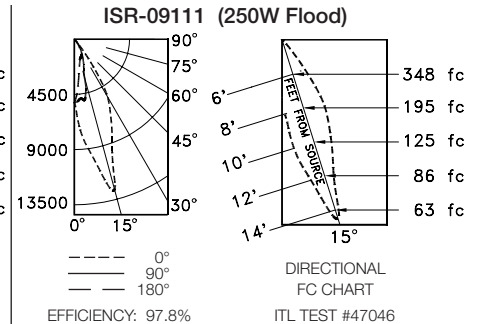
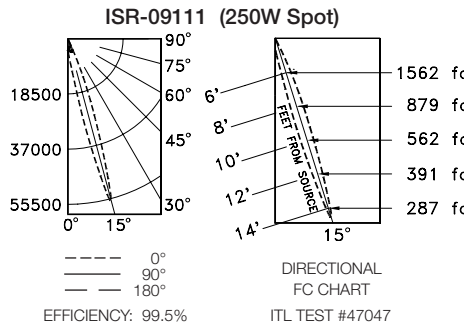
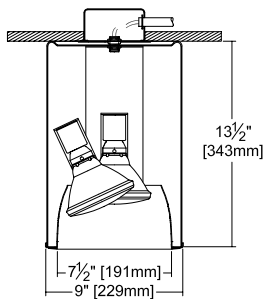
- Wet, damp or dry locations, covered ceilings.
- With Option -89: Wet, damp or dry locations, uncovered areas.
- 90°C minimum supply wire.

Three Year Limited Warranty

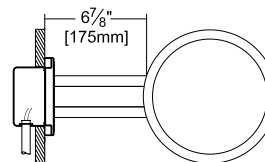
- Complete standard fixture.

Performance at a Glance

ISR-09111



Representative Views:
(Left) With optional pendant mount (Option -PM)
(Right) With optional wall bracket (Option -WB)



PHOTOMETRIC DATA SHOWN AT 25° TILT

THE KIRLIN COMPANY

3401 EAST JEFFERSON AVENUE • DETROIT, MICHIGAN 48207-4232
(313) 259-6400 • Fax: (313) 259-9409 OR (313) 259-3121 • www.kirlinlighting.com

TUNGSTEN HALOGEN &
INCANDESCENT LIGHTING

MAXIMUM WATTAGE

250

CATALOG NUMBER

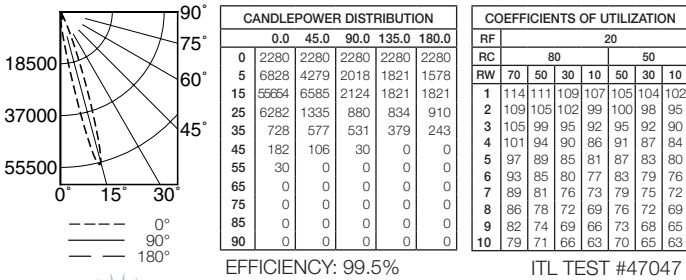
ISR-09111

DUE TO OUR CONTINUING EFFORT TO IMPROVE PRODUCTS, TECHNICAL INFORMATION IS SUBJECT TO CHANGE WITHOUT NOTICE.

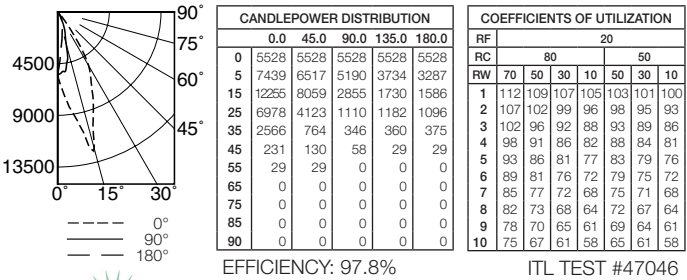
Detailed Photometry - Installed Fixture

Photometry from I.T.L., Boulder, CO

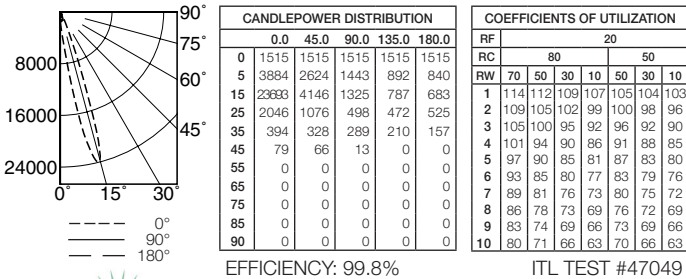
ISR-09111 (250 Watt Spot)



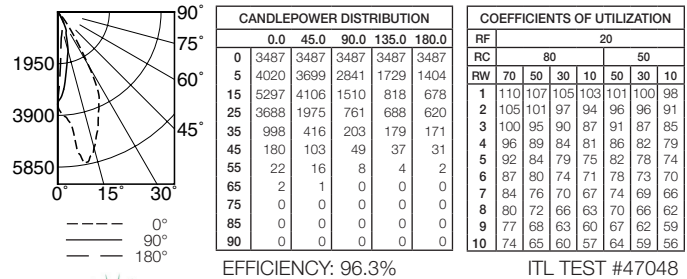
ISR-09111 (250 Watt Flood)



ISR-09111 (120 Watt Narrow Spot)



ISR-09111 (120 Watt Flood)



Options

Wattage and Voltage

- 58 277/120 volt stepdown transformer for 277 volt line input, prewired into fixture.

Lenses and Trims

- 16 Champagne Gold specular Alzak reflector. (CP x .98)
- 30 All white reflector. (CP x .98)
- 31 White flange (only) on self-flanged reflector.
- 63 Dune specular Alzak reflector. (CP x .97)
- 69 Wheat specular Alzak reflector. (CP x .97)
- 70 SofTex clear reflector. (CP x .98)
- 71 SofTex Dune reflector. (CP x .95)
- 72 Black specular Alzak reflector. (CP x .80)
- 91 SofTex Wheat reflector. (CP x .95)
- 93 Pewter specular Alzak reflector. (CP x .95)

- 94 Custom color/finish. Specify. Consult factory.
- OG OptiGroove black seamless tapered aluminum reflector. White trim, self-flanged. (CP x .82)

Luminaire (Housing) Finishes

- 35 Natural aluminum acrylic enamel.
- 37 Dark Bronze acrylic enamel.
- 38 Black acrylic enamel.
- 94 Custom color/finish. Specify. Consult factory.

Mounting

- 54 Safety cable through pendant stem and 12" beyond. Use with -PM.
- 80 2" collar for mounting beneath surface outlet box. 1/2" T.S. KO's.
- 87 Custom pendant length. Specify. (Pendant length up to 4' or consult factory.) Use with Option -PM.

- 88 Swivel canopy for sloped ceilings up to 40°. Earthquake rated. Use with -PM.
- 89 Sealed top WeatherCap. Must add to Options -PM and -WB for wet label listing.
- PM Pendant mount. 3/8" T.S. x 18" stem or see Option -87. Must add Option -89 for wet label.
- QM QuickConnect mount; indoor (damp or dry) use only.
- WB Wall bracket mount. Must add Option -89 for wet label listing.

Other

- 99 Special modification. Consult factory.
- LP With lamp. Specify wattage and beam spread.

SUBMITTAL DATA

JOB NAME _____
 TYPE _____
 WATTAGE _____ VOLTAGE _____
 CATALOG NUMBER _____

APPROVAL STAMP

LIMITED WARRANTY: CATALOGED KIRLIN FIXTURES ARE WARRANTED FREE OF DEFECTS IN WORKMANSHIP OR MATERIAL FOR THREE YEARS FROM DATE OF PURCHASE. INSTALL TO N.E.C. IN NORMAL USE. Manufacturer of the fixture will replace or repair such fixture or refund the purchase price on presentation of proof of purchase and defective fixture at the office of manufacturer within three years of original shipment. Liability of manufacturer is limited to the foregoing and manufacturer shall not be liable for any other damages, direct or indirect, sustained or suffered by purchaser or any person. This warranty is supplied in place of all other warranties, expressed or implied. Seller does not warrant as to merchantability or fitness for a particular use, nor will any oral statement constitute a warranty or amend the specific warranty. Abnormal use, improper installation, or repair or modification of the fixture without prior written authorization from the manufacturer will render the warranty void.
 BULLETIN 07TH
 REV JULY 2014