

CATALOG #	TYPE	
JOB NAME	WATTAGE	VOLTAGE

9" 1 PAR 38 250 WATT MAXIMUM

ISR-09107

## Surface, Pendant or Wall Bracket PAR 38

### Specifications

#### Lamp / Socket

- Designed for 1 vertical tungsten halogen lamp (by others): 250W maximum PAR 38.
- Rated 4200 hour life; 100 CRI.
- Dimmable (controls by others).
- Glazed porcelain medium base.

#### Reflector

- Self-flanged parabolic specular Alzak® aluminum.
- Optional finishes and colors available.

#### Aluminum Housing

- Seamless white acrylic enameled. Rustproof: Exceeds 1000 hour ASTM 5% salt spray test.
- No visible cylinder hardware.
- Lightweight: Minimizes ceiling load.

- Cool operation: Extends component life.

#### Installation

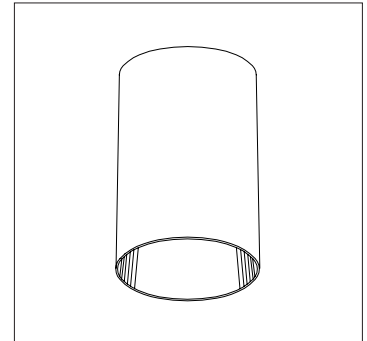
- Center point mounting for snug fit to ceiling. Mounting hardware included.
- 2" collar for surface J-box mount (Option -80).
- Pendant or wall bracket mount available. (See Options -PM, -WB).
- Indoor or outdoor for covered ceiling use. For wet label in uncovered areas, add Option -89.

#### UL, C-UL (Canada) Listings

- Wet, damp or dry locations, covered ceilings.
- With Option -89: Wet, damp or dry locations, uncovered areas.
- 90°C minimum supply wire.

#### Three Year Limited Warranty

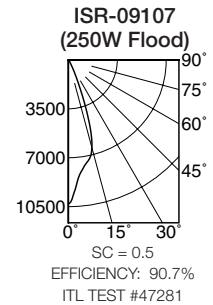
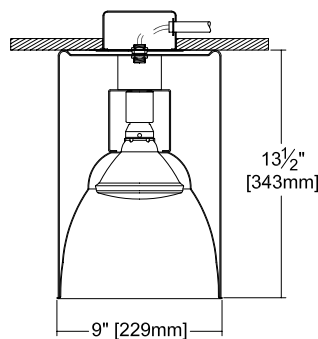
- Complete standard fixture.



Surface Round  
Open  
Single Reflector

### Performance at a Glance

ISR-09107

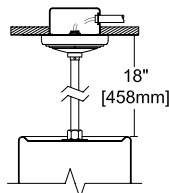


#### Cone of Light\*

Dist.	FC	Dia.
6	286.0	3.5
8	160.9	4.7
10	103.0	5.9
12	71.5	7.1
14	52.5	8.3
16	40.2	9.4

**Cone of Light Key**  
Ft. Distance from fixture  
FC Footcandles at nadir (0°)  
Dia. Circle of light at 50% of FC

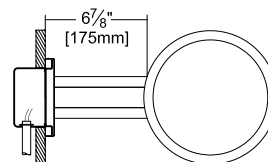
\* Dia. (in ft.) shown is where FC value is half the FC at nadir.



Representative Views:

(Left) With optional pendant mount (Option -PM)

(Right) With optional wall bracket (Option -WB)



## THE KIRLIN COMPANY

3401 EAST JEFFERSON AVENUE • DETROIT, MICHIGAN 48207-4232  
(313) 259-6400 • Fax: (313) 259-9409 OR (313) 259-3121 • www.kirlinlighting.com

TUNGSTEN HALOGEN &  
INCANDESCENT LIGHTING

MAXIMUM WATTAGE

250

CATALOG NUMBER

ISR-09107

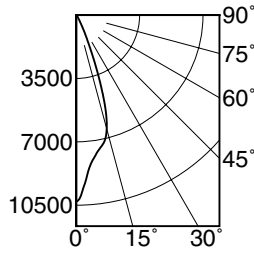
DUE TO OUR CONTINUING EFFORT TO IMPROVE PRODUCTS, TECHNICAL INFORMATION IS SUBJECT TO CHANGE WITHOUT NOTICE.

Alzak® is a registered trademark of ALCOA.

Detailed Photometry - Installed Fixture

Photometry from I.T.L., Boulder, CO

ISR-09107 (250 Watt Flood)



SC = 0.5  
EFFICIENCY: 90.7%

CANDLEPOWER DISTRIBUTION					
	0.0	22.5	45.0	67.5	90.0
0	10296	10296	10296	10296	10296
5	8437	8437	8437	8437	8437
15	6504	6504	6504	6504	6504
25	1225	1225	1225	1225	1225
35	178	178	178	178	178
45	39	39	39	39	39
55	0	0	0	0	0
65	0	0	0	0	0
75	0	0	0	0	0
85	0	0	0	0	0
90	0	0	0	0	0

COEFFICIENTS OF UTILIZATION							
RF	20						
RC	80				50		
RW	70	50	30	10	50	30	10
1	104	102	100	99	97	95	94
2	100	97	94	92	93	91	89
3	97	92	89	86	89	86	84
4	94	88	85	82	86	83	80
5	90	85	81	78	82	79	77
6	87	81	77	74	80	76	74
7	85	78	74	71	77	73	71
8	82	76	71	69	74	71	68
9	79	73	69	66	72	68	66
10	77	70	67	64	69	66	64

ITL TEST #47281

Options

Trims

- 16 Champagne Gold specular Alzak reflector. (CP x .98)
- 30 All white reflector. (CP x .98)
- 63 Dune specular Alzak reflector. (CP x .97)
- 69 Wheat specular Alzak reflector. (CP x .97)
- 70 SofTex clear reflector. (CP x .98)
- 71 SofTex Dune reflector. (CP x .95)
- 72 Black specular Alzak reflector. (CP x .80)
- 91 SofTex Wheat reflector. (CP x .95)
- 93 Pewter specular Alzak reflector. (CP x .95)
- 94 Custom color/finish. Specify. Consult factory.
- OG OptiGroove black seamless tapered aluminum reflector. White trim, self-flanged. (CP x .82)

Luminaire (Housing) Finishes

- 35 Natural aluminum acrylic enamel.
- 37 Dark Bronze acrylic enamel.
- 38 Black acrylic enamel.
- 94 Custom color/finish. Specify. Consult factory.

Mounting

- 54 Safety cable through pendant stem and 12" beyond. Use with -PM.
- 80 2" collar for mounting beneath surface outlet box. 1/2" T.S. KO's.
- 87 Custom pendant length. Specify. (Pendant length up to 4' or consult factory.) Use with Option -PM.
- 88 Swivel canopy for sloped ceilings up to 40°. Earthquake rated. Use with -PM.

- 89 Sealed top WeatherCap. Must add to Options -PM and -WB for wet label listing.
- PM Pendant mount. 3/8" T.S. x 18" stem or see Option -87. Must add Option -89 for wet label listing. Also see -88.
- QM QuickConnect mount for indoor (damp or dry) use only.
- WB Wall bracket mount. Must add Option -89 for wet label listing.

Other

- 99 Special modification. Consult factory.
- LP With PAR 38 lamp. Specify wattage and beam spread.

SUBMITTAL DATA

JOB NAME \_\_\_\_\_  
 TYPE \_\_\_\_\_  
 WATTAGE \_\_\_\_\_ VOLTAGE \_\_\_\_\_  
 CATALOG NUMBER \_\_\_\_\_

APPROVAL STAMP

LIMITED WARRANTY: CATALOGED KIRLIN FIXTURES ARE WARRANTED FREE OF DEFECTS IN WORKMANSHIP OR MATERIAL FOR THREE YEARS FROM DATE OF PURCHASE. INSTALLER TO N.E.C. IN NORMAL USE. Manufacturer of the fixture will replace or repair such fixture or refund the purchase price on presentation of proof of purchase and defective fixture at the offices of manufacturer within three years of date of original shipment. Liability of manufacturer is limited to the foregoing and manufacturer shall not be liable for any other damages, direct or indirect, sustained or suffered by purchaser or any person. This warranty is supplied to the buyer in place of all other warranties, expressed or implied. Seller does not warrant as to merchantability or fitness for a particular use, nor will any oral statement constitute a warranty or amend this specific warranty. Abnormal use, abuse of the fixture, improper installation, or repair or modification of the fixture without prior written authorization from the manufacturer will render the warranty void.