

CATALOG #	TYPE	
JOB NAME	WATTAGE	VOLTAGE

6" 1 T4 500 WATT MAXIMUM

IRR-06057

High Light Output: Ideal for Mall, Convention Center, Church

Specifications

Lamp

- Designed for 1 vertical frosted T4 tungsten halogen lamp (by others): 500 watt maximum.

Lampholder

- Mini-candelabra heat resistant screw base mounted in exclusive extruded aluminum heat sink to maximize dissipation of lamp base heat.

Reflectors

- Upper: Specular Alzak® ellipsoidal aluminum for precise control of source.
- Lower: Low brightness clear specular parabolic Alzak aluminum cone, self-flanged.
- Optional self-flanged lower cone finishes, colors and square trim available.

Lens

- Tempered C#73 prismatic glass lens mounted to upper reflector (1.0 SC).

Aluminum Housing

- Cool. Acrylic enameled 100% aluminum. Vented.

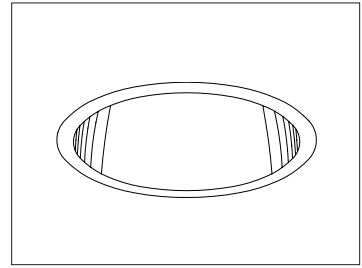
- Convection and radiation cooling by design for maximum component life.
- Rustproof and corrosion resistant: Exceeds 1000 hour ASTM 5% salt spray test.
- Entire luminaire visible and serviceable from below through aperture.
- Top access standard - simple procedure.
- 2" mounting collar permits thicker ceiling installations. Built-in plaster frame.

Outlet Box and Thermal Protection

- UL listed J-box with insulated removable cover. Prewired 14 GA (NEC) with 1/2" and 3/4" knockouts.
- Thermal protector (per current NEC) provides automatic cut-off if rated temperature is exceeded.

Installation

- 27" galvanized hanger bars supplied (2).
- Fully adjustable universal galvanized mounting brackets supplied (2).
- Recesses indoor or outdoor in covered ceilings.



Recessed Round
Open
Appearance
Dual Reflector

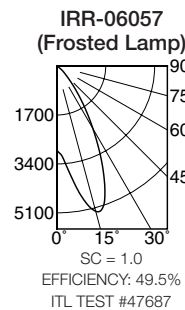
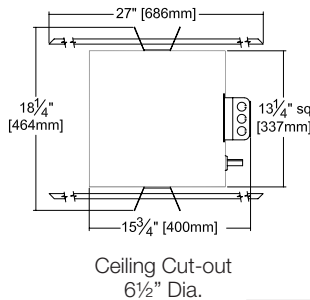
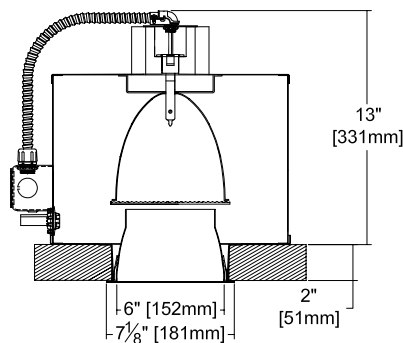
- See "MARKED SPACINGS CAUTION" below.
- UL, C-UL (Canada) Listings**
- Wet, damp or dry locations, covered ceilings.
- Through-branch conductors (6 #12 AWG 90°C).

Three Year Limited Warranty

- Complete standard fixture.

Performance at a Glance

IRR-06057



Cone of Light*

Dist.	FC	Dia.
6	81.4	7.2
8	45.8	9.6
10	29.3	12.0
12	20.4	14.4
14	15.0	16.8
16	11.4	19.2

Cone of Light Key
 Ft. Distance from fixture
 FC Footcandles at nadir (0°)
 Dia. Circle of light at 50% of FC

* Dia. (in ft.) shown is where FC value is half the FC at nadir.

KIRLIN RECOMMENDS
 FROSTED T4 HALOGEN LAMPS
 BY USHIO, GEORGE Sylvania ONLY

"MARKED SPACINGS CAUTION"
 INSTALL WITH MINIMUM SPACINGS AS FOLLOWS: 2 FEET BETWEEN CENTERS OF ADJACENT FIXTURES; 1/2" BETWEEN FIXTURE TOP AND OVERHEAD BUILDING MEMBER; 1 FOOT BETWEEN FIXTURE CENTER AND SIDE WALL.

CAUTION: SINGLE ENDED T4 HALOGEN LAMPS MUST BE STARTED AT OR NEAR FULL VOLTAGE (120V) BEFORE DIMMING TO ENSURE MAXIMUM LIFE AND PERFORMANCE.

THE KIRLIN COMPANY

3401 EAST JEFFERSON AVENUE • DETROIT, MICHIGAN 48207-4232
 (313) 259-6400 • Fax: (313) 259-9409 OR (313) 259-3121 • www.kirlinlighting.com

TUNGSTEN HALOGEN &
 INCANDESCENT LIGHTING

MAXIMUM WATTAGE

500

CATALOG NUMBER

IRR-06057

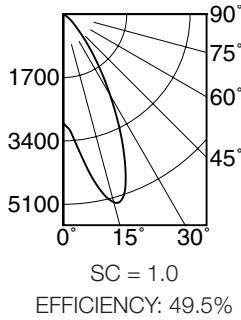
DUE TO OUR CONTINUING EFFORT TO IMPROVE PRODUCTS, TECHNICAL INFORMATION IS SUBJECT TO CHANGE WITHOUT NOTICE.

Alzak® is a registered trademark of ALCOA.

Detailed Photometry - Installed Fixture

Photometry from I.T.L., Boulder, CO

IRR-06057 (500 Watt)



CANDLEPOWER DISTRIBUTION					
	0.0	22.5	45.0	67.5	90.0
0	2931	2931	2931	2931	2931
5	3388	3388	3388	3388	3388
15	5223	5223	5223	5223	5223
25	3712	3712	3712	3712	3712
35	1567	1567	1567	1567	1567
45	489	489	489	489	489
55	133	133	133	133	133
65	6	6	6	6	6
75	0	0	0	0	0
85	0	0	0	0	0
90	0	0	0	0	0

COEFFICIENTS OF UTILIZATION							
RF	20						
RC	80				50		
RW	70	50	30	10	50	30	10
1	56	55	53	52	52	51	50
2	53	51	49	47	48	47	45
3	50	47	45	43	45	43	42
4	48	44	41	39	42	40	38
5	45	41	38	36	40	37	35
6	43	38	35	33	37	35	33
7	41	36	33	31	35	32	30
8	39	34	31	28	33	30	28
9	37	32	29	27	31	28	26
10	35	30	27	25	29	27	25

ITL TEST #47687

Options

Lenses and Trims

- 16 Champagne Gold specular Alzak lower cone. (CP x .95)
- 30 All white lower cone. (CP x .95)
- 31 White flange (only) on self-flanged lower cone.
- 32 White oversize trim ring. Specify O.D.
- 45 Gasket between ceiling and lower cone flange.
- 63 Dune specular Alzak lower cone. (CP x .93)
- 69 Wheat specular Alzak lower cone. (CP x .92)

- 70 SofTex clear lower cone. (CP x .92)
- 71 SofTex Dune lower cone. (CP x .89)
- 72 Black specular Alzak lower cone. For use in fire resistant construction only. (CP x .80)
- 91 SofTex Wheat lower cone. (CP x .88)
- 93 Pewter specular Alzak lower cone. (CP x .88)
- 94 Custom color/finish. Specify. Consult factory.
- OG OptiGroove black seamless tapered aluminum lower cone. White trim, self-flanged. For use in fire resistant construction only. (CP x .83)

- SQ 6" Square self-flanged clear specular lower cone instead. SofTex and colors optional. (Ceiling cut-out 6.75" sq.)

Other

- 99 Special modification. Consult factory.
- LP With frosted mini-can lamp. Specify wattage and color temperature.

SUBMITTAL DATA

JOB NAME
TYPE
WATTAGE VOLTAGE
CATALOG NUMBER

APPROVAL STAMP

LIMITED WARRANTY: CATALOGED KIRLIN FIXTURES ARE WARRANTED FREE OF DEFECTS IN WORKMANSHIP OR MATERIAL FOR THREE YEARS FROM DATE OF PURCHASE. INSTALL TO N.E.C. IN NORMAL USE. Manufacturer of the option will replace or repair such fixture or refund the purchase price on presentation of proof of purchase and defective fixture at the offices of manufacturer within three years of original shipment. Liability of manufacturer is limited to the foregoing and manufacturer shall not be liable for any other damages, direct or indirect, sustained or suffered by purchaser or any person. This warranty is supplied in place of all other warranties, expressed or implied. Seller does not warrant as to merchantability or fitness for a particular use, nor will any oral statement constitute a warranty or amend this specific warranty. Abnormal use, abuse of the fixture, improper installation, or repair or modification of the fixture without prior written authorization from the manufacturer will render the warranty void.