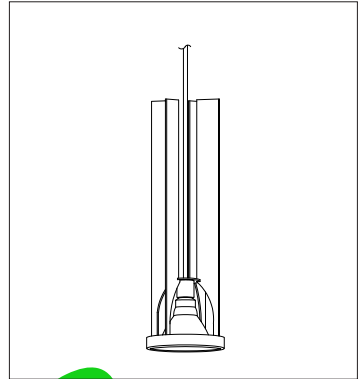


| | | |
|-----------|---------|---------|
| CATALOG # | TYPE | |
| JOB NAME | WATTAGE | VOLTAGE |

4" 1 PAR 16 75 WATT MAXIMUM

IPR-04102

Decorative Pendant Mini-PAR Downlight



Specifications

Lamp / Socket

- Designed for 1 vertical tungsten halogen lamp (by others): 75W maximum PAR 16. Also will accommodate 50W maximum PAR 20.
- Rated 2000-4200 hour life; 100 CRI.
- Dimmable (controls by others).
- Glazed porcelain medium base socket.

Luminaire

- Four perpendicular .125" aluminum blades radially surround pendant.
- Two parallel 3" diameter .125" aluminum discs decoratively retain blades at 90°.
- Blades are seated into .080" seamless spun aluminum trim ring.

- White acrylic enameled finish standard. See Options for other colors.
- Laser cut and welded aluminum construction.
- Rustproof: Exceeds 1000 hour ASTM 5% salt spray test.

Installation

- Pendant mount. 1/8" T.S. x 18".
- For custom length or swivel canopy mount for sloped ceilings, see Options -87 and -88.

UL, C-UL (Canada) Listings

- Damp or dry locations, covered ceilings.
- Approved for 60°C supply wire to outlet box above.

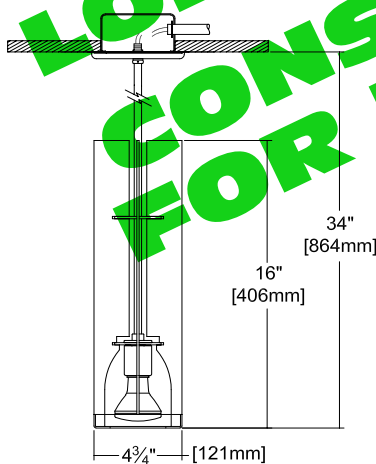
Three Year Limited Warranty

- Complete standard fixture.

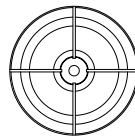
Pendant Round
Open

Performance at a Glance

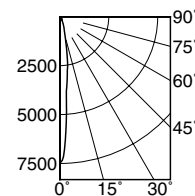
IPR-04102



Plan View

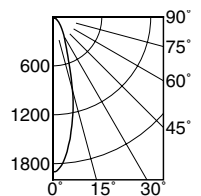


IPR-04102
(75W 10° Spot)



SC = 0.2
EFFICIENCY: 100.0%
OSRAM SYLVANIA
CATALOG No. 59036

IPR-04102
(75W 30° Flood)



SC = 0.5
EFFICIENCY: 100.0%
OSRAM SYLVANIA
CATALOG No. 59034



Exceptional
Energy
Efficiency

THE KIRLIN COMPANY

3401 EAST JEFFERSON AVENUE • DETROIT, MICHIGAN 48207-4232
(313) 259-6400 • Fax: (313) 259-9409 OR (313) 259-3121 • www.kirlinlighting.com

TUNGSTEN HALOGEN &
INCANDESCENT LIGHTING

MAXIMUM WATTAGE

75

CATALOG NUMBER

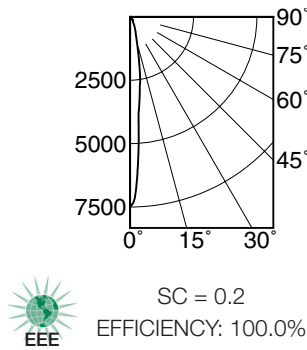
IPR-04102

DUE TO OUR CONTINUING EFFORT TO IMPROVE PRODUCTS, TECHNICAL INFORMATION IS SUBJECT TO CHANGE WITHOUT NOTICE.

Detailed Photometry - Installed Fixture

Photometry from I.T.L., Boulder, CO

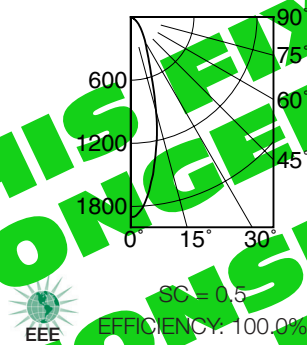
IPR-04102 (75 Watt 10° Spot)



| CANDLEPOWER DISTRIBUTION | | | | | |
|--------------------------|------|------|------|------|------|
| | 0.0 | 22.5 | 45.0 | 67.5 | 90.0 |
| 0 | 7500 | 7500 | 7500 | 7500 | 7500 |
| 5 | 3825 | 3825 | 3825 | 3825 | 3825 |
| 15 | 1046 | 1046 | 1046 | 1046 | 1046 |
| 25 | 407 | 407 | 407 | 407 | 407 |
| 35 | 176 | 176 | 176 | 176 | 176 |
| 45 | 111 | 111 | 111 | 111 | 111 |
| 55 | 25 | 25 | 25 | 25 | 25 |
| 65 | 8 | 8 | 8 | 8 | 8 |
| 75 | 0 | 0 | 0 | 0 | 0 |
| 85 | 0 | 0 | 0 | 0 | 0 |
| 90 | 0 | 0 | 0 | 0 | 0 |

OSRAM SYLVANIA CATALOG No. 59036

IPR-04102 (75 Watt 30° Flood)



| CANDLEPOWER DISTRIBUTION | | | | | |
|--------------------------|------|------|------|------|------|
| | 0.0 | 22.5 | 45.0 | 67.5 | 90.0 |
| 0 | 1900 | 1900 | 1900 | 1900 | 1900 |
| 5 | 1728 | 1728 | 1728 | 1728 | 1728 |
| 15 | 927 | 927 | 927 | 927 | 927 |
| 25 | 373 | 373 | 373 | 373 | 373 |
| 35 | 203 | 203 | 203 | 203 | 203 |
| 45 | 113 | 113 | 113 | 113 | 113 |
| 55 | 55 | 55 | 55 | 55 | 55 |
| 65 | 23 | 23 | 23 | 23 | 23 |
| 75 | 11 | 11 | 11 | 11 | 11 |
| 85 | 0 | 0 | 0 | 0 | 0 |
| 90 | 0 | 0 | 0 | 0 | 0 |

OSRAM SYLVANIA CATALOG No. 59034

Options

Luminaire (Housing) Finishes

- 35 Natural aluminum acrylic enamel.
- 36 Gold acrylic enamel.
- 37 Dark Bronze acrylic enamel.
- 38 Black acrylic enamel.
- 94 Custom color luminaire and pendant. Specify. Consult factory.

Mounting

- 87 Custom pendant length. Specify length up to 4' or consult factory.
- 88 Swivel canopy for sloped ceilings up to 40°. Earthquake rated.

Other

- 99 Special modification. Consult factory.
- LP With lamp. Specify wattage, beam spread and style (PAR 16, 20).

SUBMITTAL DATA

APPROVAL STAMP

JOB NAME
TYPE
WATTAGE VOLTAGE
CATALOG NUMBER

LIMITED WARRANTY: CATALOGED KIRLIN FIXTURES ARE WARRANTED FREE OF DEFECTS IN WORKMANSHIP OR MATERIAL FOR THREE YEARS FROM DATE OF PURCHASE. INSTALL TO N.E.C. IN NORMAL USE. Manufacturer of the option will replace or repair such fixture or refund the purchase price on presentation of proof of purchase and defective fixture at the offices of manufacturer within three years of original shipment. Liability of manufacturer is limited to the foregoing and manufacturer shall not be liable for any other damages, direct or indirect, sustained or suffered by purchaser or any person. This warranty is supplied in place of all other warranties, expressed or implied. Seller does not warrant as to merchantability or fitness for a particular use, nor will any oral statement constitute a warranty or amend this specific warranty. Abnormal use, abuse of the fixture, improper installation, or repair, or modification of the fixture without prior written authorization from the manufacturer will render the warranty void.