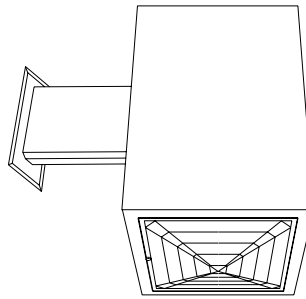


### Wall Bracket Lensed E-Lamp Direct/Indirects: 50 to 400 Watt



10"	100/100W	<b>HWS-10197</b>
13"	250/200W	<b>HWS-13198</b>
13"	400/400W	<b>HWS-13199</b>

### Features

#### Lamp

- Designed for metal halide T-15 or E-lamps. See chart below for standard and optional wattages.
- See Option -43 and chart below for lower wattage or HPS availability.

#### Sockets

- Pulse rated. Glazed porcelain.
- Nickel-plated brass screw shell. Silicone leads.

#### Reflectors

- GlasSurfaced™ multi-faceted specular aluminum.

#### Trim Assemblies

- UV absorbing tempered prismatic shock resisting spread Kirlin lens.
- Rustfree polished nickel stainless door (304-L) and captive thumb screw. Concealed hinges for fast relamping.

- Beveled cast aluminum frame tooled to ensure close fit with door. White acrylic finish.

#### Ballast Assembly: Specify Voltage

- WhisperPack™ fully encapsulated 180°C rated HPF pulse start ballast.
- 50-150 watt: Class H, high reactance for 120 volt, linear reactor for 277 volt.
- 175-400 watt: Super CWA for 120 volt and Options -65, -66, -HL; Class H, linear reactor for 277 volt.
- Capacitor and ignitor supplied.
- Wired for two circuits.
- Dimming (-39) and electronic (-96) ballasts available. See Options.
- Cool, quiet, long-life. Silicone leads.

#### Fuse

- Fused primary. Renewable. Aids servicing.

One per ballast. Not for 480 volt.

#### Housing

- White acrylic enameled tempered, rigid rustproof aluminum with no visible seam.
- Exceeds 1000 hour ASTM 5% salt spray test.
- Cool: Dissipates heat across entire surface area.
- No visible housing hardware.

#### Installation

- Wall bracket extrusion assembled to housing. Wall plate included, for recessed outlet box.
- Mounting hardware included.
- Indoor or outdoor for covered ceiling use. (See Option -86)

#### UL, C-UL (Canada) Listings

- Wet, damp or dry locations, covered ceilings. (See Option -86)

#### Three Year Limited Warranty

- Complete standard fixture, including ballast.

### Wattage Availability

Catalog No.	Lamp/Base	Standard Wattage Direct/Indirect		Option -43: Lower Wattage		Max. Standby Wattage (-49-65-66-LS)	Lamp Position
		PulseMH	-24 (HPS)	PulseMH	-24 (HPS)		
HWS-10197	ED-17/Med	100/100	100/100	50-70	35-70	100	Hor/Hor
HWS-13198	T-15/ED-28/Mog	250/200 (T-15)	250/150	150-200	150	150	Vert/Hor
HWS-13199	ED-28/Mog	400/400	250/250	150-350	150	150	Vert/Vert

### Options

#### Sources and Ballasts

- 24 HPS ballast instead. See wattage chart above for available wattages. Specify voltage.
- 39 Remote (10' max.) electronic dimming ballasts instead, for pulse start metal halide. Consult factory for wattage and voltage availability.
- 96 Remote (15' max.) electronic MH ballasts instead. Consult factory for availability in 175W or above.

#### Wattage and Voltage

- 43 Lower wattage: See Option -43 chart above for available lower wattages. Specify voltage.
- 120 120 volt, 60 Hz. ballasts.
- 277 277 volt, 60 Hz. ballasts.
- 347 347 volt, 60 Hz. ballasts. Consult factory for dimming or electronic.
- 97 Other voltage ballasts. Consult factory.

#### Relays, Standbys, Lamps (See Chart)

- 49 Extra circuit DCB socket. Do not energize simultaneously with main source. Also see -LS.

- 65 Electronic standby system and DCB socket. Following HID outage, provides immediate light until HID restrikes. Also see -66 and -LS.
- 66 Electronic time delay standby system and DCB socket. Following outage, provides light until HID reaches 70% output. Also see Option -LS.
- HL Hi-Lo wiring modification for use with external relay systems (by others). 175 watt or above. Specify system separately. Not available for HWS-10197.
- LP With lamp. Specify source, wattage, color temperature, and clear or coated. (3700°K standard for metal halide)
- LS With T-4 DCB tungsten halogen standby lamp. Use only with Options -49, -65 or -66.

#### Lenses and Trims

- 15 Prismatic C#73 flat glass lens instead.
- 26 Tamperproof trim. One key per ten fixtures. Also see Option -27.
- 27 Clear 1/4" tempered glass beneath tempered prismatic C#73 flat glass lens for vandal resistance. Also see Option -26.
- 46 Gasket between trim and lens.
- 86 Gasketed prismatic glass WeatherCap for

indirect position of luminaire; for installation in areas exposed to weather. Required for "Wet" label.

- DG Drop Guard with tempered flat prismatic glass. Galvanized steel. White acrylic finish.
- DH Drop Holophane tempered lens instead (direct position) with -15 Prismatic lens (indirect). Not available for HWS-10197.

#### Luminaire (Housing) Finishes

- 35 Natural Aluminum enameled luminaire finish instead.
- 36 Gold enameled luminaire finish instead.
- 37 Dark Bronze enameled luminaire finish instead.
- 38 Black enameled luminaire finish instead.
- 94 Custom color luminaire finish. Consult factory.

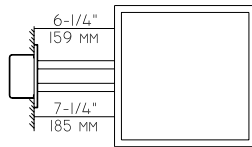
#### Mounting Options

- 87 Custom wall bracket length. Specify or consult factory for available lengths.

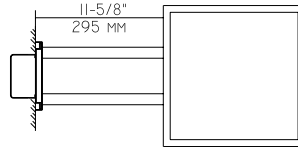
#### Other Options

- 99 Special modification. Consult factory.

### HWS-10197 HWS-13198 HWS-13199



Plan View A



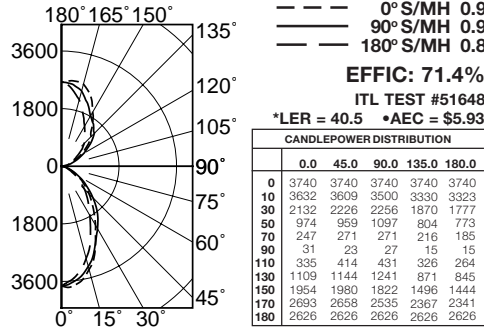
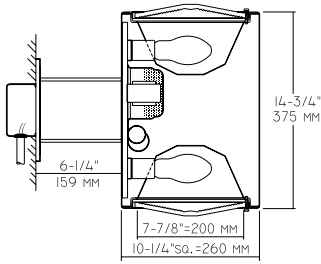
Plan View B

- Cone of Light Key**
- Ft.** Distance from fixture
  - FC** Footcandles (average)
  - Dia.** Circle of light at 50% of FC
- \* Dia. (in ft.) shown is where FC value is half the FC at nadir.

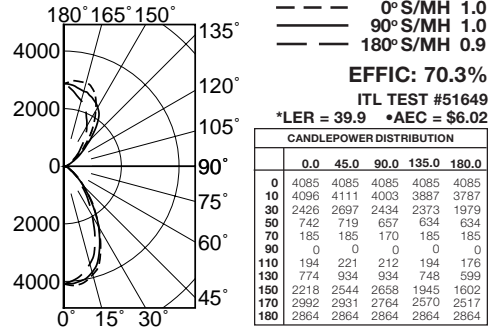
**C.U. (Coefficients of Utilization)** Tables are available on request. Please contact your Kirlin representative.

LIMITED WARRANTY: KIRLIN LIGHTING FIXTURES ARE WARRANTED FREE OF DEFECTS IN WORKMANSHIP OR MATERIAL FOR THREE YEARS FROM DATE OF PURCHASE. INSTALLATION TO N.E.C. IN NORMAL USE. Manufacturer at its option will replace or repair such fixture or refund the purchase price on presentation of a claim to Kirlin Lighting, Inc. or its authorized distributor. This warranty does not cover damage caused by misuse, abuse, or neglect. Kirlin Lighting, Inc. is not responsible for any damage to property or personal injury, or for any consequential, incidental, or special damages, arising from the use, installation, or repair, or modification of the fixture without prior written authorization from the manufacturer. This warranty will render the warranty void.

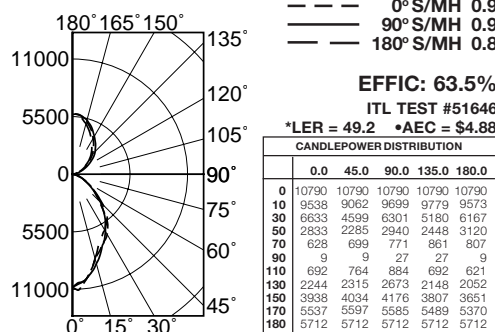
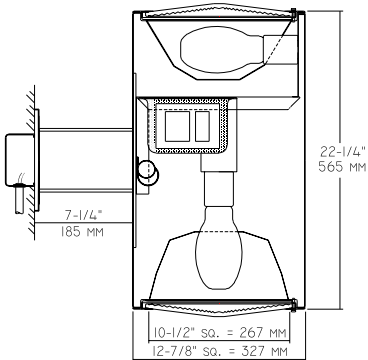
### HWS-10197 100/100W (Plan View A) HWS-10197 (Coated Lamps)



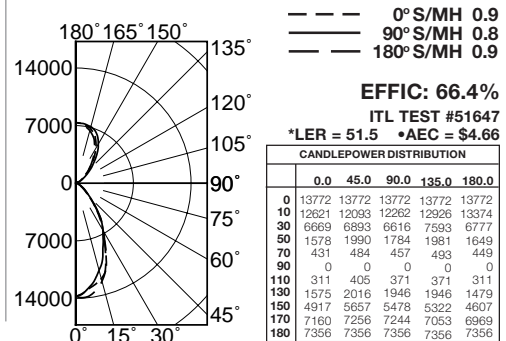
### HWS-10197-15 (Coated Lamps)



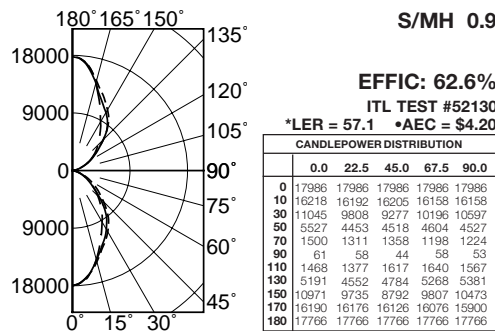
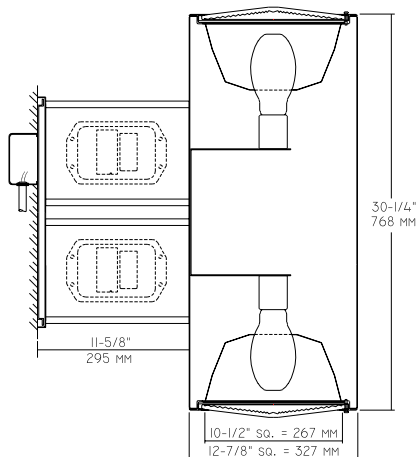
### HWS-13198 250/200W (Plan View A) HWS-13198 (Clear Lamp Down, Coated Up)



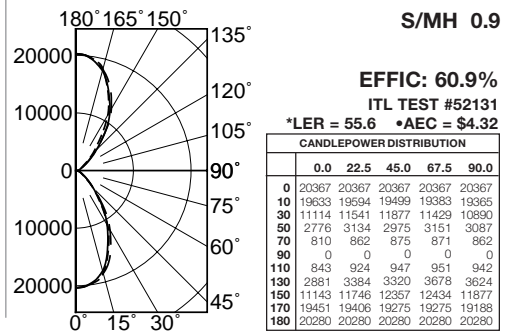
### HWS-13198-15 (Clear Lamp Down, Coated Up)



### HWS-13199 400/400W (Plan View B) HWS-13199 (Clear Lamps)



### HWS-13199-15 (Clear Lamps)



\* LER (Luminaire Efficacy Rating) = Luminaire Effic. x Total Lamp Lumens x Ballast Factor / Input Watts

• AEC = Annual Energy Cost per 1000 lumens (based on 3000 hours use @ \$0.08 KWH).

## SUBMITTAL DATA

JOB NAME \_\_\_\_\_  
TYPE \_\_\_\_\_  
WATTAGE \_\_\_\_\_ VOLTAGE \_\_\_\_\_  
CATALOG NUMBER \_\_\_\_\_

## APPROVAL STAMP