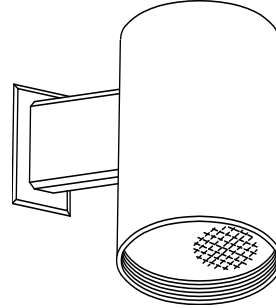


Wall Bracket Lensed E-Lamp "Pulse Start" Direct/Indirect: 50 to 250 Watt



14" 250/150W **HWR-14153**

Features

Lamp

- Designed for metal halide E-lamps. See chart below for standard and optional wattages.
- See Option -43 and chart below for lower wattage or HPS availability.

Sockets

- Pulse rated. Glazed porcelain.
- Nickel-plated brass screw shell. Silicone leads.

Reflectors

- Specular parabolic or ellipsoidal Alzak® aluminum.

Trim Assemblies

- Direct: Seamless tapered black OptiGroove with white interlocking flange and UV absorbing tempered prismatic low brightness C#73 flat glass lens.
- Indirect: Gasketed prismatic glass WeatherCap. Suitable for installation in

areas exposed to weather.

- Optional lenses and trims available.

Ballast Assembly: Specify Voltage

- WhisperPack™ fully encapsulated 180°C rated HPF pulse start ballasts.
- 50-150 watt: Class H, high reactance for 120 volt and Options -65, -66; linear reactor for 277 volt.
- 175-250 watt: Super CWA for 120 volt and Options -65, -66; Class H, linear reactor for 277 volt.
- Capacitor and ignitor supplied.
- Wired for two circuits.
- Dimming (-39) and electronic (-96) ballasts available. See Options.
- Cool, quiet, long-life. Silicone leads.

Fuse

- Fused primary. Renewable. Not for 480 volt.

Housing

- Seamless white acrylic enameled aluminum with wall bracket. No visible hardware. See Options for other colors.
- Cool: Dissipates heat across entire surface area.
- Rustproof: Exceeds 1000 hour ASTM 5% salt spray test.

Installation

- Wall bracket extrusion(s) assembled to housing. Wall plate included, for recessed outlet box.
- Mounting hardware included.
- Indoor or outdoor for covered ceiling use.

UL, C-UL (Canada) Listings

- Wet, damp or dry locations, covered ceilings.

Three Year Limited Warranty

- Complete standard fixture, including ballast.

Wattage Availability

Catalog No.	Lamp/Base	Standard Wattage Direct/Indirect		Option -43: Lower Wattage		Max. Standby Wattage (-49-65-66-LS)	Lamp Position
		Pulse MH	-24 (HPS)	Pulse MH	-24 (HPS)		
HWR-14153	ED-28MO/ED-17ME	250/150	250/150	50-200*	50-150	150	Offset

*175 watt pulse start available only in vertical base up position.

Options

Sources and Ballasts

- 24 HPS ballast instead. See wattage chart above for available wattages. Specify voltage.
- 39 Remote (10' max.) electronic dimming ballasts instead, for pulse start metal halide. Consult factory for wattage and voltage availability.
- 96 Remote (15' max.) electronic MH ballasts instead. Consult factory for availability in 175W or above, or for internal mounting.

Wattage and Voltage

- 43 Lower wattage: See Option -43 chart above for available lower wattages. Specify voltage.
- 120 120 volt, 60 Hz. ballasts.
- 277 277 volt, 60 Hz. ballasts.
- 347 347 volt, 60 Hz. ballasts. Consult factory for dimming or electronic.
- 97 Other voltage ballasts. Consult factory.

Relays, Standbys, Lamps (See Chart)

- 49 Extra circuit DCB socket. Do not energize simultaneously with main source. Also see -LS.
- 65 Electronic standby system and DCB socket. Following HID outage, provides immediate light until HID restrikes. Also see -66 and -LS.
- 66 Electronic time delay standby system and DCB socket. Following outage, provides light until HID reaches 70% output. Also see Option -LS.
- HL Hi-Lo wiring modification, for use with external relay systems (by others). 175 watt or above. Specify system separately.
- LP With lamp. Specify source, wattage, color temperature, and clear or coated. (3700°K standard for metal halide)
- LS With T-4 DCB tungsten halogen standby lamp. Use only with Options -49, -65 or -66.

Lenses and Trims (Direct Position Only)

- 27 Clear 1/4" tempered glass beneath tempered prismatic C#73 flat glass lens for impact resistance.
- 40 White grooveless flare trim assembly instead.
- 46 Gasket between trim and lens.

Luminaire (Housing) Finishes

- 35 Natural Aluminum enameled luminaire finish instead.
- 36 Gold enameled luminaire finish instead.
- 37 Dark Bronze enameled luminaire finish instead.
- 38 Black enameled luminaire finish instead.
- 94 Custom color luminaire finish. Consult factory.

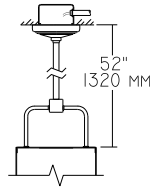
Mounting Options

- 87 Custom wall bracket length (specify or consult factory) or -PM pendant length (consult factory for longer lengths with couplers).
- 88 Swivel canopy for sloped ceilings up to 45°. Earthquake rated. Use with Option -PM.

Other Options

- 99 Special modification. Consult factory.

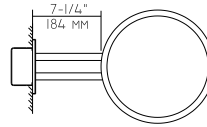
HWR-14153



Representative View:

(Left) Optional pendant mount

(Option -PM)



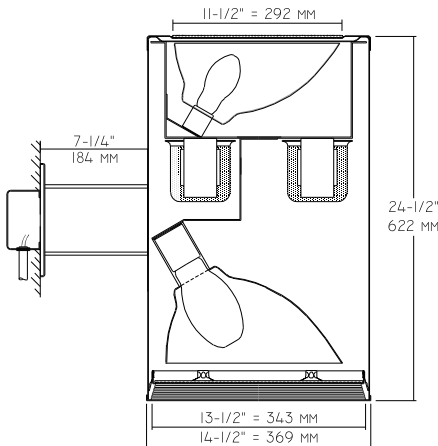
Cone of Light Key

- Ft.** Distance from fixture
- FC** Footcandles (average)
- Dia.** Circle of light at 50% of FC
- * Dia. (in ft.) shown is where FC value is half the FC at nadir.

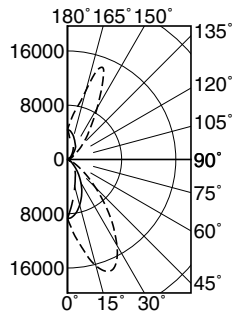
C.U. (Coefficients of Utilization)
Tables are available on request.
Please contact your Kirlin representative.

LIMITED WARRANTY: CATALOGED KIRLIN FIXTURES ARE WARRANTED FREE OF DEFECTS IN WORKMANSHIP OR MATERIAL FOR THREE YEARS FROM DATE OF PURCHASE. INSTALLED TO N.E.C., IN NORMAL USE. Manufacturer at his option will replace or repair such fixture or refund the purchase price on presentation of proof of purchase and defective fixture at the offices of manufacturer within three years of original shipment. Liability of manufacturer is limited to the foregoing, and manufacturer shall not be liable for any other damages, direct or indirect, sustained or suffered by the purchaser or any other party. This warranty is void where prohibited by law. No warranty is made for use of the fixture for any other purpose than that for which it is designed. Any use of the fixture for any other purpose constitutes a modification of the fixture without prior written authorization from the manufacturer, which will void the warranty.

HWR-14153 250/150W



HWR-14153 (Coated lamps)



--- 0° S/MH 1.6
 --- 90° S/MH 0.8
 --- 180° S/MH 0.4

EFFIC: 58.9%

ITL TEST #51791

LER = 43.2 AEC = \$5.55

CANDLEPOWER DISTRIBUTION

	0.0	45.0	90.0	135.0	180.0
0	8707	8707	8707	8707	8707
10	13514	11280	7841	5826	5341
30	14614	10026	3981	2509	2298
50	3819	2541	1020	890	890
70	502	445	283	227	227
90	0	0	0	0	0
110	503	464	307	236	189
130	2108	1581	912	637	566
150	8761	5450	2359	1864	1667
170	7644	6127	3901	2878	2690
180	4388	4388	4388	4388	4388

* LER (Luminaire Efficacy Rating) = Luminaire Effic. x Total Lamp Lumens x Ballast Factor / Input Watts

* AEC = Annual Energy Cost per 1000 lumens (based on 3000 hours use @ \$0.08 KWH).

SUBMITTAL DATA

APPROVAL STAMP

JOB NAME

TYPE

WATTAGE

VOLTAGE

CATALOG NUMBER