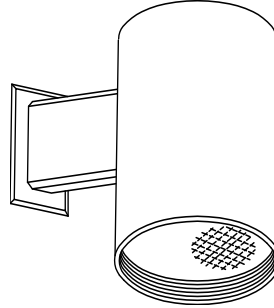


Wall Bracket Lensed E-Lamp "Pulse Start" Direct/Indirect: 50 to 250 Watt



14" 250/250W HWR-14152

Features

Lamp

- Designed for metal halide E-lamps. See chart below for standard and optional wattages.
- See Option -43 and chart below for lower wattage or HPS availability.

Sockets

- Pulse rated. Glazed porcelain.
- Nickel-plated brass screw shell. Silicone leads.

Reflectors

- Specular parabolic or ellipsoidal Alzak® aluminum.

Trim Assemblies

- Direct: Seamless tapered black OptiGroove with white interlocking flange and UV absorbing tempered prismatic low brightness C#73 flat glass lens.

- Indirect: UV absorbing tempered prismatic low brightness C#73 flat glass on upper reflector.
- Optional lenses and trims available.

Ballast Assembly: Specify Voltage

- WhisperPack™ fully encapsulated 180°C rated HPF pulse start ballasts.
- 50-150 watt: Class H, high reactance for 120 volt and Options -65, -66; linear reactor for 277 volt.
- 175-250 watt: Super CWA for 120 volt and Options -65, -66; Class H, linear reactor for 277 volt.
- Capacitor and ignitor supplied.
- Wired for two circuits.
- Dimming (-39) and electronic (-96) ballasts available. See Options.
- Cool, quiet, long-life. Silicone leads.

Fuse

- Fused primary. Renewable. Not for 480 volt.

Housing

- Seamless white acrylic enameled aluminum with wall bracket. No visible hardware. See Options for other colors.
- Cool: Dissipates heat across entire surface area.
- Rustproof: Exceeds 1000 hour ASTM 5% salt spray test.

Installation

- Wall bracket extrusion(s) assembled to housing. Wall plate included, for recessed outlet box.
- Mounting hardware included.
- Indoor or outdoor for covered ceiling use. (See Option -86)

UL, C-UL (Canada) Listings

- Wet, damp or dry locations, covered ceilings. (See Option -86)
- **Three Year Limited Warranty**
- Complete standard fixture, including ballast.

Wattage Availability

Catalog No.	Lamp/Base	Standard Wattage Direct/Indirect		Option -43: Lower Wattage		Max. Standby Wattage (-49-65-66-LS)	Lamp Position
		Pulse MH	-24 (HPS)	Pulse MH	-24 (HPS)		
HWR-14152	ED-28/Mog	250/250	250/250	150-200*	50-150	100	Vert/Hor

*175 watt pulse start available only in vertical base up position.

Options

Sources and Ballasts

- 24 HPS ballast instead. See wattage chart above for available wattages. Specify voltage.
- 39 Remote (10' max.) electronic dimming ballasts instead, for pulse start metal halide. Consult factory for wattage and voltage availability.
- 96 Remote (15' max.) electronic MH ballasts instead. Consult factory for availability in 175W or above, or for internal mounting.

Wattage and Voltage

- 43 Lower wattage: See Option -43 chart above for available lower wattages. Specify voltage.
- 120 120 volt, 60 Hz. ballasts.
- 277 277 volt, 60 Hz. ballasts.
- 347 347 volt, 60 Hz. ballasts. Consult factory for dimming or electronic.
- 97 Other voltage ballasts. Consult factory.

Relays, Standbys, Lamps (See Chart)

- 49 Extra circuit DCB socket. Do not energize simultaneously with main source. Also see -LS.

- 65 Electronic standby system and DCB socket. Following HID outage, provides immediate light until HID restrikes. Also see -66 and -LS.
- 66 Electronic time delay standby system and DCB socket. Following outage, provides light until HID reaches 70% output. Also see Option -LS.
- HL Hi-Lo wiring modification, for use with external relay systems (by others). 175 watt or above. Specify system separately.
- LP With lamp. Specify source, wattage, color temperature, and clear or coated. (3700°K standard for metal halide)
- LS With T-4 DCB tungsten halogen standby lamp. Use only with Options -49, -65 or -66.

Lenses and Trims (Direct Position Only)

- 27 Clear 1/4" tempered glass beneath tempered prismatic C#73 flat glass lens for impact resistance.
- 40 White grooveless flare trim assembly instead.
- 46 Gasket between trim and lens.

Luminaire (Housing) Finishes

- 35 Natural Aluminum enameled luminaire finish instead.
- 36 Gold enameled luminaire finish instead.
- 37 Dark Bronze enameled luminaire finish instead.
- 38 Black enameled luminaire finish instead.
- 94 Custom color luminaire finish. Consult factory.

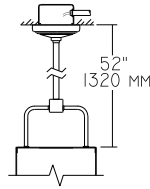
Mounting Options

- 87 Custom wall bracket length (specify or consult factory) or -PM pendant length (consult factory for longer lengths with couplers).
- 88 Swivel canopy for sloped ceilings up to 45°.
- PM Pendant mount instead for HWR-14152 only. 3/8" T.S. x 48" stem standard. Also see -87, -88.

Other Options

- 86 Gasketed prismatic glass WeatherCap for indirect position of luminaire; for installation in areas exposed to weather. Required for "Wet" label. Not available with Option -PM. (
- 99 Special modification. Consult factory.

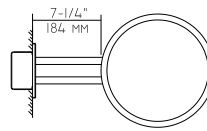
HWR-14152



Representative View:

(Left) Optional pendant mount

(Option -PM)

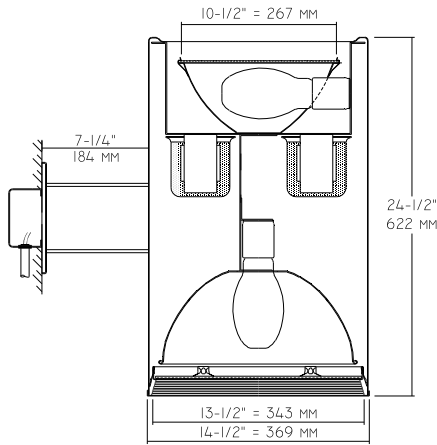


Cone of Light Key

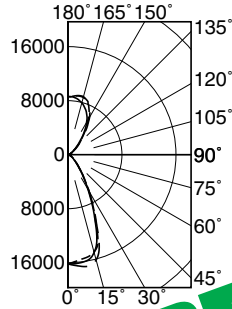
- Ft.** Distance from fixture
- FC** Footcandles (average)
- Dia.** Circle of light at 50% of FC
- * Dia. (in ft.) shown is where FC value is half the FC at nadir.

C.U. (Coefficients of Utilization)
Tables are available on request.
Please contact your Kirlin representative.

HWR-14152 250/250W



HWR-14152 (Clear Lamp Down, Coated Up)



EFFIC: 61.6%

ITL TEST #51640

LER = 45.6 AEC = \$5.26

CANDLEPOWER DISTRIBUTION

	0.0	45.0	90.0	135.0	180.0
0	16180	16180	16180	16180	16180
10	15479	15366	15950	16489	16802
30	6251	5860	5946	5772	6285
50	1340	1323	1193	1254	1306
70	435	410	382	383	400
90	0	0	0	0	0
110	394	366	366	380	422
130	1603	1505	1405	1561	1715
150	3102	5165	5527	6004	6412
170	8831	8591	8351	8365	8887
180	8591	8591	8591	8591	8591

--- 0° S/MH 0.9
 --- 90° S/MH 0.8
 --- 180° S/MH 0.9

THIS FIXTURE IS NO LONGER AVAILABLE FOR CONSULT FACTORY REPLACEMENT

* LER (Luminaire Efficacy Rating) = $\frac{\text{Luminaire Effic.} \times \text{Total Lamp Lumens} \times \text{Ballast Factor}}{\text{Input Watts}}$

• AEC = Annual Energy Cost per 1000 lumens (based on 3000 hours use @ \$0.08 KWH).

SUBMITTAL DATA

APPROVAL STAMP

JOB NAME

TYPE

WATTAGE

VOLTAGE

CATALOG NUMBER

LIMITED WARRANTY: CATALOGED KIRLIN FIXTURES ARE WARRANTED FREE OF DEFECTS IN WORKMANSHIP OR MATERIAL FOR THREE YEARS FROM DATE OF PURCHASE. INSTALLED TO N.E.C., IN NORMAL USE. Manufacturer at his option will replace or repair such fixture or refund the purchase price on presentation of proof of purchase and defective fixture at the office of manufacturer within three years of original shipment. Liability of manufacturer is limited to the foregoing, and manufacturer shall not be liable for any other damages, direct or indirect, sustained or suffered by or for any person in connection with the use of the fixture. Any modification of the fixture without prior written authorization from the manufacturer will render the warranty void.