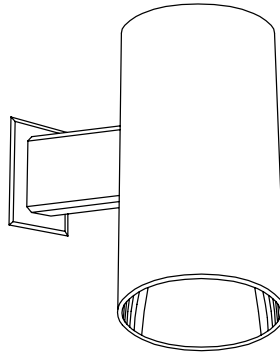


### Wall Bracket Open "Pulse Start" PAR and E-Lamp Direct/Indirects: 39 to 150 Watt



6"	100/100W	<b>HWR-06140</b>
9"	150/150W	<b>HWR-09141</b>
6"	100/100W	<b>HWR-06142</b>

### Features

#### Lamp

- Designed for metal halide PAR or open rated E-lamps. See chart below for standard and optional lamps and wattages.
- See Option -43 and chart below for lower wattage.

#### Sockets

- Vertical. Medium base. Pulse and open rated. Glazed porcelain.
- Nickel-plated brass screw shell. Silicone leads.

#### Reflectors

- Self-flanged parabolic specular Alzak® aluminum.
- Ten optional finishes available for direct position. See Options.

#### Ballast Assembly: Specify Voltage HWR-06140, HWR-06142

- Regulating electronic high power factor,

thermally protected encased and potted.

- Wired for two circuits.
- Starting temperature -15°C.
- Built-in RIF filter. THD is less than 10%.
- Sound rating A. Silicone leads.
- Dimming (-39) ballasts available. See Options.
- Cool, quiet, long-life.

#### Ballast Assembly: Specify Voltage HWR-09141

- WhisperPack™ fully encapsulated 180°C rated HPF pulse start ballasts.
- Premium Class H, high reactance for 120 volt; linear reactor for 277 volt.
- Capacitor and ignitor supplied.
- Wired for two circuits.
- Dimming (-39) and electronic (-96) ballasts available. See Options.
- Cool, quiet, long-life. Silicone leads.

#### Fuse

- Fused primary. Renewable. Aids servicing. One per ballast.

#### Housing

- White acrylic enameled aluminum with wall bracket. No visible seam or hardware. See Options for other colors.
- Cool: Dissipates heat across entire surface.
- Rustproof: Exceeds 1000 hour ASTM 5% salt spray test.

#### Installation

- Wall bracket extrusion(s) assembled to housing. Wall plate included, for recessed outlet box.
- Mounting hardware included.
- Indoor or outdoor for covered ceiling use. (See Option -86)

#### UL, C-UL (Canada) Listings

- Wet, damp or dry locations, covered ceilings. (See Option -86)

#### Three Year Limited Warranty

- Complete standard fixture, including ballast.

### Wattage / Lamp Availability

Catalog No.	Designed For:				Option -43: Lower Wattage
	Standard Lamp (Direct/Indirect)		Optional Lamp(s)		
HWR-06140	100/100 PAR 38	35° MFL	20° SP	65° FL	39-70
HWR-09141	150/150 PAR 38	35° MFL	20° SP	65° FL	70-100

Catalog No.	Lamp/Base	Standard Wattage Pulse MH (Direct/Indirect)	Option -43: Lower Wattage Pulse MH	Lamp Position(s)
HWR-06142	ED-17/Med	100/100	50-70	Vert/Vert

### Options

#### Sources and Ballasts

- 39 Remote (10' max.) electronic dimming ballasts instead, for pulse start metal halide. Consult factory for wattage and voltage availability.
- 96 Remote (15' max.) electronic MH ballasts instead for HWR-09141 only. Consult factory for internal mounting.

#### Wattage and Voltage

- 43 Lower wattage: See Option -43 chart above for available lower wattages. Specify voltage.

- 120 120 volt, 60 Hz. ballasts.
- 277 277 volt, 60 Hz. ballasts.
- 347 347 volt, 60 Hz. ballasts. Consult factory for dimming or electronic.
- 97 Other voltage ballasts. Consult factory.

#### Lamps (See Chart)

- LP With lamp. Specify wattage, beam spread, type

(PAR 20, PAR 38), source, color temperature, and clear or coated, where applicable. (3700°K standard for metal halide)

#### Reflectors and Trims (Self-Flanged) For Direct Position Only (See CP Multiplier Chart on Back)

- 16 Champagne Gold Alzak reflector.
- 30 All White reflector. Not available for HWR-06142.
- 63 Dune specular Alzak reflector.
- 69 Wheat specular Alzak reflector.
- 70 SofTex Clear softly etched reflector.
- 71 SofTex Dune softly etched reflector.
- 72 Black specular Alzak reflector. Not available for HWR-06142.
- 77 SofTex Pewter softly etched reflector.
- 90 SofTex Champagne Gold softly etched reflector.
- 91 SofTex Wheat softly etched reflector.
- 92 Umber specular Alzak reflector. Not available for HWR-06142.
- 93 Pewter specular Alzak reflector.
- 94 Custom color reflector. Consult factory.

- OG OptiGroove black seamless tapered aluminum reflector. White trim. Not available for HWR-06142.

#### Lenses

- 86 Gasketed prismatic glass WeatherCap for indirect position of luminaire; for installation in areas exposed to weather. Required for "Wet" label.

#### Luminaire (Housing) Finishes

- 35 Natural Aluminum enameled luminaire finish instead.
- 36 Gold enameled luminaire finish instead.
- 37 Dark Bronze enameled luminaire finish instead.
- 38 Black enameled luminaire finish instead.
- 94 Custom color luminaire finish. Consult factory.

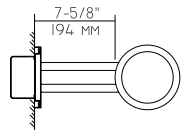
#### Mounting Options

- 87 Custom wall bracket length. Specify or consult factory for available lengths.

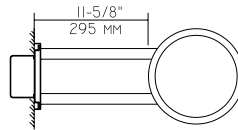
#### Other Options

- 99 Special modification. Consult factory.

**HWR-06140**  
**HWR-09141**  
**HWR-06142**



Plan View A



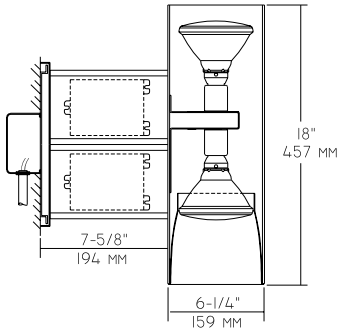
Plan View B

**Cone of Light Key**  
**Ft.** Distance from fixture  
**FC** Footcandles (average)  
**Dia.** Circle of light at 50% of FC  
 \* Dia. (in ft.) shown is where FC value is half the FC at nadir.

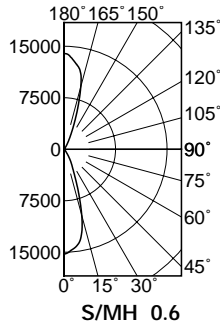
C.U. (Coefficients of Utilization) Tables are available on request. Please contact your Kirlin representative.

LIMITED WARRANTY: CATALOGED KIRLIN FIXTURES ARE WARRANTED FREE OF DEFECTS IN WORKMANSHIP OR MATERIAL FOR THREE YEARS FROM DATE OF PURCHASE. INSTALL TO N.E.C., IN NORMAL USE. Manufacturer at his option will repair or replace such fixture or refund the purchase price of such fixture, at his option, if such fixture is found to be defective in workmanship or material, provided that such fixture is used in accordance with the instructions for use and is not subject to abuse, misuse, or modification of the fixture without prior written authorization from the manufacturer. This warranty does not cover damage to merchandise or fixtures of a particular use, nor will any oral statement constitute a warranty or alter the specific warranty. Abnormal use, abuse of the fixture, improper installation, or repair, or modification of the fixture without prior written authorization from the manufacturer will render the warranty void.

**HWR-06140 100/100W (Plan View A)**



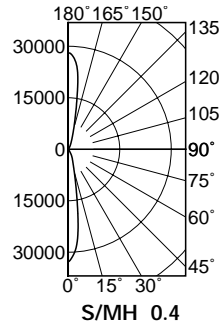
**35° Medium Flood**



**EFFIC: 87.5%**  
**ITL TEST #52125**  
**LER = 42.0 AEC = \$5.71**

CANDLEPOWER DISTRIBUTION					
	0.0	22.5	45.0	67.5	90.0
0	15273	15273	15273	15273	15273
10	13483	13483	13483	13483	13483
30	1702	1702	1702	1702	1702
50	94	94	94	94	94
70	0	0	0	0	0
90	0	0	0	0	0
110	10	10	10	10	10
130	58	58	58	58	58
150	1045	1045	1045	1045	1045
170	12168	12168	12168	12168	12168
180	13932	13932	13932	13932	13932

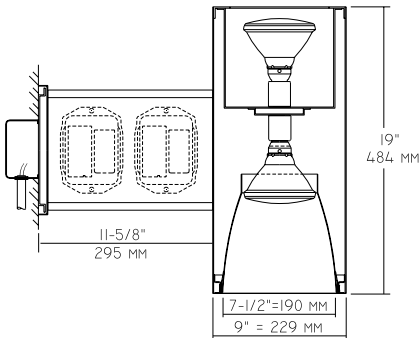
**20° Spot**



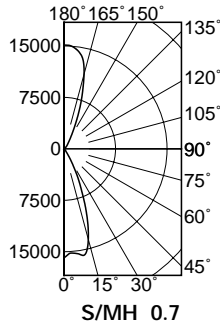
**EFFIC: 87.7%**  
**ITL TEST #52126**  
**LER = 40.8 AEC = \$5.89**

CANDLEPOWER DISTRIBUTION					
	0.0	22.5	45.0	67.5	90.0
0	32774	32774	32774	32774	32774
10	14700	14700	14700	14700	14700
30	1461	1461	1461	1461	1461
50	61	61	61	61	61
70	0	0	0	0	0
90	0	0	0	0	0
110	8	8	8	8	8
130	52	52	52	52	52
150	973	973	973	973	973
170	14429	14429	14429	14429	14429
180	28059	28059	28059	28059	28059

**HWR-09141 150/150W (Plan View B)**



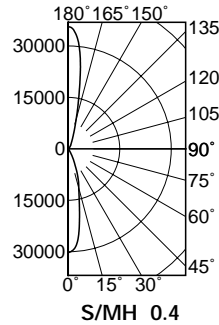
**35° Medium Flood**



**EFFIC: 89.4%**  
**ITL TEST #52092**  
**LER = 40.4 AEC = \$5.94**

CANDLEPOWER DISTRIBUTION					
	0.0	22.5	45.0	67.5	90.0
0	15906	15906	15906	15906	15906
10	15779	15779	15779	15779	15779
30	2174	2174	2174	2174	2174
50	25	25	25	25	25
70	0	0	0	0	0
90	0	0	0	0	0
110	55	55	55	55	55
130	248	248	248	248	248
150	1937	1937	1937	1937	1937
170	13999	13999	13999	13999	13999
180	15130	15130	15130	15130	15130

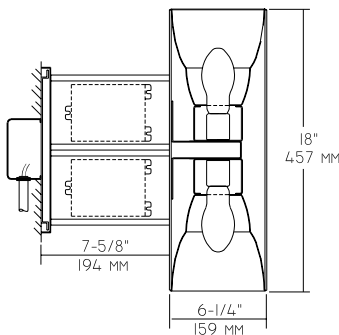
**20° Spot**



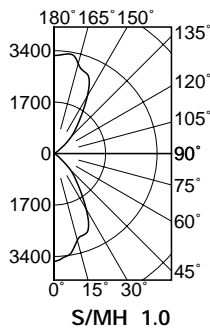
**EFFIC: 89.9%**  
**ITL TEST #52093**  
**LER = 40.6 AEC = \$5.91**

CANDLEPOWER DISTRIBUTION					
	0.0	22.5	45.0	67.5	90.0
0	30249	30249	30249	30249	30249
10	18929	18929	18929	18929	18929
30	1535	1535	1535	1535	1535
50	16	16	16	16	16
70	0	0	0	0	0
90	0	0	0	0	0
110	61	61	61	61	61
130	205	205	205	205	205
150	1653	1653	1653	1653	1653
170	19502	19502	19502	19502	19502
180	35624	35624	35624	35624	35624

**HWR-06142 100/100W (Plan View A)**



(Coated Lamp)



**EFFIC: 51.2%**  
**ITL TEST #51499**  
**LER = 30.5 AEC = \$7.86**

CANDLEPOWER DISTRIBUTION					
	0.0	22.5	45.0	67.5	90.0
0	3573	3573	3573	3573	3573
10	3315	3315	3315	3315	3315
30	2120	2120	2120	2120	2120
50	335	335	335	335	335
70	0	0	0	0	0
90	0	0	0	0	0
110	0	0	0	0	0
130	461	461	461	461	461
150	2199	2199	2199	2199	2199
170	3325	3325	3325	3325	3325
180	3241	3241	3241	3241	3241

CP Multipliers:	PAR	E-Lamp
-16 Champagne Gold	.98	.93
-30 White	.98	—
-63 Dune Alzak	.97	.90
-69 Wheat Alzak	.97	.88
-70 SofTex Clear	.98	.90
-71 SofTex Dune	.95	.81
-72 Black Alzak	.87	—
-77 SofTex Pewter	.90	.78
-90 SofTex Champagne Gold	.96	.84
-91 SofTex Wheat	.95	.80
-92 Umber Alzak	.92	—
-93 Pewter Alzak	.95	.85
-OG Black OptiGroove	.90	—

\* LER (Luminaire Efficacy Rating) = Luminaire Effic. x Total Lamp Lumens x Ballast Factor / Input Watts

\* AEC = Annual Energy Cost per 1000 lumens (based on 3000 hours use @ \$0.08 KWH).

SUBMITTAL DATA

JOB NAME \_\_\_\_\_  
 TYPE \_\_\_\_\_  
 WATTAGE \_\_\_\_\_ VOLTAGE \_\_\_\_\_  
 CATALOG NUMBER \_\_\_\_\_

APPROVAL STAMP