

### Surface Lensed E-Lamp "Pulse Start" Regressed Downlights: 150 to 400 Watt

14" 400W **HSR-14135**

#### Features

##### Lamp

- Designed for mogul base metal halide ED-37 lamp. See chart below for standard and optional wattages.
- See Option -43 and chart below for lower wattage or HPS availability.

##### Socket

- Vertical. Mogul base. Pulse rated.
- Nickel-plated brass screw shell. Silicone leads. Glazed porcelain.

##### Reflector

- Specular Alzak® aluminum.

##### Trim Assembly

- Seamless tapered black OptiGroove with white flange. Self-flanged trim.
- UV absorbing tempered prismatic low brightness C#73 flat glass lens.
- Optional trims and lenses available.

##### Ballast Assembly: Specify Voltage

- WhisperPack™ fully encapsulated 180°C rated HPF pulse start ballast.
  - 150 watt: Class H, high reactance for 120V and Options -65, -66; linear reactor for 277V.
  - 175-400 watt: Super CWA for 120V and Options -65, -66, -HL; Class H, linear reactor for 277V.
  - Capacitor and ignitor supplied.
  - Dimming (-39) and electronic (-96) ballasts available. See Options.
  - Cool, quiet, long-life. Silicone leads.
- ##### Fuse
- Fused primary. Renewable. Aids servicing.
- ##### Housing
- White acrylic enameled aluminum.
  - No visible seam or cylinder hardware.
  - Cool: Dissipates heat across entire surface.

- Rustproof: Exceeds 1000 hour ASTM 5% salt spray test.
- ##### Installation
- Center point mounting for snug fit to ceiling. Mounting hardware furnished.
  - QuickConnect mounting system available (Option -QM).
  - Surface J-box mount available. (Option -80)
  - Pendant or wall bracket mount available. (See Options -PM, -WB)
  - Indoor or outdoor for covered ceiling use. (See Options -QM, -89)
- ##### UL, C-UL (Canada) Listings
- Wet, damp or dry locations, covered ceilings. (See Options -QM, -89)
- ##### Three Year Limited Warranty
- Complete standard fixture, including ballast.

#### Wattage Availability

Catalog No.	Lamp/Base	Standard Wattage		Option -43: Lower Wattage		Max. Standby Wattage (-49-65-66-LS)
		Pulse MH	-24 (HPS)	Pulse MH	-24 (HPS)	
HSR-14135	ED-37/Mog	400	400	150-350	150-250	250

#### Options

##### Sources and Ballasts

- 24 HPS ballast instead. See wattage chart above for available wattages. Specify voltage.
- 39 Remote (10' max.) electronic dimming ballast instead, for pulse start metal halide. Consult factory for wattage and voltage availability.
- 96 Remote (15' max.) electronic MH ballast. Consult factory for availability in 175W or above, or for internal mounting.

##### Wattage and Voltage

- 43 Lower wattage: See Option -43 chart above for available lower wattages. Specify voltage.
- 120 120 volt, 60 Hz. ballast.
- 277 277 volt, 60 Hz. ballast.
- 347 347 volt, 60 Hz. ballast. Consult factory for dimming or electronic.
- 97 Other voltage ballast. Consult factory.

##### Relays, Standbys, Lamps (See Chart)

- 49 Extra circuit DCB socket. Do not energize simultaneously with main source. Also see -LS.
- 65 Electronic standby system and DCB socket. Following HID outage, provides immediate light until HID restriks. Also see -66 and -LS.

- 66 Electronic time delay standby system and DCB socket. Following outage, provides light until HID reaches 70% output. Also see Option -LS.
- HL Hi-Lo wiring modification, for use with external relay systems. 175 watt or above. CWA ballast only. Specify system.
- LP With lamp. Specify source, wattage, color temperature, and clear or coated. (3700°K standard for metal halide)
- LS With T-4 DCB tungsten halogen standby lamp. Use only with Options -49, -65 or -66.

##### Lenses and Trims

- 27 Clear 1/4" tempered glass beneath tempered prismatic C#73 flat glass lens for impact resistance.
- 40 White grooveless flare trim assembly instead.
- 45 Gasket between trim and housing.
- 46 Gasket between trim and lens.
- 94 Custom color trim assembly. Consult factory.
- ML UV absorbing tempered Microlux glass instead.

##### Luminaire (Housing) Finishes

- 35 Natural Aluminum enameled luminaire finish instead.
- 36 Gold enameled luminaire finish instead.
- 37 Dark Bronze enameled luminaire finish instead.

- 38 Black enameled luminaire finish instead.
- 94 Custom color luminaire finish. Consult factory.

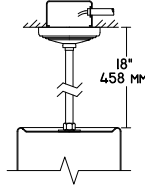
##### Mounting Options

- 54 Safety cable through pendant stem. 12" longer than specified stem length. Anchored to fixture. Use with Option -PM.
- 80 2" concealment collar for mounting luminaire beneath surface outlet box. 1/2" T.S. KO's. Also see Option -89.
- 87 Custom -PM length. Specify up to 4 feet or consult factory for longer lengths with couplers.
- 88 Swivel canopy for sloped ceilings up to 45°. Earthquake rated. Use with Option -PM.
- 89 Sealed top feature prevents moisture and insect intrusion from above in outdoor or high humidity areas. Must add to Options -80, -PM or -WB for Wet Label listing.
- PM Pendant mount instead. 3/8" T.S. x 18" standard. Also see Options -54, -87, -88, -89.
- QM QuickConnect mount, for indoor (damp or dry) use only. Housing swings aside for easy wiring, then pivots and locks to matte black collar.
- WB Wall bracket mount instead. Also see Option -89.

##### Other Options

- 99 Special modification. Consult factory.

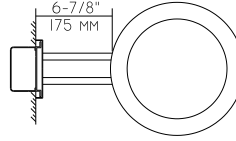
### HSR-14135



Representative Views:

(Right) With optional wall bracket (Option -WB)

(Left) With optional pendant mount (Option -PM)

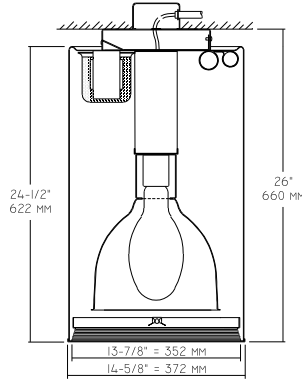


#### Cone of Light Key

- Ft.** Distance from fixture
- FC** Footcandles (average)
- Dia.** Circle of light at 50% of FC
- \* Dia. (in ft.) shown is where FC value is half the FC at nadir.

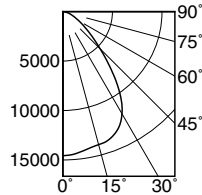
C.U. (Coefficients of Utilization) Tables are available on request. Please contact your Kirlin representative.

### HSR-14135 400W



SHOWN WITH OPTION -QM

#### HSR-14135 (Clear Lamp)



S/MH 1.2

#### Cone of Light\*

Ft.	FC	Dia.
10	145.7	12.0
15	64.8	18.1
20	36.4	24.1
25	23.3	30.2
30	16.2	36.2
35	11.9	42.2

EFFIC: 59.1%

ITL TEST #51638  
LER = 53.9 AEC = \$4.45

	CANDLEPOWER DISTRIBUTION				
	0.0	22.5	45.0	67.5	90.0
<b>0</b>	14570	14570	14570	14570	14570
<b>5</b>	14427	14427	14427	14427	14427
<b>15</b>	13927	13927	13927	13927	13927
<b>25</b>	13120	13120	13120	13120	13120
<b>35</b>	9981	9981	9981	9981	9981
<b>45</b>	5322	5322	5322	5322	5322
<b>55</b>	2636	2636	2636	2636	2636
<b>65</b>	1287	1287	1287	1287	1287
<b>75</b>	587	587	587	587	587
<b>85</b>	6	6	6	6	6
<b>90</b>	0	0	0	0	0

\* LER (Luminaire Efficacy Rating) = Luminaire Effic. x Total Lamp Lumens x Ballast Factor / Input Watts

• AEC = Annual Energy Cost per 1000 lumens (based on 3000 hours use @ \$0.08 KWH).

### SUBMITTAL DATA

### APPROVAL STAMP

JOB NAME

TYPE

WATTAGE

VOLTAGE

CATALOG NUMBER

LIMITED WARRANTY: CATALOGED KIRLIN FIXTURES ARE WARRANTED FREE OF DEFECTS IN WORKMANSHIP OR MATERIAL FOR THREE YEARS FROM DATE OF PURCHASE. INSTALLED TO N.E.C. IN NORMAL USE. Manufacturer at his option will replace or repair said fixture or refund the purchase price on presentation of proof of purchase and defective fixture at the offices of manufacturer within three years of original shipment. Liability of manufacturer is limited to the foregoing, and manufacturer shall not be liable for any other damages, direct or indirect, sustained or suffered by or for any person in connection with the use of the fixture. No warranty or fitness for a particular use, nor will any oral statement constitute a warranty or amend this specific warranty. Additional use, abuse of the fixture, improper installation, or repair, or modification of the fixture without prior written authorization from the manufacturer will render the warranty void.