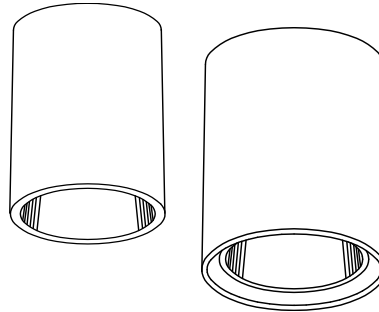


Surface Open PAR Lamp "Pulse Start" Adjustables: 39 to 150 Watt



9" 100W **HSR-09091**

12" 150W **HSR-12092**

Features

Lamp

- Designed for metal halide PAR lamps. See chart below for standard and optional lamps and wattages.
- See Option -43 and chart below for lower wattage.

Socket Assembly

- Adjustable. Swivels 358° and tilts up to 30°.

Socket

- Medium base. Pulse rated. Glazed porcelain.
- Nickel-plated brass screw shell. Silicone leads.

Reflector

- Self-flanged clear specular Alzak® aluminum.
- Fourteen optional reflector finishes available.

Ballast Assembly: Specify Voltage

- WhisperPack™ fully encapsulated 180°C

rated HPF pulse start ballast, except core and coil ballast for HSR-09091.

- Premium Class H; High reactance for 120 volt, linear reactor for 277 volt.
- Capacitor and ignitor supplied.
- Dimming (-39) and electronic (-96) ballasts available. See Options.
- Cool, long-life. Silicone leads.

Fuse

- Fused primary. Renewable. Not for 480 volt.

Housing

- Seamless white acrylic enameled aluminum. Deep drawn.
- No visible cylinder hardware.
- Cool: Dissipates heat across entire surface area. Ventilated.

- Rustproof: Exceeds 1000 hour ASTM 5% salt spray test.

- HSR-12092: Interlocking flare trim ring.

Installation

- Center point mounting for snug fit to ceiling. Mounting hardware furnished.
- QuickConnect mounting system available (Option -QM).
- Surface J-box mount available. (Option -80)
- Pendant or wall bracket mount available. (See Options -PM, -WB)
- Indoor or outdoor for covered ceiling use. (See Options -QM, -89)

UL, C-UL (Canada) Listings

- Wet, damp or dry locations, covered ceilings. (See Options -QM, -89)

Three Year Limited Warranty

- Complete standard fixture, including ballast.

Wattage / Lamp Availability

Catalog No.	Designed For:				Option -43: Lower Wattage	Fixture Style
	Standard Lamp		Optional Lamp(s)			
HSR-09091	100 PAR 38	15° SP	25° MFL 65° FL		39-70	Flange Trim
HSR-12092	150 PAR 38	20° SP	35° MFL 65° FL		70-100	Flare trim

Options

Sources and Ballasts

- 39 Remote (10' max.) electronic dimming ballast instead, for pulse start metal halide. Consult factory for wattage and voltage availability.
- 96 Remote (15' max.) electronic MH ballast instead. Consult factory for internal mounting.

Wattage and Voltage

- 43 Lower wattage: See Option -43 chart above for available lower wattages. Specify voltage.
- 120 120 volt, 60 Hz. ballast.
- 277 277 volt, 60 Hz. ballast.
- 347 347 volt, 60 Hz. ballast. Consult factory for dimming or electronic.
- 97 Other voltage ballast instead. Consult factory.

Lamps (See Chart)

- LP With lamp. Choose standard lamp shown above or specify wattage, beam spread, style (PAR 30, PAR 38), brand and color temperature.

Reflectors and Trims (Self-Flanged)

- 16 Champagne Gold specular Alzak reflector. (CP x .98)
- 30 All White reflector. (CP x .98)
- 31 White flange (only) on reflector.
- 63 Dune specular Alzak reflector. (CP x .97)
- 69 Wheat specular Alzak reflector. (CP x .97)
- 70 SoftTex Clear softly etched reflector. (CP x .98)
- 71 SoftTex Dune softly etched reflector. (CP x .95)
- 72 Black specular Alzak reflector. (CP x .87)
- 77 SoftTex Pewter softly etched reflector. (CP x .90)
- 90 SoftTex Champagne Gold softly etched reflector. (CP x .96)
- 91 SoftTex Wheat softly etched reflector. (CP x .95)
- 92 Umber specular Alzak reflector. (SP x .92)
- 93 Pewter specular Alzak reflector. (CP x .95)
- 94 Custom color reflector. Consult factory.
- OG OptiGroove; black seamless tapered aluminum. White trim.

Luminaire (Housing) Finishes

- 35 Natural Aluminum enameled luminaire finish instead.
- 36 Gold enameled luminaire finish instead.
- 37 Dark Bronze enameled luminaire finish instead.
- 38 Black enameled luminaire finish instead.

- 94 Custom color luminaire finish. Consult factory.

Mounting Options

- 54 Safety cable through pendant stem. 12" longer than specified stem length. Anchored to fixture. Use with Option -PM.
- 80 2" concealment collar for mounting luminaire beneath surface outlet box. 1/2" T.S. KO's provided. Also see Option -89.
- 87 Custom -PM length. Specify up to 4 feet or consult factory for longer lengths with couplers.
- 88 Swivel canopy for sloped ceilings up to 45°. Earthquake rated. Use with Option -PM.
- 89 Sealed top feature prevents moisture and insect intrusion from above in outdoor or high humidity areas. Must add to Options -80, -PM or -WB for Wet Label listing.
- PM Pendant mount instead. 3/8" T.S. x 18" standard. Also see Options -54, -87, -88, -89.
- QM QuickConnect mount, for indoor (damp or dry) use only. Housing swings aside for easy wiring, then pivots and locks to matte black collar.
- WB Wall bracket mount instead. Also see Option -89.

Other Options

- 99 Special modification. Consult factory.

