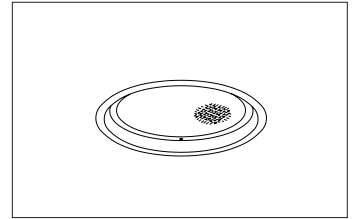


CATALOG #	TYPE	
JOB NAME	WATTAGE	VOLTAGE

7" T6 CERAMIC METAL HALIDE 150 WATT MAXIMUM HRV-07327

Vandal Resistant Regressed Lens T6 Downlight

Tamper Proof Trim, Lens and Hardware



Effective 1.4 SC
Aesthetic Appeal

Specifications

Lamp

- Designed for horizontal T6 bi-pin ceramic metal halide lamp.
- Up to 96 CRI. 12,000-15,000 hour life.
- For lower wattages, see Option -43.

Socket (5kV rated)

- G12 bi-pin base.
- Porcelain body. Silicone leads.

Reflector

- Ellipsoidal specular Alzak® aluminum.

Trim / Lens Assembly

- Vandal resistant smooth white seamless tapered aluminum self-flanged trim.
- Flush center pin tamperproof hex screws and captive nuts secure trim to housing.
- Lens: UV absorbing tempered prismatic C#73 above 3/16" clear tempered glass.
- Continuous ring secures lens to trim.
- Tamperproof tool included.

Electronic Ballast

- Full electronic circuitry provides constant color and constant wattage, ensuring consistent performance and long life.

- Input voltage 120V-277V, 50/60 Hz. For other voltages, see Options.
- 150 watt standard. Add Option -43 and specify for 100, 70, 39 or Type IC 20 watt.
- Minimum starting temperature -20°C/-4°F.
- Lamp Current Crest Factor less than 1.5.
- Thermally protected. Provides automatic shut-off if rated temperature is exceeded.
- Internally fused.
- Power factor greater than 90%.
- Input current THD less than 15%.
- Maximum 85°C operation, Sound Rated A.
- Includes lamp end-of-life detection and shutdown circuit.

Aluminum Housing

- Acrylic enameled. Rustproof. Corrosion resistant: Exceeds 1000 hour ASTM 5% salt spray test.
- Lightweight. Minimizes ceiling load.
- Cool operation: Extends component life. Minimizes HVAC load.
- Entire luminaire serviced from below through removable trim.

- Built-in plaster frame.

Outlet Box

- Prewired 14 GA (NEC) galvanized steel, UL listed; with removable insulated cover.
- 1/2" and 3/4" knockouts.

Installation

- 27" galvanized hanger bars with adjustable mounting brackets (2) supplied.
- Recesses indoor or outdoor in covered locations.
- See "MARKED SPACINGS CAUTION" below.

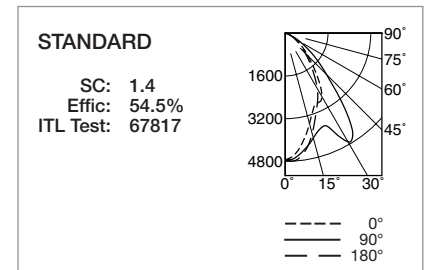
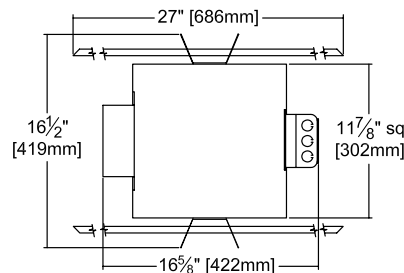
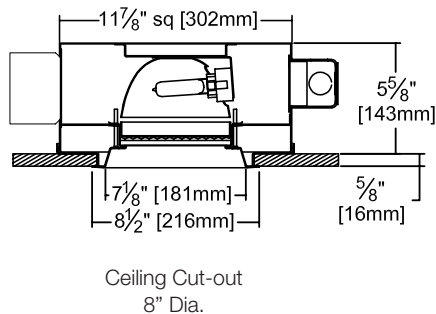
UL, C-UL (Canada) Listings

- Wet, damp or dry locations, covered ceilings.
- Through-branch circuit conductors (6 #12).
- Type IC: 20 watt only.

Three Year Limited Warranty

- Complete standard fixture, including ballast.

Performance at a Glance



"MARKED SPACINGS CAUTION"
FOR STANDARD 150W ONLY, INSTALL WITH MINIMUM SPACINGS AS FOLLOWS: 2 FEET BETWEEN CENTERS OF ADJACENT FIXTURES; 1/2" BETWEEN FIXTURE TOP AND OVERHEAD BUILDING MEMBER; 1 FOOT BETWEEN FIXTURE CENTER AND SIDE WALL.

THE KIRLIN COMPANY

3401 EAST JEFFERSON AVENUE • DETROIT, MICHIGAN 48207-4232
(313) 259-6400 • Fax: (313) 259-9409 OR (313) 259-3121 • www.kirlinlighting.com

COMPACT PULSE START
METAL HALIDE LIGHTING

MAXIMUM WATTAGE

150

CATALOG NUMBER

HRV-07327

Detailed Photometry - Installed Fixture

Photometry from I.T.L., Boulder, CO

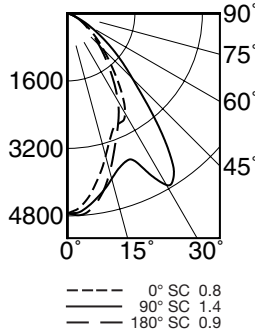
STANDARD

Effic: 54.5%
ITL Test: 67817



Cone of Light ▲

Dist.	FC	Dia.
6	131.6	6.9
8	74.0	9.2
10	47.4	11.5
12	32.9	13.9
14	24.2	16.2
16	18.5	18.5



	CANDLEPOWER DISTRIBUTION				
	0.0	45.0	90.0	135.0	180.0
0	4739	4739	4739	4739	4739
5	4512	4548	4656	4739	4765
15	3499	3719	4059	4028	3889
25	2882	3381	3901	3607	2852
35	2203	2890	4352	3413	1872
45	1206	1650	2180	1879	1062
55	631	804	1031	864	557
65	282	316	346	309	245
75	78	85	88	79	70
85	17	17	18	17	16
90	0	0	0	0	0

▲ Cone of Light Key
Ft. Distance from fixture
FC Footcandles at nadir (0°)
Dia. Circle of light at 50% of FC
 Dia. (in ft.) shown is where FC value is half the FC at nadir.

Photometry based on: 14,000 lumens - 150W

Options

Lenses and Vandal Resistant Trims

- 31 White flange (only) on optional color tapered trim.
- 32 White trim ring to cover larger ceiling opening. Specify outer diameter of ring.
- 35 Natural aluminum (silver) acrylic enamel tapered trim. (Also see Option -31)
- 38 Black acrylic enamel tapered trim. (Also see Option -31)
- 45 Gasket above flange. Stops dust streaks on ceiling.
- 46 Gasket between trim and lens.
- 94 Custom color tapered trim. Consult factory.
- OG Black OptiGroove milligrooved tapered trim with white flange. (CP x .90)

Relays, Standbys, Lamps

- 49 Extra circuit DCB socket (up to 75W). Do not energize simultaneously with main source. Also see Option -LS.
- 65 Electronic standby system and DCB socket (up to 75W). Provides immediate light until CMH restrikes. Also see Options -66 and -LS.
- 66 Electronic time delay standby system and DCB socket (up to 75W). Provides light until CMH reaches 70% output. Also see Option -LS.
- LP With lamp. Specify source, wattage, color temperature / brand. 3000°K standard; consult factory for others.
- LS With T4 DCB tungsten halogen standby lamp (75W). Use only with Options -49, -65 or -66.

Wattage and Voltage

- 43 Lower wattage. T6: specify for 100W, 70W, 39W or Type IC 20W.
- 347 347 volt.
- 97 Other input voltage instead. Consult factory.

Other Options

- 79 Extension collar for up to 2" thick ceilings.
- 99 Special modification. Consult factory.

SUBMITTAL DATA

APPROVAL STAMP

JOB NAME _____
 TYPE _____
 WATTAGE _____ VOLTAGE _____
 CATALOG NUMBER _____

LIMITED WARRANTY: CATALOGED KIRLIN FIXTURES ARE WARRANTED FREE OF DEFECTS IN WORKMANSHIP OR MATERIAL FOR THREE YEARS FROM DATE OF PURCHASE. INSTALL TO N.E.C. IN NORMAL USE. Manufacturer of the option will replace or repair such fixture or refund the purchase price on presentation of proof of purchase and defective fixture at the offices of manufacturer within three years of original shipment. Liability of manufacturer is limited to the foregoing and manufacturer shall not be liable for any other damages, direct or indirect, sustained or suffered by purchaser or any person. This warranty is supplied in place of all other warranties, expressed or implied. Seller does not warrant as to merchantability or fitness for a particular use, nor will any oral statement constitute a warranty or amend this specific warranty. Abnormal use, abuse of the fixture, improper installation, or repair or modification of the fixture without prior written authorization from the manufacturer will render the warranty void.