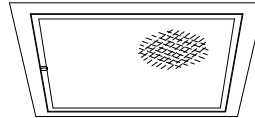


Recessed Lensed E-Lamp Downlight: 150 to 1000 Watt



17" 1000W **HRS-17175**

Features

Lamp

- Designed for mogul base metal halide E-lamps. See chart below for standard and optional wattages.
- See Option -43 and chart below for lower wattage or HPS availability.

Socket

- Vertical.
- Nickel-plated brass screw shell. Silicone leads. Glazed porcelain. Pulse rated.

Reflector

- GlasSurfaced™ specular aluminum.

Trim Assembly

- UV absorbing tempered low brightness prismatic flat glass.
- For drop polycarbonate lens, see Option -42.
- Rustfree die-formed door and captive thumb screw(s). Concealed hinges.
- Beveled cast aluminum frame tooled to ensure close fit with door. White acrylic finish.

Ballast Assembly: Specify Voltage

- WhisperPack™ fully encapsulated 180°C rated HPF pulse start ballast.
- Remote mounted encased and potted indoor enclosed ballast (50' max. distance from lamp).
- 150 watt: Class H, high reactance for 120 volt, linear reactor for 277 volt.
- 175-1000 watt: Super CWA for 120 volt and Options -65, -66, -HL; Class H, linear reactor for 277 volt.
- Capacitor and ignitor supplied.
- Dimming (-39) and electronic (-96) ballasts available. See Options.
- Cool, quiet, long-life, Silicone leads.
- Visible and easily serviced in all ceilings.

Fuse

- Fused primary. Renewable. Not for 480 volt.

Housing

- Acrylic enameled aluminum. Ventilated.
- Cool: Dissipates heat across entire surface.

- Rustproof: Exceeds 1000 hour ASTM 5% salt spray test.
- Entire luminaire serviced from below through removable reflector.
- Built-in plaster frame.

Outlet Box

- Prewired 14 GA (NEC) galvanized steel, UL listed; with removable insulated cover.
- 1/2" and 3/4" knockouts.

Installation

- 27" galvanized hanger bars supplied (2).
- Fully adjustable universal mounting brackets supplied (2).
- Recesses indoor or outdoor in covered locations.

UL, C-UL (Canada) Listings

- Wet, damp or dry locations, covered ceilings.
- For installation in fire resistive construction only.

- Through-branch circuit conductors (6 #12).

Three Year Limited Warranty

- Complete standard fixture, including ballast.

Thermal Protection

- Per current NEC.

Wattage Availability and Cut-Out Dimensions

Catalog No.	Lamp/Base	Standard Wattage		Option -43: Lower Wattage		Max. Standby Wattage (-49-65-66-LS)	Ceiling Cut-Out
		Pulse MH	-24 (HPS)	Pulse MH	-24 (HPS)		
HRS-17175	ED-37/Mog	1000	—	150-875	—	250	19.5" Sq.

Options

Sources and Ballasts

- 24 HPS ballast instead. See wattage chart above for available wattages. Specify voltage.
- 39 Electronic dimming ballast instead, for pulse start metal halide. Consult factory for wattage and voltage availability.
- 96 Regulating electronic MH ballast instead. Consult factory for availability in 175W or above.

Wattage and Voltage

- 43 Lower wattage: See Option -43 chart above for available lower wattages. Specify voltage.
- 120 120 volt, 60 Hz. ballast.
- 277 277 volt, 60 Hz. ballast.
- 347 347 volt, 60 Hz. ballast. Consult factory for dimming or electronic.
- 97 Other voltage ballast. Consult factory.

Relays, Standbys, Lamps (See Chart)

- 49 Extra circuit DCB socket. Do not energize simultaneously with main source. Also see -LS.
- 65 Electronic standby system and DCB socket. Following HID outage, provides immediate light until HID restrikes. Also see -66 and -LS.
- 66 Electronic time delay standby system and DCB socket. Following outage, provides light until HID reaches 70% output. Also see Option -LS.
- HL Hi-Lo wiring modification for use with external relay systems (by others). 175 watt or above. Specify system.
- LP With lamp. Specify source, wattage, color temperature, and clear or coated. (3700°K standard for metal halide)
- LS With T-4 DCB tungsten halogen standby lamp. Use only with Options -49, -65 or -66.

Lenses and Trims

- 26 Tamperproof recessed hex, center pin, button door screw with key. One key per ten fixtures. Also see Option -27.

- 27 Clear 1/4" tempered glass beneath tempered prismatic C#73 flat glass lens for added vandal resistance. Also see Option -26.
- 32 Trim extender. Broadens trim flange by 1".
- 45 Gasket between trim and ceiling.
- 46 Gasket between trim and lens.
- 94 Custom color frame finish. Consult factory.
- DG Drop Guard with tempered flat prismatic glass. Galvanized steel. White acrylic finish.
- TC Teflon coated safety lens; retains glass particles in event of breakage.

Mounting Options

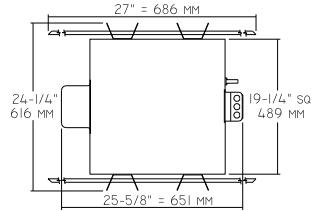
- 85 Ceiling Panel; with recessed fixture hole. Lays-in 2' x 2' grid. White.

Other Options

- 99 Special modification. Consult factory.

HRS-17175

Plan View



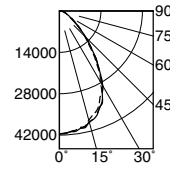
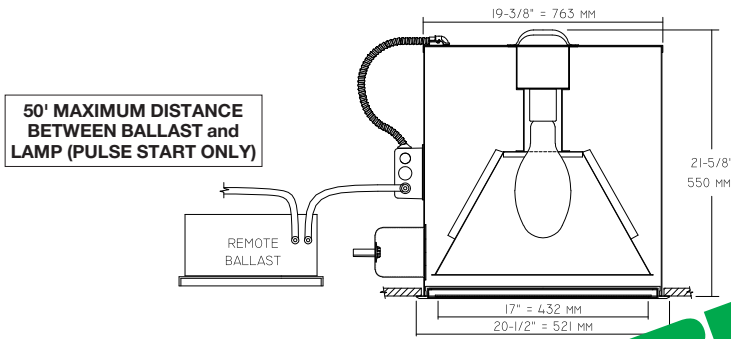
Cone of Light Key

- Ft.** Distance from fixture
- FC** Footcandles (average)
- Dia.** Circle of light at 50% of FC
- * Dia. (in ft.) shown is where FC value is half the FC at nadir.

C.U. (Coefficients of Utilization) Tables are available on request. Please contact your Kirlin representative.

HRS-17175 1000W

HRS-17175 (Coated Lamp)



Cone of Light*

Ft.	FC	Dia.
10	415.6	10.9
15	184.7	16.3
20	103.9	21.8
25	66.5	27.2
30	46.2	32.6
35	33.9	38.1

- 0° S/MH 1.1
- 45° S/MH 1.1
- 90° S/MH 1.1

EFFIC: 57.3%

ITL TEST #51678

LER = 58.0 • AEC = \$4.14

	CANDLEPOWER DISTRIBUTION				
	0.0	22.5	45.0	67.5	90.0
0	41562	41562	41562	41562	41562
5	41000	41067	41033	41569	41067
15	38253	38956	39057	39425	38856
25	32357	33999	33999	34166	4300
35	22041	23682	22878	24518	22778
45	12126	12461	12126	12955	12595
55	5828	5465	6264	6033	5627
65	2881	2847	5115	3182	3082
75	1876	2016	1876	1876	1876
85	603	670	536	670	536
90	0	0	0	0	0

INSTALL IN BUILDINGS OF FIRE RESISTIVE CONSTRUCTION. MOUNT ON NON-COMBUSTIBLE MATERIAL

LIMITED WARRANTY: CATALOGED KIRLIN FIXTURES ARE WARRANTED FREE OF DEFECTS IN WORKMANSHIP OR MATERIAL FOR THREE YEARS FROM DATE OF PURCHASE. INSTALLLED TO N.E.C., IN NORMAL USE. Manufacturer at his option will replace or repair such fixture or refund the purchase price on presentation of proof of purchase and defective fixture at the office of manufacturer within three years of original shipment. Liability of manufacturer is limited to the foregoing, and manufacturer shall not be liable for any other damages, direct or indirect, sustained or suffered by the purchaser or any other person. This warranty shall not apply to any modification of the fixture without prior written authorization from the manufacturer. Manufacturer will render the warranty void if repair, or modification of the fixture without prior written authorization from the manufacturer.

THIS FIXTURE IS NO LONGER AVAILABLE FOR CONSULT FACTORY REPLACEMENT

* LER (Luminaire Efficacy Rating) = Luminaire Effic. x Total Lamp Lumens x Ballast Factor / Input Watts

• AEC = Annual Energy Cost per 1000 lumens (based on 3000 hours use @ \$0.08 KWH).

SUBMITTAL DATA

APPROVAL STAMP

JOB NAME

TYPE

WATTAGE

VOLTAGE

CATALOG NUMBER