

CATALOG #	TYPE	
JOB NAME	WATTAGE	VOLTAGE

6" T6 CERAMIC METAL HALIDE 150 WATT MAXIMUM HRS-06341

## 150 Watt T6 Square Downlight: 3 Specimens

### Specifications

#### Lamp

- Designed for vertical T6 bi-pin ceramic metal halide lamp.
- Up to 96 CFM, 12,000-15,000 hour life.
- For lower wattages, see Option -43.

#### Socket (5kV rated)

- G12 bi-pin base.
- Porcelain body. Silicone leads.

#### Reflectors

- Upper: Parabolic specular Alzak® aluminum.
- Lower: Low brightness square specular Alzak® aluminum, self-flanged.
- Optional reflector finishes / colors available.

#### Lens: UV Absorbing

- Tempered prismatic glass mounted to white reflector. Standard MFL distribution.
- See Options for -SPT (0.2 SC) and -NFL (0.4 SC) distributions.

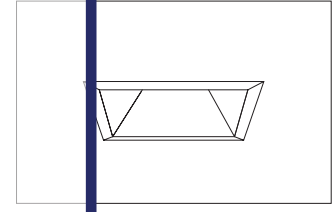
#### Electronic Ballast

- Full electronic circuitry provides constant color and constant wattage, ensuring

# THIS PRODUCT IS NO LONGER AVAILABLE

## Please consult QUOTATIONS

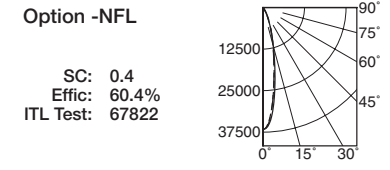
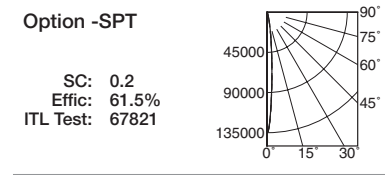
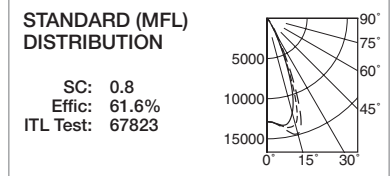
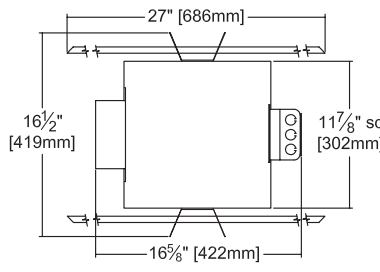
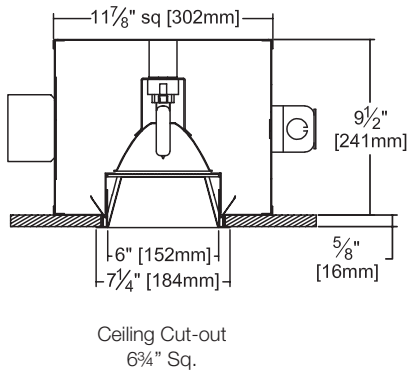
# for the best alternative.



6" Dual Reflector Design

- Entire luminaire serviced from below through removable trim.
- Built-in plaster frame.
- Outlet Box**
- 27" galvanized (NEC) galvanized steel, UL listed; with removable insulated cover.
- 1/2" and 3/4" knockouts.
- Installation**
- 27" galvanized hanger bars with adjustable mounting brackets (2) supplied.
- Recesses indoor or outdoor in covered locations.
- UL, C-UL (Canada) Listings**
- Wet, damp or dry locations, covered ceilings.
- Through-branch circuit conductors (6 #12).
- 20 watt only.
- Three Year Limited Warranty**
- Complete standard fixture, including ballast.

### Performance at a Glance



## THE KIRLIN COMPANY

3401 EAST JEFFERSON AVENUE • DETROIT, MICHIGAN 48207-4232  
(313) 259-6400 • Fax: (313) 259-9409 OR (313) 259-3121 • www.kirlinlighting.com

COMPACT PULSE START  
METAL HALIDE LIGHTING

MAXIMUM WATTAGE

150

CATALOG NUMBER

HRS-06341

DUE TO OUR CONTINUING EFFORT TO IMPROVE PRODUCTS, TECHNICAL INFORMATION IS SUBJECT TO CHANGE WITHOUT NOTICE.

Alzak® is a registered trademark of ALCOA.

