

CATALOG #	TYPE	
JOB NAME	WATTAGE	VOLTAGE

12" 3 Triple 42 WATT MAXIMUM

FSR-12065

Regressed Lens Cylindrical
High Lumen Output

Features

Lamp

- Designed for three 4-pin triple tube and quad compact fluorescent lamps:
- 42/32/26W triple or 26W quad.

Ballast: Multi-Wattage/Voltage

- Installed electronic high power factor, thermally protected. For lower wattages: Option -43.
- 120-277 multi-volt; 50/60 Hz. THD < 10%.
- Single circuit wiring or see Option -8.
- Cold weather -22°F (-30°C).
- End of lamp life protection circuit. I/FI filter.
- Internally fused. Also see Options -FS, -FD.

Reflector

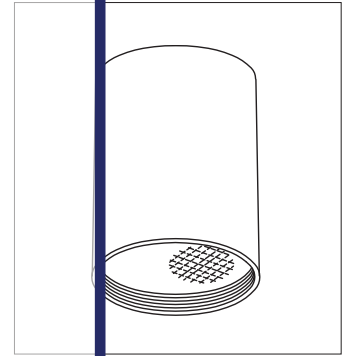
- Specular Alzak® aluminum.

Trim Assembly

- Tapered aluminum one piece black OptiGroove with white flange, all white smooth self-flanged trim (Option -40) as shown in section.
- Regressed tempered prismatic diffusers.

THIS PRODUCT IS NO LONGER AVAILABLE

Please consult **QUOTATIONS** for the best alternative.



Surface Round
Regressed Lens

Selected Optional Trims:

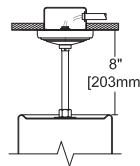
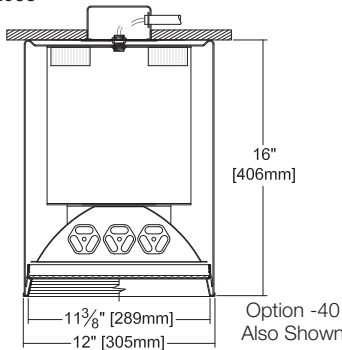
- White Grooveless Flare Option -40
- Fresnel Lens Option -FR

Selected Optional Mounts:

- Pendant Option -PM
- Wall Bracket Option -WB

Performance at a Glance

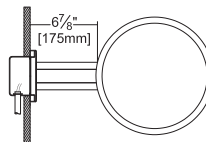
FSR-12065



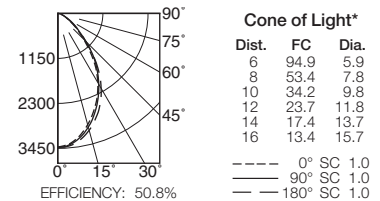
Representative Views:

(Above) With optional pendant mount (Option -PM)

(Below) With optional wall bracket (Option -WB)



FSR-12065 (3 Triple 42W)



Cone of Light Key

- Ft. Distance from fixture
- FC Footcandles (average)
- Dia. Circle of light at 50% of FC
- * Dia. (in ft.) shown is where FC value is half the FC at nadir.

THE KIRLIN COMPANY

3401 EAST JEFFERSON AVENUE • DETROIT, MICHIGAN 48207-4232
(313) 259-6400 • Fax: (313) 259-9409 OR (313) 259-3121 • www.kirlinlighting.com

RENAISSANCE SERIES
COMPACT FLUORESCENT LIGHTING

MAXIMUM WATTAGE

3 Triple 42

CATALOG NUMBER

FSR-12065

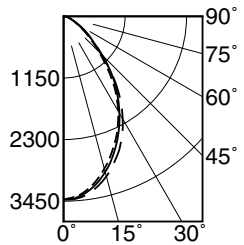
DUE TO OUR CONTINUING EFFORT TO IMPROVE PRODUCTS, TECHNICAL INFORMATION IS SUBJECT TO CHANGE WITHOUT NOTICE.

Alzak® is a registered trademark of ALCOA.

Detailed Photometry - Installed Fixture

Photometry from I.T.L., Boulder, CO

FSR-12065 (3 Triple 42)



----- 0° SC 1.0
 _____ 90° SC 1.0
 - · - · 180° SC 1.0

EFFICIENCY : 50.8%

CANDLEPOWER DISTRIBUTION					
	0.0	45.0	90.0	135.0	180.0
0	698	698	698	698	698
5	704	713	718	712	695
15	655	356	723	717	640
25	652	669	674	625	593
35	432	535	545	488	382
45	121	145	120	144	118
55	5	5	4	4	4
65	2	1	1	1	1
75	1	0	0	0	0
85	0	0	0	0	0
90	0	0	0	0	0

COEFFICIENTS OF UTILIZATION						
RF	20					
	80			50		
RC	70	50	30	10	50	30
RW	70	50	30	10	50	30
1	62	60	59	57	57	55
2	58	56	53	51	53	50
3	55	51	48	46	49	45
4	52	48	44	42	46	41
5	49	44	41	38	42	37
6	46	41	37	35	40	34
7	44	38	34	32	37	32
8	41	35	32	29	34	29
9	39	33	30	27	32	27
10	37	31	28	25	30	25

ITL TEST #49001 *LER=37.4 •AEC=\$6.42

* LER = Luminaire Efficiency Rating

$$LER = \frac{\text{Luminaire Effic.} \times \text{Total Lamp Lumens} \times \text{Ballast Factor}}{\text{Input Watts}}$$

• AEC = Annual Energy Cost per 1000 lumens (based on 3000 hours use @ \$0.08 KWH).

Options

Ballast, Wattage and Voltage

- 39 Installed electronic dimming ballast. Indoor use. 10°C (50°F) minimum start. Specify wattage, voltage and brand.
- 43 Lower wattage: for either 4-pin electronic 3x18W triple/quad or 3x13W quad (only). Specify wattage.
- 84 Wired for two circuits. Also see -FD.
- 97 Specify other voltage. Consult factory.
- 98 347 volt, 50/60 Hz. input. Consult factory.

Emergency Ballast - Specify Voltage¹

- Internal (factory installed) ballast, test switch and indicator light. Suitable for damp locations from 0° to 50°C (32° to 122°F) or with Cold Weather version (see -CE) -20° to 55°C (-4° to 131°F).
- 73 Internal 1-lamp EM ballast. Specify voltage.
- CE Internal cold weather (-20° to 55°C) 1-lamp EM ballast. Specify voltage.
- HE¹ Internal higher lumen (up to 1250) 1-lamp EM ballast. 13-42W only. Specify voltage.

Lenses and Trims

- 13 Vandal resistant tempered prismatic C#73 lens above 1/8" flat polycarbonate.
- 18 Opal flat glass diffuser.
- 20 White aluminum 1/2" cube egg-crate louver.
- 40 White grooveless flare trim. (CP x 1.10)
- 46 Gasket between trim and lens.
- CF High temperature color filter. Specify color.
- FR Fresnel tempered glass lens.
- HO Holographic concave prismatic tempered lens.
- UV UV filter. Consult factory.

Luminaire (Housing) Finishes

- 35 Natural aluminum acrylic enamel.
- 37 Dark Bronze acrylic enamel.
- 38 Black acrylic enamel.
- 94 Custom color/finish. Specify. Consult factory.

Mounting

- 54 Safety cable from fixture through pendant stem and 12" beyond. Use with -PM.
- 80 2" collar for mounting beneath surface outlet box. 1/2" T.S. KO's. Must add Option -89 for

wet label listing.

- 87 Custom pendant length. Specify. Use with -PM.
- 88 Swivel canopy for sloped ceilings up to 40°. Use with Option -PM.
- 89 Sealed top WeatherCap. Must add to Options -80, -PM and -WB for wet label listing.
- PM Pendant mount. 8" stem or see Option -87. Must add Option -89 for wet label listing.
- QM QuickConnect mount for indoor (damp or dry) use only.
- WB Bracket mount. Must add -89 for wet label.

Other

- 99 Special modification. Consult factory.
- FD Two additional in-line fuses. One per ballast. Use with Option -84. Not available with Option -98 (347V).
- FS Additional in-line fuse. Not available with Option -98 (347V).
- LE With 4-pin electronic lamp. 3500°K standard. 82 CRI and 12,000 hour life. Specify wattage, style and color temperature.

¹ Visit www.kirlinlighting.com for most current performance / specifications.

SUBMITTAL DATA

APPROVAL STAMP

JOB NAME

TYPE

WATTAGE

VOLTAGE

CATALOG NUMBER

LIMITED WARRANTY: CATALOGED KIRLIN FIXTURES ARE WARRANTED FREE OF DEFECTS IN WORKMANSHIP OR MATERIAL FOR THREE YEARS FROM DATE OF PURCHASE. INSTALLLED TO N.E.C. IN NORMAL USE. Manufacturer at his option will replace or repair such fixture or refund the purchase price on presentation of proof of purchase and defective fixture at the offices of manufacturer within three years of original shipment. Liability of manufacturer shall not be liable for any other damages, direct or indirect, sustained or suffered by purchaser or any person. This warranty is supplied to the buyer in place of all other warranties, expressed or implied. Seller does not warrant as to merchantability or fitness for a particular use, nor will any oral statement constitute a warranty or amend this specific warranty. Abnormal use, abuse of the fixture, improper installation, repair, or modification of the fixture without prior written authorization from the manufacturer will render the warranty void.