

CATALOG #	TYPE	
JOB NAME	WATTAGE	VOLTAGE

7" x 9" 1 Quad 13 WATT MAXIMUM

FNV-07129

## Vandal Resistant NightLight

**THIS PRODUCT IS NO LONGER AVAILABLE**

### Features

#### Lamp and Ballast

- Designed for one horizontal 4-pin quad 13W compact fluorescent lamp.
- Installed electronic high power factor internally protected.
- 120-277 multi-volt; 50/60 Hz. THD <math>< 3\%</math>.
- ClickQuick connectors. Single circuit wiring.
- Cold weather -22°F (-30°C). End of lamp life protection circuit. RFI filter.
- Internally fused. Also see Option -FS.

#### Lens Behind Cover (Gasketed)

- Clear .220" polycarbonate.
- Secured between faceplate and housing by center pin tamperproof screws and captive nuts.
- Gasketing between lens and faceplate standard.

#### Faceplate (Gasketed)

- White polyester enameled die-formed faceplate galvanized steel. Removable for servicing.

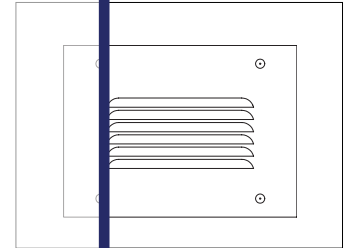
- Secured to housing by tamperproof screws and captive nuts.
- Gasketing between faceplate and wall standard.
- 16 gauge galvanized steel formed and welded.
- White acrylic lens in this housing.

#### Installation

- Recesses indoors or outdoors, covered locations.
- Minimum operating temperature: -22°F (-30°C).
- Ten 1/2" T.S. (7/8" dia.) wiring KO's.
- Mounting holes provided for mounting and securing to wall by means of tamperproof screws and captive nuts.

#### UL, CUL (Canada) Listings

- Drop ceiling locations, covered walkways.
- Are You a **Contractor**?
- Complete standard fixture (and ballast).



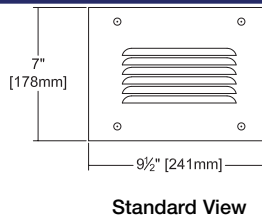
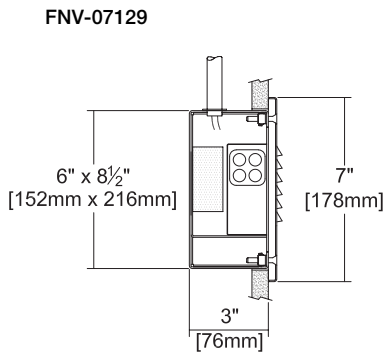
#### Selected Option:

- Acrylic Lens Option -17

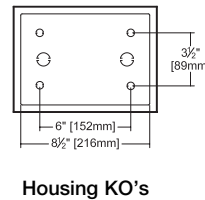
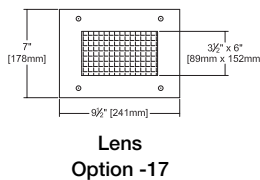
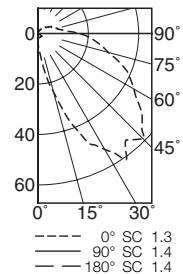
**Please consult QUOTATIONS**

**for the best alternative.**

### Performance at a Glance



FNV-07129 (1 Quad 13W)



## THE KIRLIN COMPANY

3401 EAST JEFFERSON AVENUE • DETROIT, MICHIGAN 48207-4232  
 (313) 259-6400 • Fax: (313) 259-9409 OR (313) 259-3121 • www.kirlinlighting.com

RENAISSANCE SERIES  
 COMPACT FLUORESCENT LIGHTING

MAXIMUM WATTAGE

1 Quad 13

CATALOG NUMBER

FNV-07129

DUE TO OUR CONTINUING EFFORT TO IMPROVE PRODUCTS, TECHNICAL INFORMATION IS SUBJECT TO CHANGE WITHOUT NOTICE.

LIMITED WARRANTY: CATALOGED KIRLIN FIXTURES ARE WARRANTED FREE OF DEFECTS IN WORKMANSHIP OR MATERIAL FOR THREE YEARS FROM DATE OF PURCHASE, INSTALLED TO N.E.C. IN NORMAL USE. Manufacturer at the option will replace or repair such fixtures or refund the purchase price on presentation of proof of purchase and defective fixture at the offices of manufacturer within three years of original shipment. Liability of manufacturer is limited to the foregoing, and manufacturer shall not be liable for any other damages, direct or indirect, sustained or suffered by purchaser or any person. This warranty is supplied to the buyer in place of all other warranties, expressed or implied. Seller does not warrant as to merchantability or fitness for a particular use, nor will any oral statement constitute a warranty or amend this specific warranty. Abnormal use, abuse of the fixture, improper installation, or repair, or modification of the fixture without prior written authorization from the manufacturer will render the warranty void.

### Options

#### Wattage and Voltage

- 43 Lower wattage. For 4-pin 9W twin.
- 75 Remote battery pack. Consult factory.
- 97 Specify other voltage. Consult factory.
- 98 347 volt, 50/60 Hz. input. Consult factory.

#### Lens

- 17 .187" high strength prismatic acrylic lens behind .220 clear polycarbonate and door instead of louvers.

#### Luminaire (Faceplate/Frame) Finishes

- 35 Natural aluminum acrylic enamel.
- 36 Gold acrylic enamel.
- 37 Dark Bronze acrylic enamel.
- 38 Black acrylic enamel.
- 94 Custom color/finish. Specify. Consult factory.

#### Other

- 78 Concrete pour modification.
- 99 Special modification. Consult factory.
- FS Additional in-line fuse.
- LE With 4-pin electronic lamp. 3500°K standard. 82 CRI and 12,000 hour life. Specify wattage, style and color temperature.

SUBMITTAL DATA

APPROVAL STAMP

JOB NAME

TYPE

WATTAGE

VOLTAGE

CATALOG NUMBER