

CATALOG #	TYPE	
JOB NAME	WATTAGE	VOLTAGE

7" x 10" 2 Quad 13 WATT MAXIMUM

FNT-07127

Thru-the-Wall Type IC NightLight

Features

Lamp and Ballast

- Designed for two 4-pin quad 13W compact fluorescent lamps.
- Installed electronic high power factor, tamper protected.
- 120-277 multi-volt; 50/60 Hz. THD < 10%.
- ClickQuick connectors. Single circuit wiring.
- Cold weather -22°F (-30°C). End of lamp life protection circuit. RFI filter.
- Internally fused. Also see Option -FS.

Lenses Behind Louvers (Gasketed)

- Clear .220" polycarbonate.
- Prevents sound transmission between rooms.

Trim Assemblies Both Sides (Gasketed)

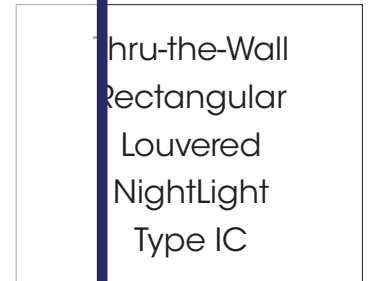
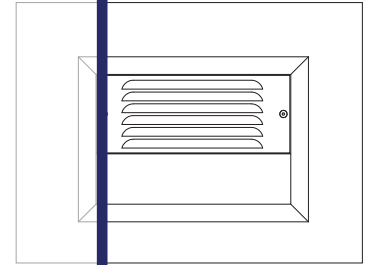
- Attractively beveled and gasketed trim assembly. Frame pulls tightly to wall. White finish.
- Die-formed and covered aluminum door bolts tightly to frame with flush mounter screws.
- Tamper resistant available. See Option -G.

THIS PRODUCT IS NO LONGER AVAILABLE

Please consult

QUOTATIONS

for the best alternative.

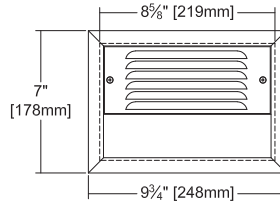
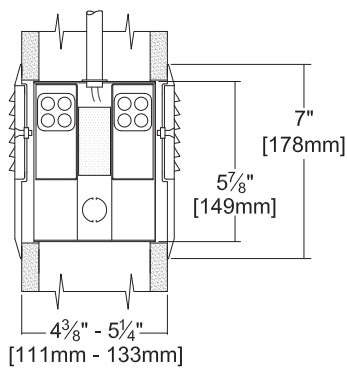


Selected Options:

- GFCI or Receptacle
- Lens
- On-Off Switch

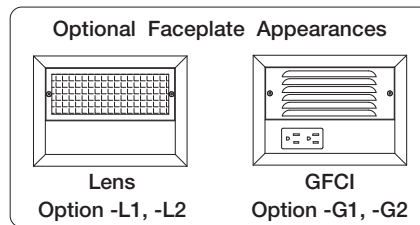
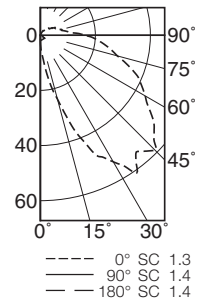
Performance at a Glance

FNT-07127



Standard View

FNT-07127 (2 Quad 13W)



THE KIRLIN COMPANY

3401 EAST JEFFERSON AVENUE • DETROIT, MICHIGAN 48207-4232
 (313) 259-6400 • Fax: (313) 259-9409 OR (313) 259-3121 • www.kirlinlighting.com

RENAISSANCE SERIES
 COMPACT FLUORESCENT LIGHTING

MAXIMUM WATTAGE

2 Quad 13

CATALOG NUMBER

FNT-07127

DUE TO OUR CONTINUING EFFORT TO IMPROVE PRODUCTS, TECHNICAL INFORMATION IS SUBJECT TO CHANGE WITHOUT NOTICE.

Options

Wattage and Voltage

- 43 Lower wattage. For 4-pin 9W twin.
- 75 Remote emergency battery pack. Consult factory.
- 84 Wired for two circuits. Also see -FD.
- 97 Specify other voltage. Consult factory.
- 98 347 volt, 50/60 Hz. input. Consult factory.
- 120 120V (50-60Hz) input. Required for Options -G1, -G2, -H1, -H2 or -S1.

Lenses and Trims

- 26 Tamper-proof flush mounted door screws.
- G1 With duplex hospital grade GFCI installed on one side. White. Indoor use. Rated 120V only. Must add Option -120.
- G2 With duplex hospital grade GFCI installed on both sides. White. Indoor use. Rated 120V only. Must add Option -120.
- H1 With duplex hospital grade receptacle on one side. White. Indoor use. Rated 120V only. Must add Option -120.
- H2 With duplex hospital grade receptacle on both sides. White. Indoor use. Rated 120V only. Must add Option -120.
- L1 .187" high strength acrylic prismatic lens and door instead on one side. Louvers on other side.
- L2 .187" high strength acrylic prismatic lens and door instead on both sides.
- S1 With hospital grade push button on-off switch installed on one side. Controls both lamps. Indoor use. Rated 120V only. Must add Option -120.

Luminaire (Faceplate) Finishes

- 35 Natural aluminum acrylic enamel.
- 37 Dark Bronze acrylic enamel.
- 38 Black acrylic enamel.
- 94 Custom color/finish. Specify. Consult factory.

Other

- 99 Special modification. Consult factory.
- FD Two additional in-line fuses. One per ballast. Use with Option -84. Not available with Option -98 (347V).
- FS Additional in-line fuse. Not available with Option -98 (347V).
- LE With 4-pin electronic lamp. 3500°K standard. 82 CRI and 12,000 hour life. Specify wattage, style and color temperature.

SUBMITTAL DATA

APPROVAL STAMP

JOB NAME

TYPE

WATTAGE

VOLTAGE

CATALOG NUMBER

LIMITED WARRANTY: CATALOGED KIRLIN FIXTURES ARE WARRANTIED FREE OF DEFECTS IN WORKMANSHIP OR MATERIAL FOR THREE YEARS FROM DATE OF PURCHASE, INSTALLED TO N.E.C., IN NORMAL USE. Manufacturer at his option will replace or repair such fixture or refund the purchase price on presentation of proof of purchase and defective fixture at the offices of manufacturer within three years of original shipment. Liability of manufacturer is limited to the foregoing, and manufacturer shall not be liable for any other damages, direct or indirect, sustained or suffered by or for any person. This warranty is supplied in place of all other warranties, express or implied. Seller does not warrant merchantability or fitness for a particular use, nor will any oral statement constitute a warranty or amend this specific warranty. Applicable laws, abuse of the fixture, improper installation, or repair, or modification of the fixture without prior written authorization from the manufacturer will render the warranty void.