

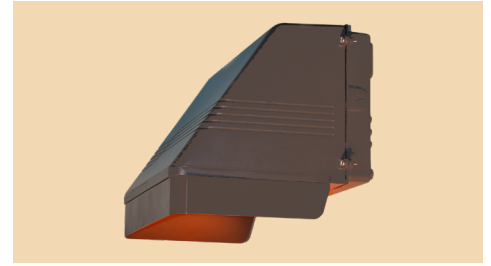
CATALOG #	TYPE	
JOB NAME	WATTAGE	VOLTAGE

Shoreview Series

Wall Pack Downlight • FWC Approved • LED

Ideal for Increased Security, Hospitality and Commercial Buildings

TST-07180



Specifications

LED (FWC Approved) and Optics

- Color: Environmental yellow/amber (590nm)
- Optional color: Environmental red/orange (617nm) available. See Option -ERO below
- True color, not phosphor converted
- No light emitted below 560nm
- 20 watts. 60,000 hour rated life (L70)
- 506 delivered lumens
- 36° narrow optic controls light distribution
- Optional Beach Visor shield prevents stray wide angle illumination; see Option -BV

LED Power Supply/Driver

- Constant current DC. Electronically stabilized
- Minimum operating temperature -22°F (-30°C)
- 120-277V, 50-60 Hz. Load insensitive
- 0-10V CCR 1% dimming standard

Sealed & Gasketed Trim Assembly

- Flush clear tempered glass lens with 1/2" square black eggcrate above
- 45° cut-off provides controlled, glare-free illumination
- Silicone seal between lens and housing

Housing Construction

- Bronze powder coat over chromate conversion cast aluminum
- Sealed and gasketed with silicone
- Cool operation extends component life
- Modular design; visible and fully serviceable through aperture

Installation & Hardware

- Mounts directly to wall or wall mounted J-box
- Three (3) conduit knockouts

UL, C-UL (Canada)

- Wet locations

FIVE YEAR Limited Warranty

- Complete standard fixture



FWC Certification
#2016-035

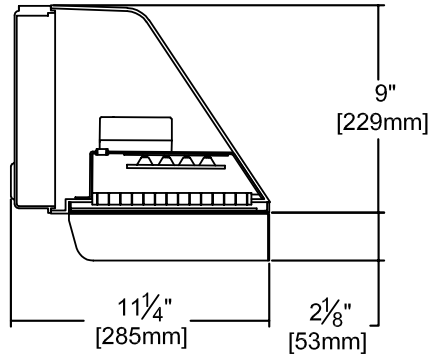


Options and Ordering Configuration

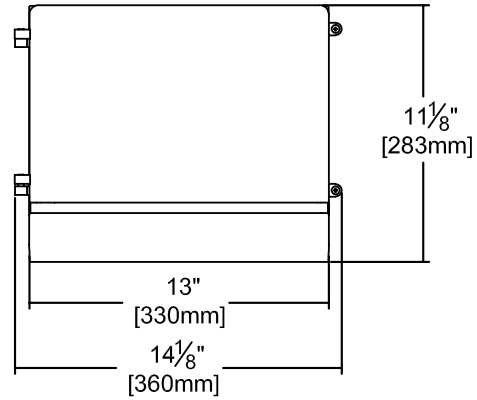
(Example: TST-07180-ERO-PC-BV)

Must Specify	Optional		
Model	LED Color	Controls	Other Options
TST-07180	<p>(Blank): Environmental yellow/amber (590nm)</p> <p>-ERO: Environmental red/orange (617nm)</p>	<p>(Blank): None</p> <p>-PC: Photocell on side of housing</p>	<p>(Blank): None</p> <p>-BV: Beach visor cutoff shield</p> <p>-99: Special modification; consult factory</p>
BUG Zone Ratings <div style="display: flex; justify-content: space-around; align-items: center;"> <div style="background-color: red; color: white; padding: 5px 10px; font-weight: bold;">B1</div> <div style="background-color: blue; color: white; padding: 5px 10px; font-weight: bold;">U0</div> <div style="background-color: yellow; color: black; padding: 5px 10px; font-weight: bold;">G0</div> </div>			

Dimensions



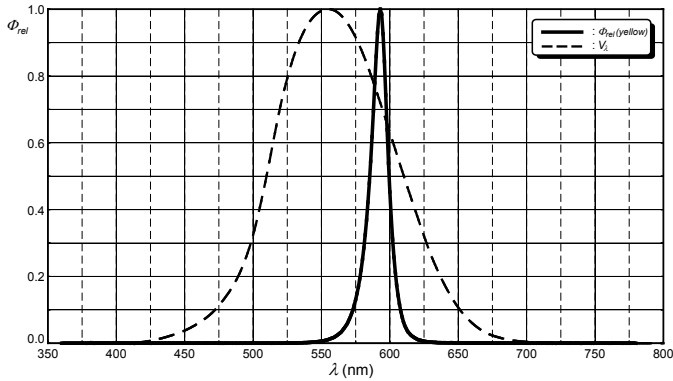
Shown with Option -BV Shield



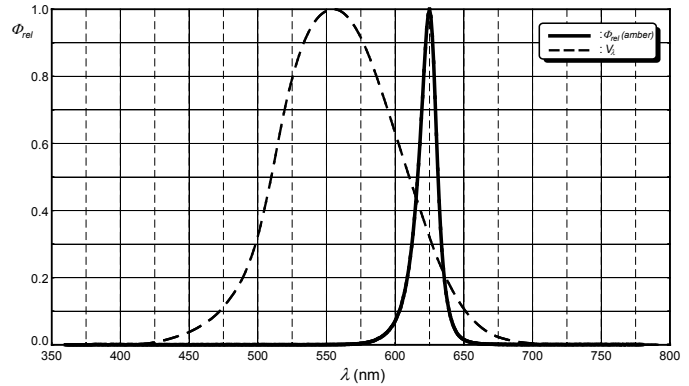
LED Spectral Emissions

———— LED Output
- - - - Human Eye Perception

Environmental Yellow / Amber
590nm peak (583nm min, 595nm max)



Option -ERO (Environmental Red / Orange)
617nm peak (609nm min, 624nm max)



LED manufacturers maintain a tolerance of +/-7% on flux (lumens) and power (electrical) measurements.

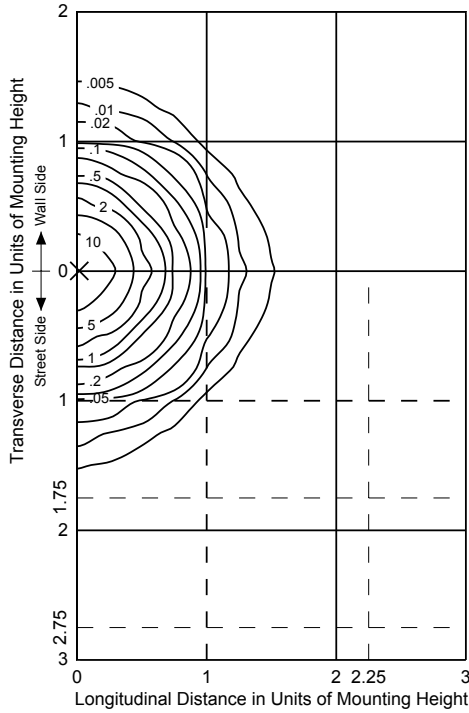
▲ Cone of Light Key Dist. Distance (Ft.) from fixture
Dia. (in ft.) shown is where FC FC Footcandles at nadir (0°)
value is half the FC at nadir. Dia. Circle of light at 50% of FC

LIMITED WARRANTY: CATALOGED KIRLIN FIXTURES ARE WARRANTED FREE OF DEFECTS IN WORKMANSHIP OR MATERIAL FOR FIVE YEARS FROM DATE OF PURCHASE. INSTALLATION IS NOT NORMAL USE. Manufacturer at the option will replace or repair such fixture or refund the purchase price on presentation of proof of purchase and defective fixture at the offices of manufacturer within the years of original shipment. Liability of manufacturer is limited to the foregoing and manufacturer shall not be liable for any other damages, direct or indirect, sustained or suffered by purchaser or any person. This warranty is applied to the buyer in place of all other warranties, expressed or implied. Seller does not warrant as to merchantability or fitness for a particular use, nor will any oral statement constitute a warranty or amend this specific warranty. Abnormal use, abuse of the fixture, improper installation, or repair or modification of the fixture without prior written authorization from the manufacturer will render the warranty void.

SHOREVIEW
NOVEMBER 2024

Detailed Photometry - Installed Complete Fixture

ISO FOOTCANDLE LINES OF HORIZONTAL ILLUMINATION

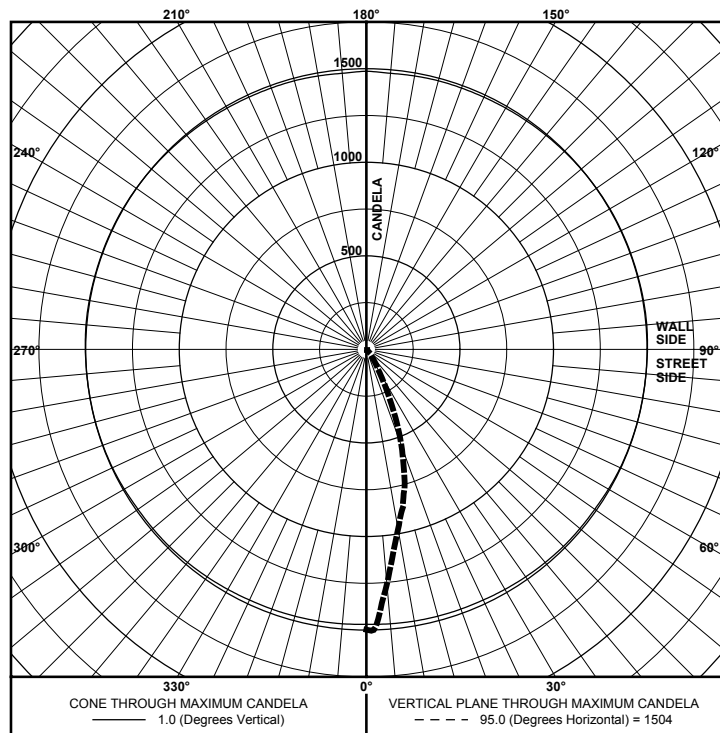


IES Classification: Type VS
Cutoff Classification (deprecated): Full Cutoff

--- 1/2 Maximum Candela trace
X Maximum Candela point

MAXIMUM PLANE and MAXIMUM CONE PLOTS OF CANDELA

Delivered Lumens: 506
% Cutoff at 45°: 99%
100% Cutoff: 65°

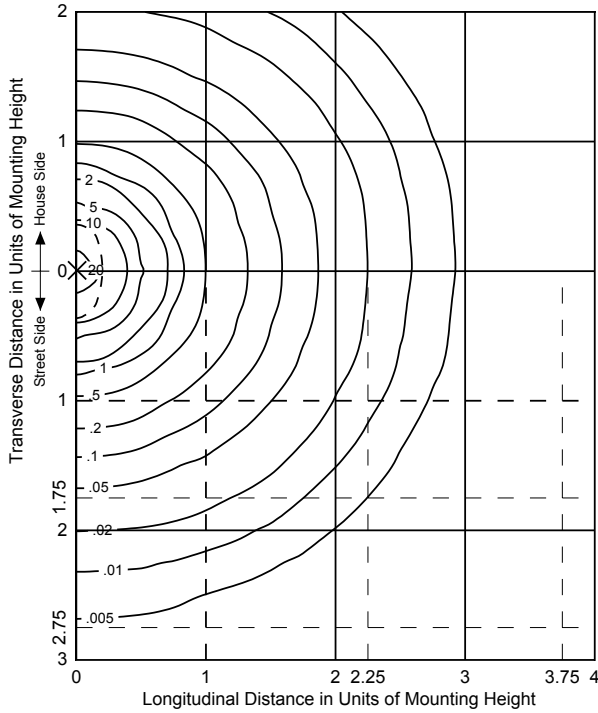


LIMITED WARRANTY: CATALOGED KIRLIN FIXTURES ARE WARRANTED FREE OF DEFECTS IN WORKMANSHIP OR MATERIAL FOR FIVE YEARS FROM DATE OF PURCHASE. INSTALLATION, IN NORMAL USE. Manufacturer at the option will replace or repair such fixture or refund the purchase price on presentation of proof of purchase and defective fixture at the office of manufacturer within the years of original shipment. Liability of manufacturer is limited to the foregoing and manufacturer shall not be liable for any other damages, direct or indirect, sustained or suffered by purchaser or any person. This warranty is applied to the buyer in place of all other warranties, expressed or implied. Seller does not warrant as to merchantability or fitness for a particular use, nor will any oral statement constitute a warranty or amend this specific warranty. Abnormal use, abuse of the fixture, improper installation, or repair or modification of the fixture without prior written authorization from the manufacturer will render the warranty void.

Detailed Photometry - Installed Complete Fixture WITHOUT black louver above lens

LIMITED WARRANTY: CATALOGED KIRLIN FIXTURES ARE WARRANTED FREE OF DEFECTS IN WORKMANSHIP OR MATERIAL FOR FIVE YEARS FROM DATE OF PURCHASE. INSTALLATION, ETC., IS NORMAL USE. Manufacturer at the option will replace or repair such fixture or refund the purchase price on presentation of proof of purchase and defective fixture at the office of manufacturer within the years of original shipment. Liability of manufacturer is limited to the foregoing and manufacturer shall not be liable for any other damages, direct or indirect, sustained or suffered by purchaser or any person. This warranty is applied to the buyer in place of all other warranties, expressed or implied. Seller does not warrant as to merchantability or fitness for a particular use, nor will any oral statement constitute a warranty or amend this specific warranty. Abnormal use, abuse of the fixture, improper installation, or repair or modification of the fixture without prior written authorization from the manufacturer will render the warranty void.

ISO FOOTCANDLE LINES OF HORIZONTAL ILLUMINATION



IES Classification: Type VS
Cutoff Classification (deprecated): Full Cutoff

--- 1/2 Maximum Candela trace
X Maximum Candela point

MAXIMUM PLANE and MAXIMUM CONE PLOTS OF CANDELA

Delivered Lumens: 948
% Cutoff at 45°: 95%
100% Cutoff: 85°

