



# Submittal Package/Purchasing Guide

## Symphony DMX System

(SYM-DMXPS)

DMX Remote Power Supply Enclosure . . . . .	2
DMX Driver Channel Specifications . . . . .	2-3
Options . . . . .	4
Wiring Examples . . . . .	4-5



CATALOG #	TYPE	
JOB NAME	WATTAGE	VOLTAGE

# Symphony DMX Remote Power Supply

SYM-DMXPS

Fully Digital Controlled Power Source for LED Luminaires

## SYM-DMXPS: Driver Cabinet

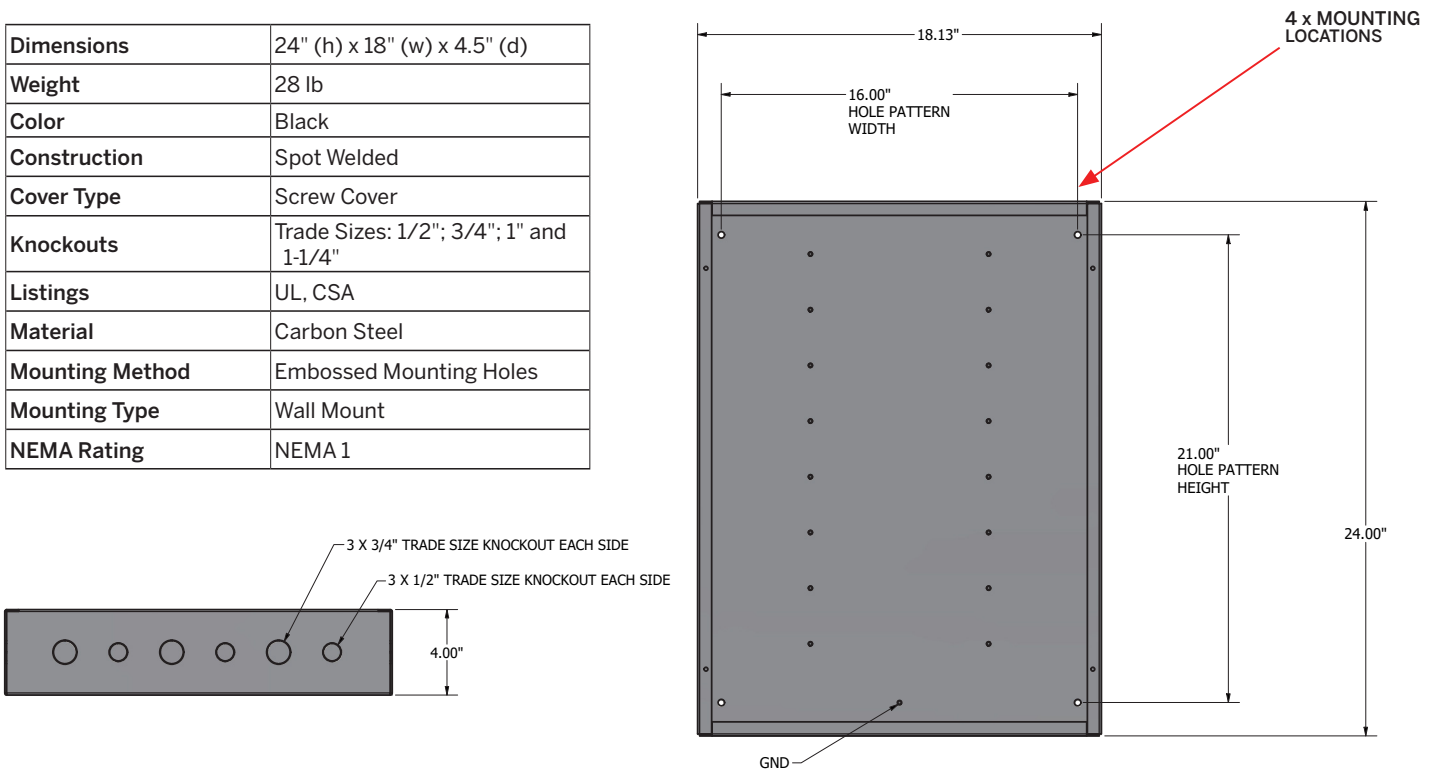
- 18" x 24" x 4.5" carbon steel enclosure supports up to **8 Remote Drivers**.
- Wall mounted enclosure fabricated from 14 gauge steel. Includes flat, removable cover fastened with plated steel screws. Cover design permits easy removal without extracting cover screws. Mounting holes on back of cabinet. Removable knockouts on all four sides.
- Certifications and Compliance: NEMA 1 rating, CSA, UL Listed.



## Specifications

Dimensions	24" (h) x 18" (w) x 4.5" (d)
Weight	28 lb
Color	Black
Construction	Spot Welded
Cover Type	Screw Cover
Knockouts	Trade Sizes: 1/2"; 3/4"; 1" and 1-1/4"
Listings	UL, CSA
Material	Carbon Steel
Mounting Method	Embossed Mounting Holes
Mounting Type	Wall Mount
NEMA Rating	NEMA 1

## Dimensions



# Symphony DMX Remote Power Supply

## Specifications (Per Driver Channel)

### Input Electrical Specifications

Nominal input voltage range AC	120 - 277V
Absolute input voltage range AC	108 - 305V
Input frequency range	50 - 60Hz
Maximum wattage	50W
Efficiency at full load	85%
Power factor at full load	> 0.95
THD at full load	< 20%
Maximum inrush current	< 100mA <sup>2</sup> s @ 120V / 60Hz < 100mA <sup>2</sup> s @ 277V / 60Hz
Surge protection	2kV differential mode (DM) 2kV common mode (CM)
Maximum standby power	< 0.5W

### Environmental Conditions

Operating ambient temperature (Ta) Range	-20°C to +50°C
Acoustic noise - steady state	< 24dBa (Class A)
All components	Dry location only

### Dimming Control

Control protocol	DMX 512-A
Dimming range	100% - 0.1%, off
Dimming curve	Logarithmic*
System configuration	RDM

\*Can be programmed to different curves via RDM.

### Remote Mounting Distance

Max. distance	250 feet
---------------	----------

## Standards & Compliance

UL Listed, Class P, Class 2	UL 1310 UL 8750	This low voltage luminaire system complies with UL 2108
Conducted emissions	FCC title 47 CFR part 15 class B	
Radiated emissions	FCC title 47 CFR part 15 class B	
Electrostatic discharge	EN 61000-4-2	
DMX	ANSI E1.11 – 2008 (R2013), USITT DMX512-A, ANSI E1.20 – 2010	
Surge protection	ANSI 62.41 1991 category B1: 2.5kV DM, 2.5kV CM @ 30 Ohm DMX input 0.5kv DM	
Restriction of hazardous substances	RoHS3 (Directives 2011/65/EU-2015/863/EU)	

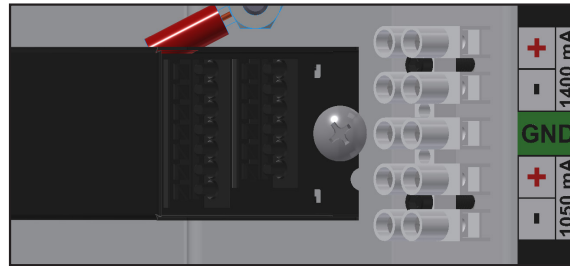
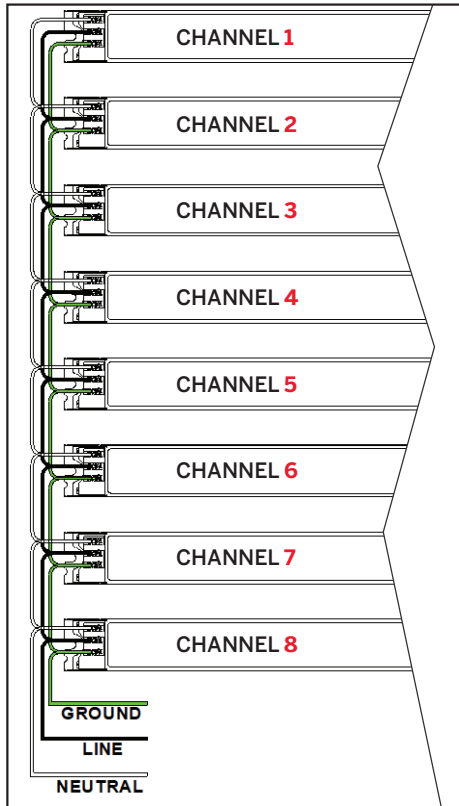
## Options and Ordering Configuration

(Example: SYM-DMXPS-8-16B)

Must Specify		Optional
Model	Number of Channels	Dimming Resolution
SYM-DMXPS		
	<ul style="list-style-type: none"> <li>-1: 1 driver channel</li> <li>-2: 2 driver channel</li> <li>-3: 3 driver channel</li> <li>-4: 4 driver channel</li> <li>-5: 5 driver channel</li> <li>-6: 6 driver channel</li> <li>-7: 7 driver channel</li> <li>-8: 8 driver channel</li> </ul>	<ul style="list-style-type: none"> <li>(Blank): 8 bit (Standard)</li> <li>-16B: 16 bit (Option - 16 bit DMX control)</li> </ul>

Note: For other configurations please consult factory.

## Wiring Examples



CATALOGED KIRLIN COMPONENTS ARE WARRANTED FREE OF DEFECTS IN WORKMANSHIP OR MATERIAL FOR FIVE YEARS FROM DATE OF PURCHASE. IN NORMAL USE. Manufacturer at this option will replace or repair such product or refund the purchase price on presentation of proof of purchase and defective product at the offices of manufacturer within five years of original shipment. Liability of manufacturer shall not be liable for any other damages, direct or indirect, sustained or suffered by purchaser or any person. This warranty is supplied to the buyer in place of all other warranties, expressed or implied. Seller does not warrant as to merchantability or fitness for a particular use, nor will any oral statement constitute a warranty or amend this specific warranty. Abnormal use, abuse of the product, improper installation, or repair, or modification of the product without prior written authorization from the manufacturer will render the warranty void.

# Symphony DMX Remote Power Supply

Wiring Example

Light Description	LED Channel Module	
	1400mA	1050mA
-1500L Luminaire	Up to 2 fixtures in series per channel	
-2500L Luminaire	1 fixture per channel	
-4000L Luminaire		1 fixture per channel
-5000L Luminaire	2 channels per fixture	
-6500L Luminaire	2 channels per fixture	

