

Catalog#: **PRO-09025**

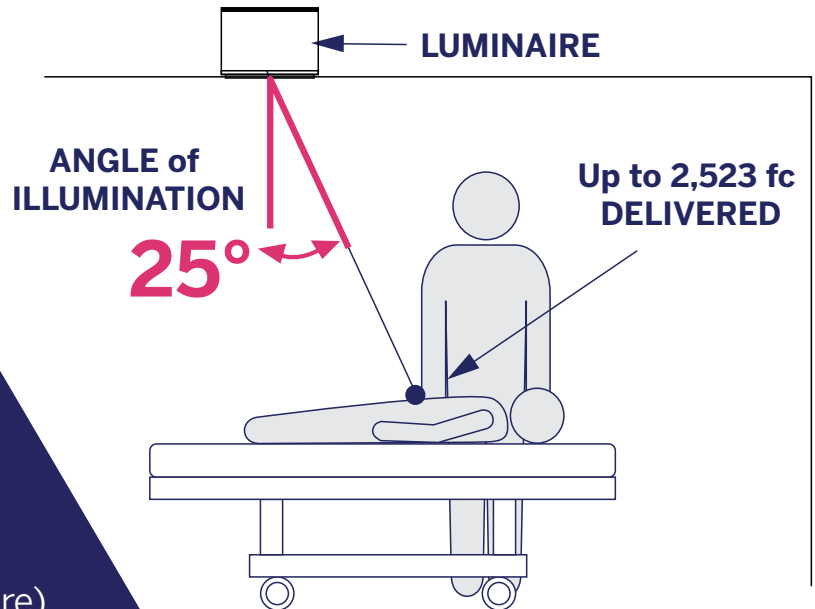
Job Name: _____

Type: _____



Recessed Aimable LED Exam Light for NICU, ICU, & Patient Room

- 25° Tilt, 360° Rotation
- Fully Recessed System
- Ultimate Infection Control
- Cool LED Beams, 95+ CRI
- Wall and Remote Controlled
- Adjustable Direction & Intensity Suitable for Dynamic Environments
- 2,523 fc (27,157 lux) on Task (Single Fixture)



INFRALED® IS A REGISTERED TRADEMARK OF KIRLIN LIGHTING. © 2022 KIRLIN LIGHTING.

INFRALED® PRO
Configurable remote-aimable lighting system for healthcare applications



PRO 60
High-angle exam light with 60° beam for Childbirth & Surgery



PRO 45
19" exam light with 45° beam for OR, Hybrid OR, & Cath Lab



PRO 35/PRO35V
12" exam light with 35° beam for ICU, Patient Room, ED, & Behavioral



PRO 25
9" exam light with 25° beam for NICU, ICU, & Patient Room

Recessed Aimable LED Exam Light for NICU, ICU, & Patient Room

INFRALED® PRO 25 is controlled via wall control panel and optional remote control. Each controller supports up to 4 luminaires from the INFRALED® PRO family. Each wall control panel includes an infrared sensor. An optional ceiling-mounted infrared sensor is also available. All wall controls, remote controls, and remote sensors must be ordered separately.

Wall Control Panel (PRO-WALLC) Required

- Full function controls for power, fixture selection, intensity and direction
- Tactile-membranes and smooth surfaces for easy cleaning with isopropyl alcohol and disinfecting agents
- May be located outside of patient room or in a secure remote location. If remote control use is anticipated, add **PRO-SENSR** option, see below
- Includes infrared receiver for remote control operation
- Magnetic docking station for remote control
- Back box provided by Kirlin
- Add option **-ACH** (Alternative channel) on wall control when adding an additional wall control in the same room
- 5 year warranty

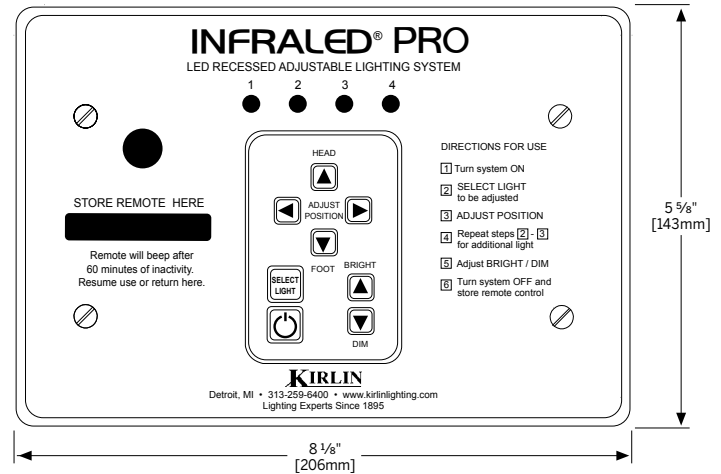
Remote Control (PRO-REMOT)

- Full function controls for power, fixture selection, intensity and direction
- Convenient one hand operation
- Tactile-membranes and smooth surfaces for easy cleaning with isopropyl alcohol and disinfecting agents
- Invisible infrared signal will not interfere with other equipment in the room
- Impact resistant construction
- Loss deterring beeper to remind user to return remote to docking station. Beeper is activated if remote control is not used for, nor returned to dock within 1 hour
- "Write-on" area for marking room number
- 2-AA batteries provided
- Low stand-by current assures long battery life
- Add option **-ACH** (alternative channel) on remote control when adding an additional remote/wall control in the same room
- Add option **-BI** (beeper inactive) when wishing to add a silence function to the remote
- Add **PRO-SENSR** (below) when wall control is located outside of patient room or obstructed from remote control's IR signal
- 1 year warranty

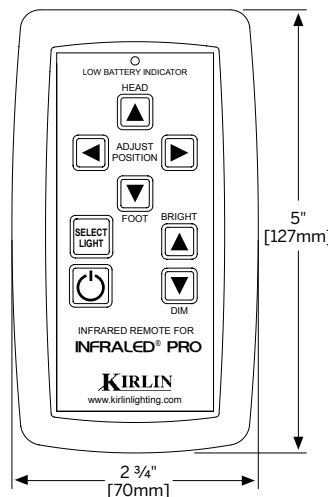
Remote Sensor (PRO-SENSR)

- Optional ceiling mounted infrared sensor enhances signal reception if wall control panel is obstructed
- Each PRO-WALLC supports one PRO-SENSR
- 5 year warranty

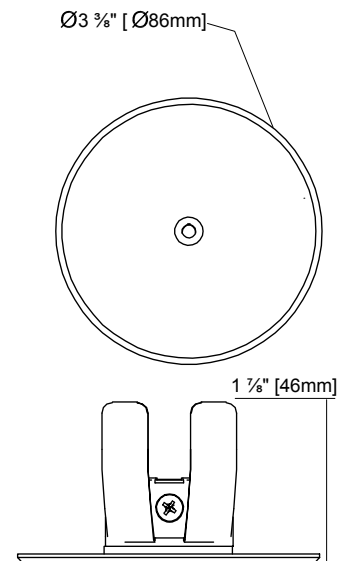
Wall Control Panel (PRO-WALLC)



Remote Control (PRO-REMOT)



Ceiling Mounted Infrared Sensor (PRO-SENSR)



INFRALED® IS A REGISTERED TRADEMARK OF KIRLIN LIGHTING © 2022 KIRLIN LIGHTING.

INFRALED PRO NOVEMBER 2024


Declare.





Recessed Aimable LED Exam Light for NICU, ICU, & Patient Room


Luminaire Specifications (see page 4 for Controls Specifications)


Luminaires are sold individually, and include the following standard features:

 OPTeCOLOR™ LEDs: 95+ CRI, high R9 (72), R13 (96), R15 (96), cool beam, 60,000 hour life (L70). Cyanosis Observation Index of 2.7 meets AS/NZS 1680.2.5

 Blue LED indicator strip designates luminaire under active control





 BioGard™ anti-microbial white finish, regressed flare trim with tempered clear flat glass lens

 IP66 rated, sealed and gasketed trim

 Perforation-free, rust and corrosion proof aluminum housing (exceeds 1000hr ASTM salt spray test)

- Up to 25° tilt (from nadir)
- Up to 2,523 fc (27,157 lux) on task
- 0-10V CCR 100-1% dimming
- Input voltage: 110 - 277V
- Serviceable through aperture; convenient plug-in components for easy installation and service, including 35' RJ45 cable from fixture to wall control.
- Lightweight 18 lbs; complies with OSHPD seismic requirements with addition of safety wires (by others)
- System wattage 37.5W (per luminaire)

Full System Ordering Example

Part	Description	Quantity
PRO-09025-41K	 INFRALED® PRO 25 Luminaires	2
PRO-WALLC	 INFRALED® PRO Wall Control Panel	1
PRO-REMOT	 INFRALED® PRO Remote Control	1
PRO-SENSR	 Optional IR Remote Sensor	1

• 5 year warranty

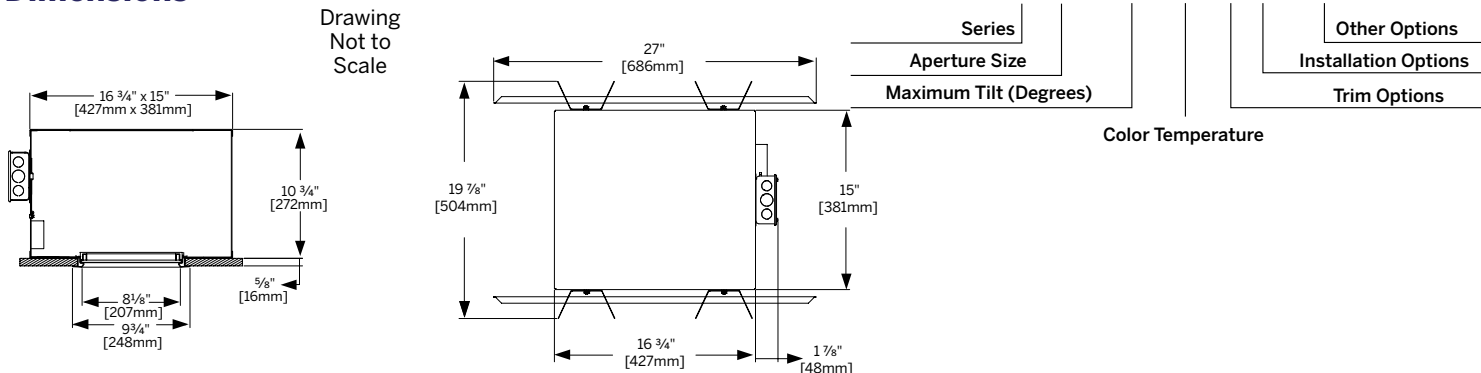
Maintenance and Future-Proofing

- M1 maintenance level standard- Phillips head screwdriver, and/or a basic wrench needed
- Lighthead, driver replaceable through the aperture of the fixture with quick-connections, no soldering required
- Backed by Kirlin's [25-Year Legacy Support Guarantee](#)

Options and Ordering Format

Must Specify		Optional		
Model	CCT	Trim	Installation	Other Options
PRO-09025	<p>-35K: 3500K, 95+ CRI</p> <p>-41K: 4000K, 95+ CRI</p> <p>-50K: 5000K, 95+ CRI</p>	<p>(Blank): White BioGard™ trim, blue LED indicator</p> <p>-BKBG: BioGard anti-microbial black</p> <p>-94: Custom color; consult factory</p> <p>-94BG: BioGard anti-microbial custom color finish</p>	<p>(Blank): Suitable for installation in ceiling tile or sheetrock/drywall ceiling</p> <p>-85: Ceiling panel: lays into 2' x 2' grid</p>	<p>(Blank): None</p> <p>-87: Custom length (> 35') wall control cable; consult factory</p> <p>-99: Special modification; consult factory</p> <p>-FS: Single in line fuse</p> <p>-SH: Sealed housing and junction box</p>

Dimensions



Declare.





Kirlin Lighting | 3401 E. Jefferson Ave., Detroit, MI 48207-4232, USA | P: 313.259.6400 | www.kirlinlighting.com

DUE TO CONTINUING PRODUCT IMPROVEMENTS, KIRLIN LIGHTING RESERVES THE RIGHT TO CHANGE SPECIFICATIONS WITHOUT NOTICE. VISIT WWW.KIRLINLIGHTING.COM FOR THE MOST CURRENT DATA.

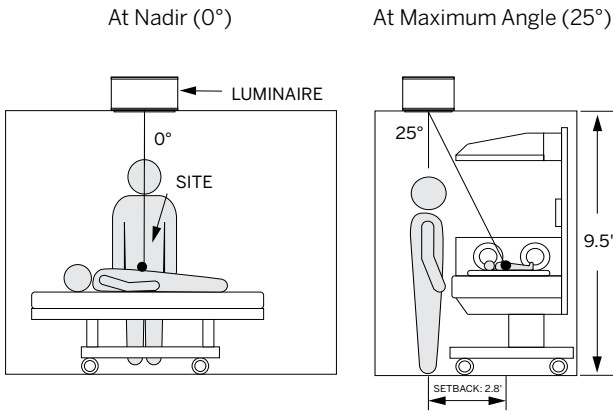
INFRALED® IS A REGISTERED TRADEMARK OF KIRLIN LIGHTING © 2022 KIRLIN LIGHTING. INFRALED PRO JUNE 2023

Available Maintenance Levels

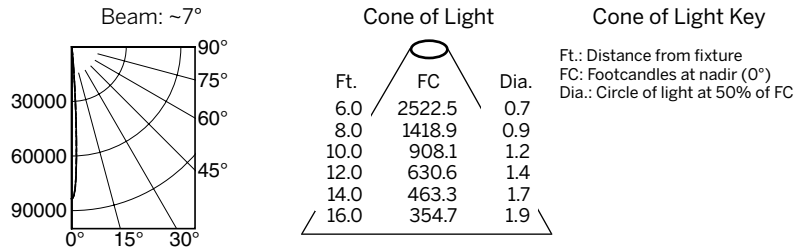
Level	Option	Tools Required to Service LED Module and Driver
 M1	Standard	 <ul style="list-style-type: none"> • Phillips head screwdriver, and/or a basic wrench needed

Single Luminaire Performance

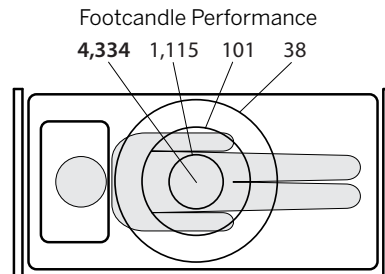
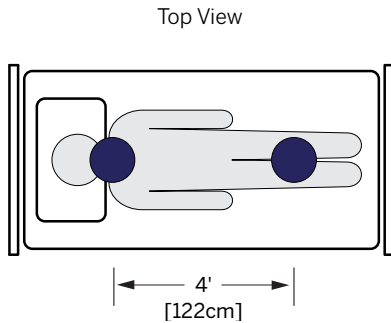
All configuration and performance data assumes ceiling height of 9.5' and task elevation of 3.5'.



	Angle	Distance to Task	FC on Task	Lux on Task
Performance at Nadir	0°	6'	2,523	27,157
Performance at Max Angle	25°	6.6'	1,889	20,333



Two Light Configuration - 4,000+ fc Delivered



Four Light Configuration - 7,500+ fc Delivered

