



Submittal Package/Purchasing Guide

MRI RGBW DMX System

(MRI-DMXPS)

DMX Remote Power Supply Enclosure	2
DMX Driver Channel Specifications (MRI-DMXPS)	2-3
How To Order (MRI-DMXPS)	4
Maintenance Levels (MRI-DMXPS)	5
SmartLED™ Filter Kit (RFI-4RGBW)	6
DMX Controller (MRI-DMXWP)	7
Wiring Diagrams (MRI-DMXPS)	8-10



CATALOG #	TYPE	
JOB NAME	WATTAGE	VOLTAGE

MRI RGBW DMX System Components

MRI-DMXPS

Fully Digital Controlled Power Source for LED Luminaires

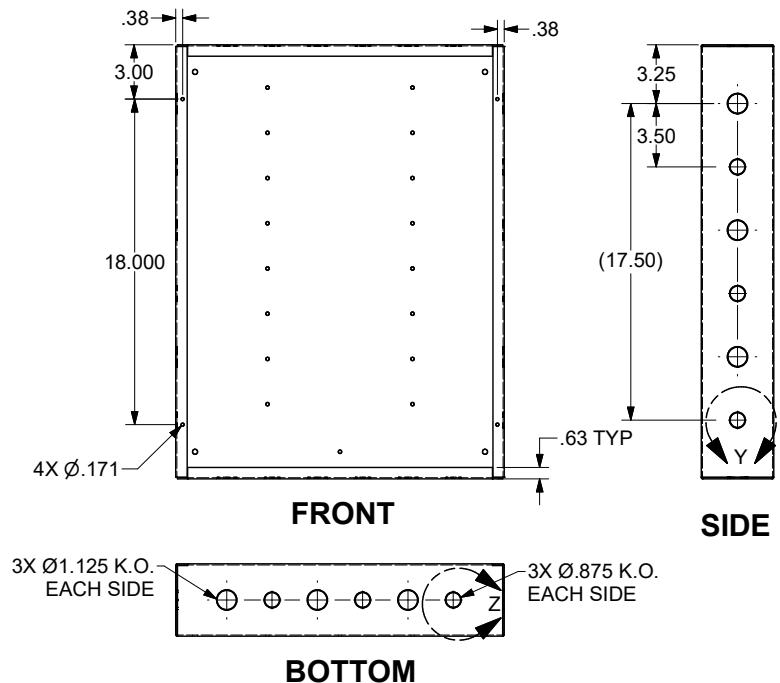
Power Supply Enclosure and Drivers

- 24" x 18" x 4.5" carbon steel enclosure supports up to **8 Remote Drivers**
- Wall-mounted enclosure fabricated from 16 gauge steel. Includes flat, removable cover fastened with plated steel screws. Cover design permits easy removal without extracting cover screws. Mounting holes on back of cabinet. Removable knockouts on all four sides.
- Certifications and Compliance: NEMA 1 rating, UL Listed



Specifications and Dimensions

Dimensions	24" (h) x 18" (w) x 4.5" (d)
Weight	34 lbs
Color	Black
Construction	Spot Welded
Cover Type	Screw Cover
Knockouts	Trade Sizes: 1/2", 3/4"
Listings	UL, CSA
Material	Carbon Steel
Mounting Method	4x Mounting Holes
Mounting Type	Wall Mount
NEMA Rating	NEMA 1



Kirlin reserves the right to make changes without further notice to any products herein to improve reliability, function, or design. Kirlin does not assume any liability arising out of the application or use of any product described herein; neither does it convey any license under its patent rights, nor the rights of others.

In MRI Installations, wall controls **MUST** be located outside the MRI room shield and must **NOT** be filtered. MRI Driver Cabinet must **NOT** be mounted to, or be in contact with the MRI room shield.

CATALOG NUMBER
MRI-DMXPS

Specifications (Per Driver Channel)

Input Electrical Specifications

Nominal input voltage range AC	120 - 277V
Absolute input voltage range AC	108 - 305V
Input frequency range	50 - 60Hz
Maximum wattage	50W
Efficiency at full load	85%
Power factor at full load	> 0.95
THD at full load	< 20%
Maximum inrush current	< 100mA ² s @ 120V / 60Hz < 100mA ² s @ 277V / 60Hz
Surge protection	2kV differential mode (DM) 2kV common mode (CM)
Maximum standby power	< 0.5W

Environmental Conditions

Operating ambient temperature (Ta) Range	-20°C to +50°C
Acoustic noise - steady state	< 24dBa (Class A)
All components	Dry location only

Dimming Control

Control protocol	DMX 512-A
Dimming range [†]	100% - 0.1%, off
Dimming curve	Logarithmic*
System configuration	RDM

*Can be programmed to different curves via RDM.

Remote Mounting Distance

Module to Filter	50 feet max.
Filter to Luminaire	50 feet max.

[†] In combination with RFI filters, low end dimming decreases to 0.38%

Standards & Compliance

UL Listed, Class P, Class 2	UL 1310 UL 8750	This low voltage luminaire system complies with UL 2108
Conducted emissions	FCC title 47 CFR part 15 class B	
Radiated emissions	FCC title 47 CFR part 15 class B	
Electrostatic discharge	EN 61000-4-2	
DMX	ANSI E1.11 – 2008 (R2013), USITT DMX512-A, ANSI E1.20 – 2010	
Surge protection	ANSI 62.41 1991 category B1: 2.5kV DM, 2.5kV CM @ 30 Ohm	
Restriction of hazardous substances	RoHS3 (Directives 2011/65/EU-2015/863/EU)	



Kirlin reserves the right to make changes without further notice to any products herein to improve reliability, function, or design. Kirlin does not assume any liability arising out of the application or use of any product described herein; neither does it convey any license under its patent rights, nor the rights of others.

In MRI Installations, wall controls **MUST** be located outside the MRI room shield and must **NOT** be filtered. MRI Driver Cabinet must **NOT** be mounted to, or be in contact with the MRI room shield.

CATALOG NUMBER
MRI-DMXPS

CATALOGED KIRLIN COMPONENTS ARE WARRANTED FREE OF DEFECTS IN WORKMANSHIP OR MATERIAL FOR FIVE YEARS FROM DATE OF PURCHASE. INSTALLATION TO N.E.C. IN NORMAL USE. Manufacturer at his option will replace or repair such product or refund the purchase price on presentation of proof of purchase and defective product at the office of manufacturer within five years of original shipment. Liability of manufacturer is limited to the foregoing, and manufacturer shall not be liable for any other damages, direct or indirect, sustained or suffered by purchaser or any person. This warranty is supplied to the buyer in place of all other warranties, expressed or implied. Seller does not warrant as to merchantability or fitness for a particular use, nor will any oral statement constitute a warranty or amend this specific warranty. Abnormal use, abuse of the product, improper installation, or repair, or modification of the product without prior written authorization from the manufacturer will render the warranty void.

How to Order

1. Calculate the total feet of RGBW fixture length per room.
2. Calculate the total feet of RGBW downlights, cylinders and sconces per room.
3. If less than 4 linear feet or 2 downlights per room, consult factory.
4. Order 1 (one) MRI-DMXPS per room

Total Length (per room)	Driver Count	Included Number of RFI-4RGBW
4 - 8 feet	1	1 filter
10 - 16 feet	2	2 filters
18 - 24 feet	3	3 filters
26 - 32 feet	4	4 filters
34 - 40 feet	5	5 filters
42 - 48 feet	6	6 filters
50 - 56 feet	7	7 filters
58 - 64 feet	8	8 filters
66 + feet	Consult Factory	Consult Factory

Total Downlights * (per room)	Driver Count	Included Number of RFI-4RGBW
2-4 downlights	1	1 filter
5-8 downlights	2	2 filters
9-12 downlights	3	3 filters
13-16 downlights	4	4 filters
17-20 downlights	5	5 filters
21-24 downlights	6	6 filters
25-28 downlights	7	7 filters
29-32 downlights	8	8 filters
33 + downlights	Consult Factory	Consult Factory

For projects with more than 8 drivers per room, more than one driver cabinet will be supplied. Contact factory for additional details.

* Downlights include downlights, adjustables, wall washes, cylinders, and wall sconces for ordering purposes.

Ordering Configuration

Examples: MRI-DMXPS-26FT-11DL
MRI-DMXPS-26FT
MRI-DMXPS-11DL

Must Specify		
Model	Number of Feet	Number of Downlights, Cylinders and Sconces
MRI-DMXPS	- FT	- DL
	<p>(Blank): Power supplies for downlights, cylinders and sconces only</p> <p>-XXFT: Total number of feet of linear product per MRI Suite</p> <p><i>Note: Lengths must be a minimum of 4FT if ordering linear power supplies.</i></p> <p>-NWC no MRI-DMXWP included</p>	<p>(Blank): Power supplies for linear fixtures only</p> <p>-XXDL: Total number of downlights, cylinders, and sconces per MRI Suite</p> <p><i>Note: Quantity must be a minimum of 2 downlights* if ordering downlight power supplies.</i></p>

Cabinet includes 1 (one) MRI-DMXWP controller and indicated number of RFI-RGBW filters.





Kirlin reserves the right to make changes without further notice to any products herein to improve reliability, function, or design. Kirlin does not assume any liability arising out of the application or use of any product described herein; neither does it convey any license under its patent rights, nor the rights of others.

In MRI Installations, wall controls **MUST** be located outside the MRI room shield and must **NOT** be filtered. MRI Driver Cabinet must **NOT** be mounted to, or be in contact with the MRI room shield.

CATALOG NUMBER
MRI-DMXPS

Available Maintenance Levels

Level	Option	Tools Required to Service LED Module and Driver
	Standard	 <ul style="list-style-type: none"> • Phillips head screwdriver, and/or a basic wrench needed



Kirlin reserves the right to make changes without further notice to any products herein to improve reliability, function, or design. Kirlin does not assume any liability arising out of the application or use of any product described herein; neither does it convey any license under its patent rights, nor the rights of others.

In MRI Installations, wall controls **MUST** be located outside the MRI room shield and must **NOT** be filtered. MRI Driver Cabinet must **NOT** be mounted to, or be in contact with the MRI room shield.

CATALOG NUMBER

CATALOG #	TYPE	
JOB NAME	WATTAGE	VOLTAGE

SmartLED™ RGBW Filter Kit

For use with Kirlin MRI RGBW products

RFI-4RGBW

DC MRI FILTER & DISTRIBUTION BOX

Specifications

“Smart” Filters

- Allows power and RGBW DMX signal to be delivered into the MRI suite
- Removes RFI/EMI from electrical circuits entering the MRI suite
- Simple plug-and-play wiring inside MRI suite via non-ferromagnetic connected circuit board (included)

“Smart” Operation

- 60 volt DC maximum
- 3 amp maximum current
- Indoor use, -10°C to 60°C (-14°F to 140°F)
- Insertion loss: 100dB min (10kHz-1.0 GHz)

“Smart” Size

- Small size of filter allows placement virtually anywhere through the MRI shield

“Smart” Installation

- Each output circuit is clearly labeled and prewired through a standard 1/2" threaded hub
- Input terminal allows for quick connection

“Smart” Construction

- Completely enclosed nickel plated steel with (8) #18 leads, each 18" long

FIVE YEAR Limited Warranty

- Complete

RFI-4100D Filter

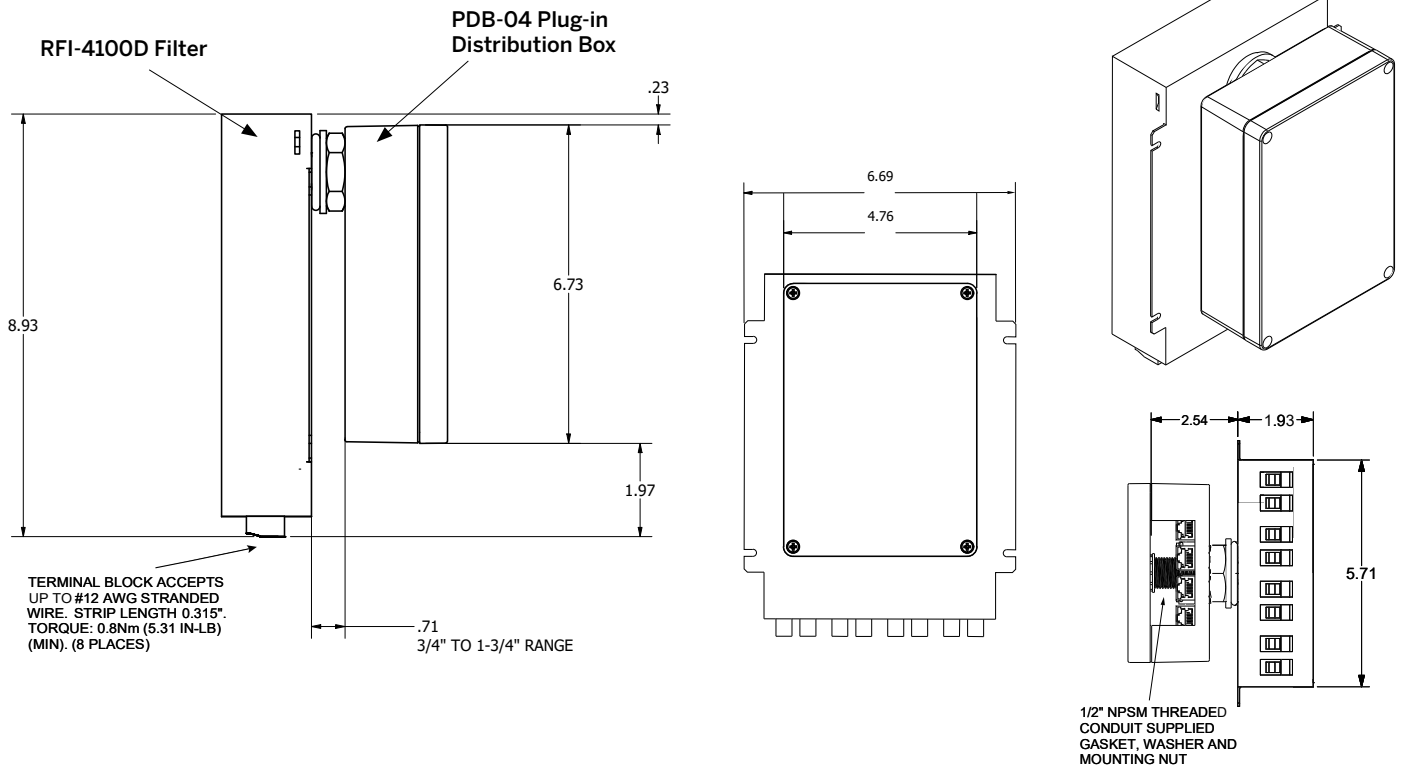


PDB-04 Plug-in Distribution Box



For MRI Installations, use of both SmartLED™ Driver System and Filters is REQUIRED or Kirlin warranty is null and void.

Dimensions (Inches)



Kirlin reserves the right to make changes without further notice to any products herein to improve reliability, function, or design. Kirlin does not assume any liability arising out of the application or use of any product described herein; neither does it convey any license under its patent rights, nor the rights of others.

In MRI Installations, wall controls **MUST** be located outside the MRI room shield and must **NOT** be filtered. MRI Driver Cabinet must **NOT** be mounted to, or be in contact with the MRI room shield.

CATALOG NUMBER
RFI-4RGBW

CATALOG #	TYPE	
JOB NAME	WATTAGE	VOLTAGE

SmartLED™ MRI Lighting System

Wall-Mounted Multi-Zone DMX Controller

Advanced programmable DMX lighting controller with a touchscreen interface

Specifications

DMX Controller Features

- Wall-mounted lighting controller
- Up to 12 preset scenes on 10 zones
- Scroll wheel and quick access dimmer, scene, RGB color and speed buttons
- Tempered sleek glass front panel
- USB & Ethernet connectivity for programming and control
- Multi-zone microSD memory

Color Parameters

- Brightness
- Saturation
- Speed of color changing sequence
- Fading/dimming/brightness

Power Input

- 6VDC (Transformer Included)

DMX Output

- 1024 DMX Channels, 2 Universes

Trigger Protocols

- 8 x Dry Contact Trigger, Calendar Trigger, RS-232, IR

Mounting

- Single Gang Electrical Box (Not Included)

Housing

- Glass Panel, Polycarbonate Body

Operating Temp

- 14° - 113° F (-10° - 45° C)

Connectors

- Screw Terminal Blocks and RJ45, USB Programming Cable (Included)

Storage

- Micro SD Card (Included)

SIZE/WEIGHT

- Length: 4.17" (106mm)
- Width: 0.43" (11mm)
- Vertical Height: 5.75" (146mm)
- Weight: 0.5 lbs. (0.2kg)

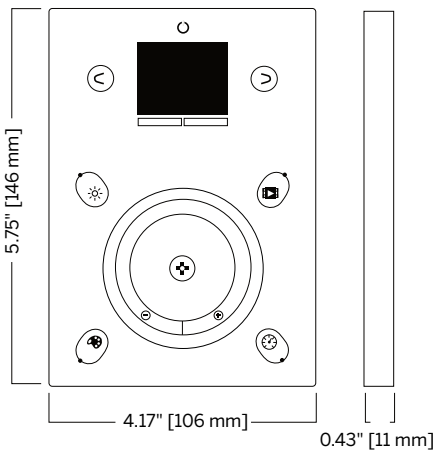
FCC Compliance

- FCC Part 15 certified for EMI/RFI emissions

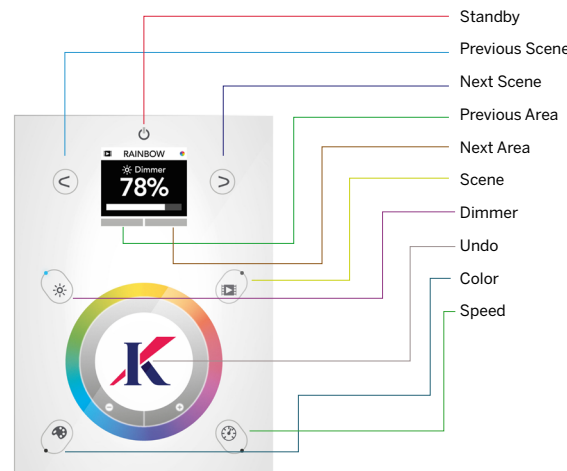
MRI-DMXWP



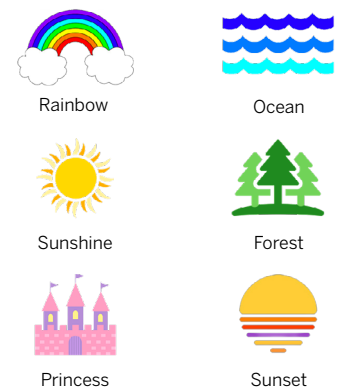
Dimensions



Features



Pre-Loaded Scenes



For additional information on scene configuration, or to create custom scenes, consult factory.



Kirlin reserves the right to make changes without further notice to any products herein to improve reliability, function, or design. Kirlin does not assume any liability arising out of the application or use of any product described herein; neither does it convey any license under its patent rights, nor the rights of others.

In MRI Installations, wall controls **MUST** be located outside the MRI room shield and must **NOT** be filtered. MRI Driver Cabinet must **NOT** be mounted to, or be in contact with the MRI room shield.

CATALOG NUMBER
MRI-DMXWP

MRI DMX Remote Power Supply

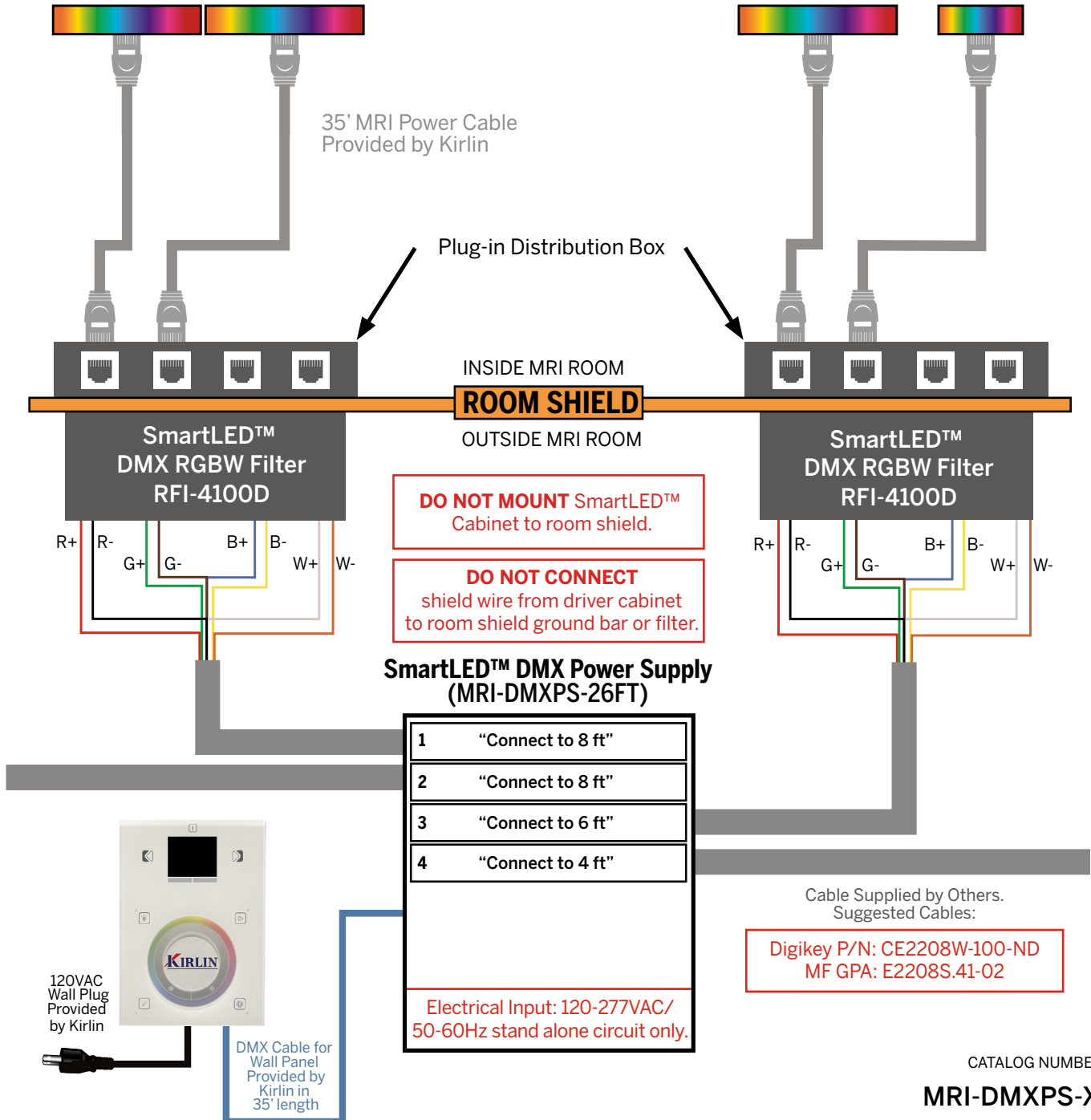
Wiring Diagram Example - Linear Fixtures Only

Following instructions on driver #1, connect 8 feet of fixture length (4 feet + 4 feet) to the plug-in distribution box via RJ45 jacks provided

DO NOT CONNECT
LED luminaries to energized system.

For MRI Installations, use of both SmartLED™ Driver Modules and Filters is **REQUIRED** or Kirlin warranty is null and void.

Following instructions on driver #3, connect 6 feet of fixture length (4 feet + 2 feet) to the plug-in distribution box via RJ45 jacks provided



CATALOG NUMBER

MRI-DMXPS-XXFT

MRI DMX Remote Power Supply

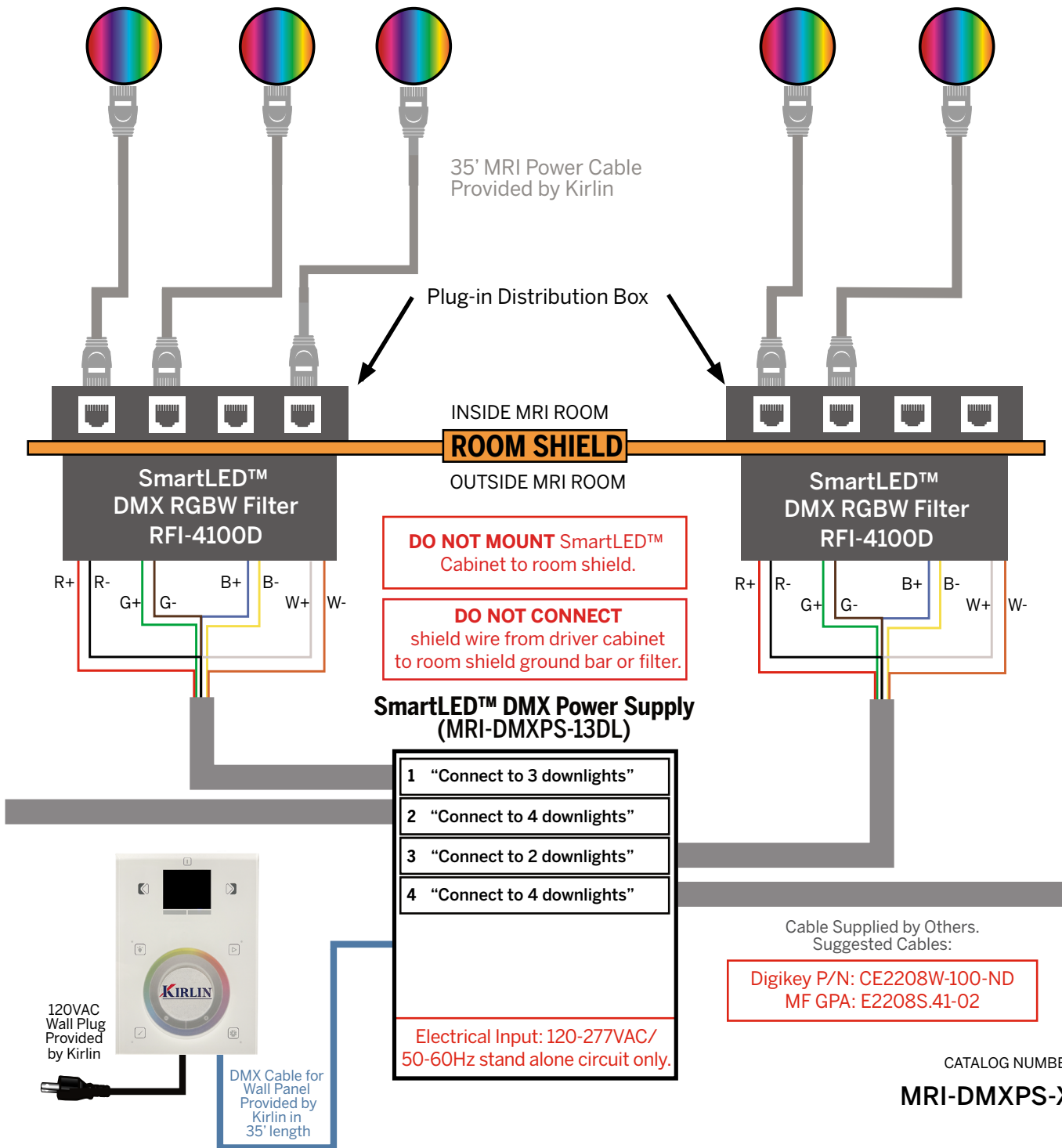
Wiring Diagram Example - Downlights, Cylinders, Sconces Only

Following instructions on driver #1, connect 3 downlights to the plug-in distribution box via RJ45 jacks provided

DO NOT CONNECT
LED luminaries to energized system.

For MRI Installations, use of both SmartLED™ Driver Modules and Filters is **REQUIRED** or Kirlin warranty is null and void.

Following instructions on driver #3, connect 2 downlights to the plug-in distribution box via RJ45 jacks provided



CATALOG NUMBER

MRI-DMXPS-XXFT

MRI DMX Remote Power Supply

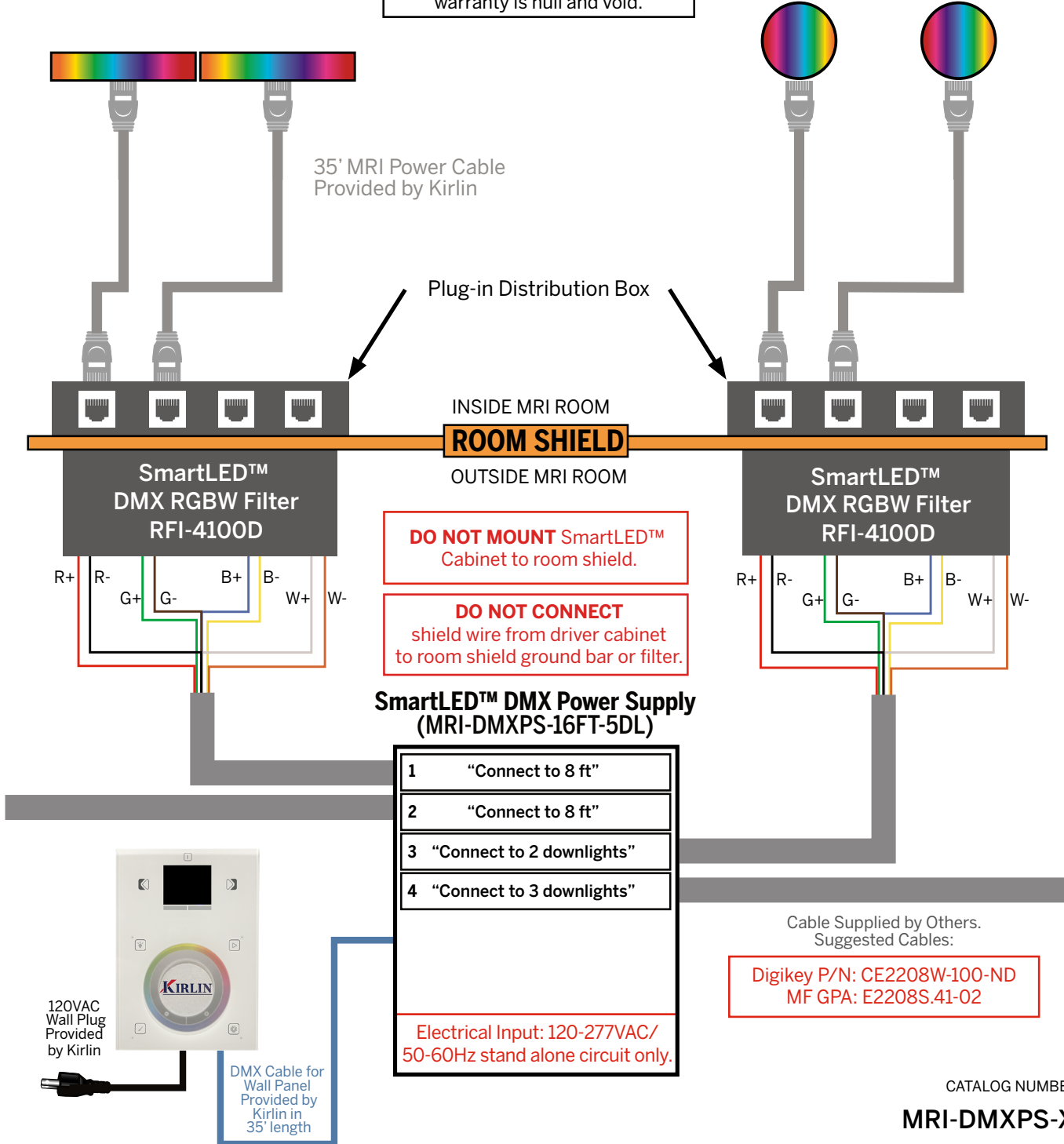
Wiring Diagram Example - Linear Fixtures and Downlights

Following instructions on driver #1, connect 8 feet of fixture length (4 feet + 4 feet) to the plug-in distribution box via RJ45 jacks provided

DO NOT CONNECT
LED luminaries to energized system.

For MRI Installations, use of both SmartLED™ Driver Modules and Filters is **REQUIRED** or Kirlin warranty is null and void.

Following instructions on driver #3, connect two downlights to the plug-in distribution box via RJ45 jacks provided



CATALOG NUMBER

MRI-DMXPS-XXFT

