

CATALOG #	TYPE	
JOB NAME	WATTAGE	VOLTAGE

Latitudes Series

Weatherproof Flagpole 9" Indirect • LED

Up to 60,000 Hour Rated Life • Wet Location

LM-79 Certified • LM-80 Qualified

Specifications

Delivered System Performance

- Lumen Series: **Must Specify**
 - 6500L
 - 5000L
 - 3500L
- Distributions: SPT standard
- Select color (CCT): see chart; 80+ CRI standard; Option -HC for 90+ (15% lumen loss)
- 60,000 hour rated life (L70)

Thermal Management System

- Aluminum heat sink and components for cool operation, long life, and low maintenance

LED Driver - INTERNAL

- Indoor/Outdoor: -30°C to 60°C (-22°F to 140°F)
- 0-10V CCR 10% dimming standard
- 120-277V / 50-60 Hz standard; load insensitive

WeatherCap and Lens

- Tempered clear glass
- Sealed and gasketed to prevent water intrusion
- Removable for service

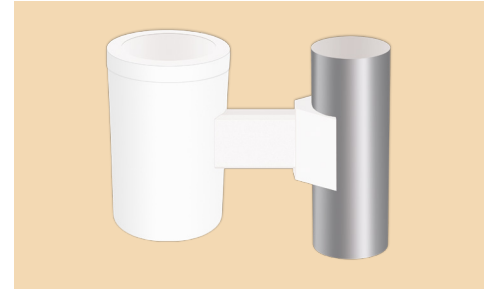
Aluminum Housing

- White acrylic enameled with radiused flagpole mounting bracket. See Options for other colors
- Seamless, deep-drawn, no visible hardware
- 6 1/2" standard mounting bracket length. See Option -87 or consult factory for availability in custom lengths
- Rustproof and corrosion resistant: exceeds 1000 hour ASTM 5% salt spray test
- Cool operation extends component life

Installation & Hardware

- Mounting bracket extrusion assembled to housing
- Heavy gauge aluminum radius cut mounting plate; formed, welded, polished and bolted to bracket

LWR-09490



- Mounting hardware included
- Specify bracket length other than standard (see Option -87)
- Flagpole diameter must be supplied at the time of order for proper fit to flagpole**

UL, C-UL (Canada)

- Wet, damp or dry locations, covered ceilings

IEC & FCC Compliance

- Meets IEC/EN 60601-1-2 electromagnetic compatibility standard for medical electrical equipment
- FCC Part 15 certified for EMI/RFI emissions

FIVE YEAR Limited Warranty

- Complete standard fixture

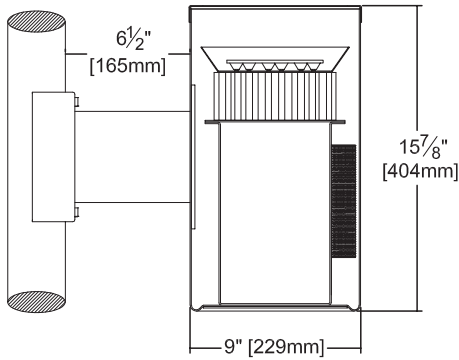


Options and Ordering Configuration

(Example: LWR-09490-6500L-277-41K-35-FS)

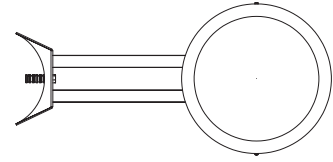
Must Specify				Optional			
Model	Lumens	Volts	CCT† & CRI	Pole Diameter	Luminaire (Housing) Finishes	Mounting Options	Other Options
LWR-09490	-6500L -5000L -3500L	-120 -277 -97†: Other Voltage	(Blank): 3500K, 80+ CRI 80+ CRI* -27K: 2700°K -30K: 3000°K -35K: 3500°K -41K: 4100°K -50K: 5000°K *Note: Lumen Factor = 0.93 for -27K 90+ CRI** -27K-HC: 2700°K -30K-HC: 3000°K -35K-HC: 3500°K -41K-HC: 4100°K -50K-HC: 5000°K **Note: Lumen Factor = 0.79 for -27K-HC; All Others = 0.85; Consult factory	-4" Dia -5" Dia -6" Dia -7" Dia -8" Dia (Custom diameter available, specify other)	(Blank): Standard white tapered aluminum rigid cast trim -35: Silver (natural aluminum) acrylic enamel -37: Dark bronze acrylic enamel -38: Black acrylic enamel -94: Custom color; consult factory	-87: Custom wall bracket length. Specify.	(Blank): None -99: Special modification; consult factory -FS: Single in-line fuse -D40: -40°C driver 0-10V 10% dimming instead for -3500L. Consult factory for use with -5000L or -6500L

Dimensions



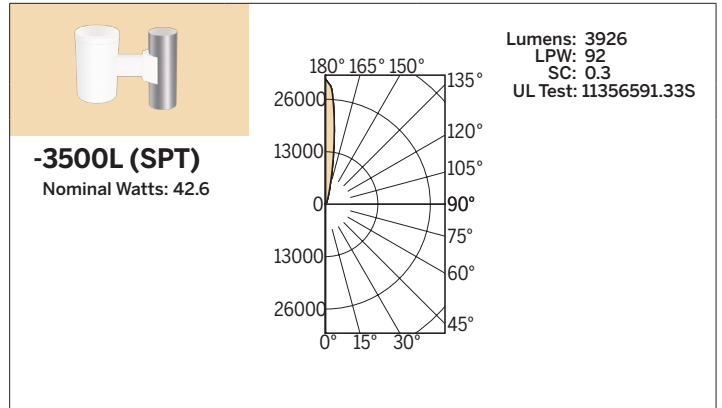
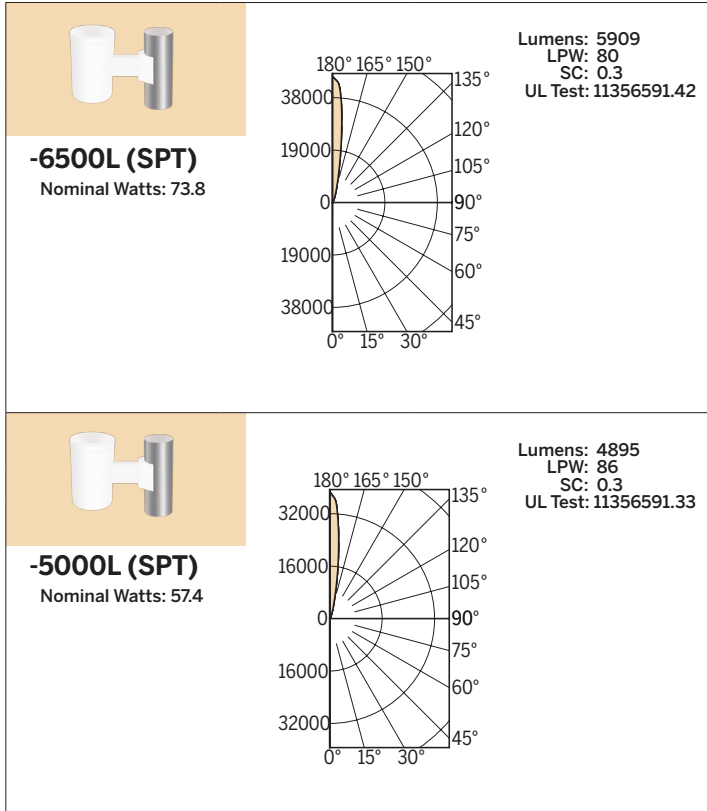
**NOTE: SPECIFY
FLAGPOLE
DIAMETER AT TIME
OF ORDER**

EPA 2.1



Photometry - Installed Complete Fixture

LM-79 IESNA Certified Photometry from Independent Lab



* See notes on page 1 for additional info on Lumen Factors

LED manufacturers maintain a tolerance of +/-7% on flux (lumens) and power (electrical) measurements.

▲ **Cone of Light Key**
Dia. (in ft.) shown is where FC value is half the FC at nadir.

Dist. Distance (Ft.) from fixture
FC Footcandles at nadir (0°)
Dia. Circle of light at 50% of FC

LIMITED WARRANTY: CATALOGED KIRLIN FIXTURES ARE WARRANTED FREE OF DEFECTS IN WORKMANSHIP OR MATERIAL FOR FIVE YEARS FROM DATE OF PURCHASE. INSTALLATION, IN-NORMAL USE, MANUFACTURER'S NEGLIGENCE, OR REPAIR OR REWORKING OF THE FIXTURE SHALL VOID THE WARRANTY. THE WARRANTY IS LIMITED TO THE ORIGINAL PURCHASER AND DOES NOT COVER DAMAGE TO THE FIXTURE CAUSED BY IMPROPER INSTALLATION, IMPROPER USE, OR MODIFICATION OF THE FIXTURE WITHOUT PRIOR WRITTEN AUTHORIZATION FROM THE MANUFACTURER. THE WARRANTY WILL RENDER THE WARRANTY VOID.