

CATALOG #	TYPE	
JOB NAME	WATTAGE	VOLTAGE

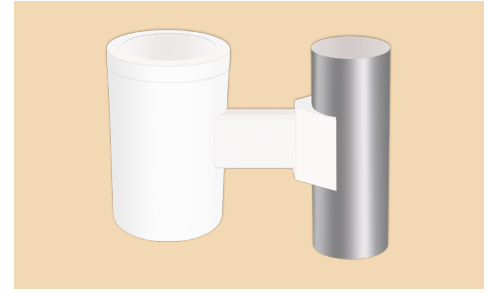
Latitudes Series

Weatherproof Flagpole 9" Indirect • LED

Up to 60,000 Hour Rated Life • Wet Location

LM-79 Certified • LM-80 Qualified

LWR-09490



Specifications

Delivered System Performance

- Lumen Series: **Must Specify**
 - 6500L
 - 5000L
 - 3500L
- Distributions: SPT standard
- Select color (CCT): see chart; 80+ CRI standard; Option -HC for 90+ (15% lumen loss)
- 60,000 hour rated life (L70)

Thermal Management System

- Aluminum heat sink and components for cool operation, long life, and low maintenance

LED Driver - INTERNAL or REMOTE

- Indoor/Outdoor: -30°C to 60°C (-22°F to 140°F)
- Remote driver in mini cabinet available, see option -REM
- 0-10V CCR 10% dimming standard
- 120-277V / 50-60 Hz standard; load insensitive

WeatherCap and Lens

- Tempered clear glass
- Sealed and gasketed to prevent water intrusion
- Removable for service

Aluminum Housing

- White acrylic enameled with radiused flagpole mounting bracket. See Options for other colors
- Seamless, deep-drawn, no visible hardware
- 6 1/2" standard mounting bracket length. See Option -87 or consult factory for availability in custom lengths
- Rustproof and corrosion resistant: exceeds 1000 hour ASTM 5% salt spray test
- Cool operation extends component life

Installation & Hardware

- Mounting bracket extrusion assembled to housing
- Heavy gauge steel radius-cut mounting plate; formed, welded, polished and bolted to bracket
- Mounting hardware included
- Specify bracket length other than standard (see Option -87)
- Flagpole diameter must be supplied at the time of order for proper fit to flagpole**

UL, C-UL (Canada)

- Wet, damp or dry locations, covered ceilings

IEC & FCC Compliance

- Meets IEC/EN 60601-1-2 electromagnetic compatibility standard for medical electrical equipment
- FCC Part 15 certified for EMI/RFI emissions

FIVE YEAR Limited Warranty

- Complete standard fixture

Maintenance and Future-Proofing

- M1 maintenance level standard- Phillips head screwdriver, and/or a basic wrench needed
- Lighthouse, driver replaceable through the aperture of the fixture with quick-connections, no soldering required
- Backed by Kirlin's [25-Year Legacy Support Guarantee](#)



Available Maintenance Levels

Level	Option	Tools Required to Service LED Module and Driver
M1	Standard	<ul style="list-style-type: none"> ✘ • Phillips head screwdriver, and/or a basic wrench needed

Options and Ordering Configuration

(Example: LWR-09490-6500L-277-41K-35-FS)

Must Specify				Optional				
Model	Lumens	Volts	CCT† & CRI	Pole Diameter	Luminaire (Housing) Finishes	Driver Options	Mounting Options	Other Options
LWR-09490	-6500L -5000L -3500L	-120 -277 -97†: Other Voltage	(Blank): 3500K, 80+ CRI 80+ CRI* -27K: 2700°K -30K: 3000°K -35K: 3500°K -41K: 4000°K -50K: 5000°K *Note: Lumen Factor = 0.93 for -27K 90+ CRI** -27K-HC: 2700°K -30K-HC: 3000°K -35K-HC: 3500°K -41K-HC: 4000°K -50K-HC: 5000°K **Note: Lumen Factor = 0.79 for -27K-HC; All Others = 0.85; Consult factory	-4" Dia -5" Dia -6" Dia -7" Dia -8" Dia (Custom diameter available, specify other)	(Blank): Standard white tapered aluminum rigid cast trim -35: Silver (natural aluminum) acrylic enamel -37: Dark bronze acrylic enamel -38: Black acrylic enamel -94: Custom color; consult factory	-REM: Driver remote mounted in mini-cabinet; see next page for driver ordering - MUST BE ORDERED SEPARATELY	-87: Custom wall bracket length. Specify.	(Blank): None -99: Special modification; consult factory -FS: Single in-line fuse -D40: -40°C driver 0-10V 10% dimming instead for -3500L. Consult factory for use with -5000L or -6500L

Remote Mini-Cabinet Options and Ordering Configuration

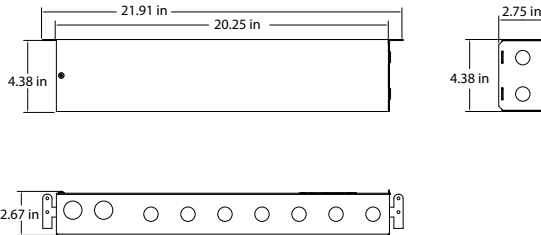
(Example: REM-SWCAB-1400B-2-D2-E14)

Must Specify			Optional
Model	Driver Current	Driver Count	Other Options
REM-SWCAB			
	50 Watt Drivers -1050A: 1050mA 50W driver; powers (1) 3500L fixture 75 Watt Drivers -1400B: 1400mA 75W driver; powers (1) 5000L fixture 100 Watt Drivers -1050C: 1050mA 100W driver; powers (2) 3500L fixture -1400C: 1400mA 100W driver; powers (1) 6500L fixture	-1: 1 driver -2: 2 drivers; N/A on -1050C or -1400C driver options	(Blank): None -E15: Remote emergency micro-inverter: 50W max load; 90+ minutes run time -EM1: Remote emergency mini-inverter: 125W max load; 90+ minutes run time

Lumens	Remote Mini-Cabinet	Driver Wattage	Maximum Capacity	
			1 Driver in -REM Cabinet	2 Drivers in -REM Cabinet
-3500L	REM-SWCAB-1050A	50W	Qty 1: 3500L Luminaire	Qty 2: 3500L Luminaires (1 per driver)
	REM-SWCAB-1050C*	100W	Qty 2: 3500L Luminaires, wired in series	N/A
-5000L	REM-SWCAB-1400B	75W	Qty 1: 5000L Luminaire	Qty 2: 5000L Luminaires (1 per driver)
-6500L	REM-SWCAB-1400C*	100W	Qty 1: 6500L Luminaire	N/A

* 100W XXXXC remote drivers have 2 LED outputs each

Dimensions

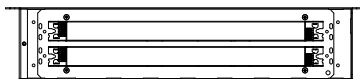


-REM Features

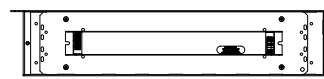
- Drivers can be mounted up to 250' away from fixtures
- Remote mini-cabinets are plenum rated and can be mounted to the ceiling grid
- Low-voltage cabling from driver to fixture(s)
- 1/2" and 3/4" knockouts

50W and 75W Drivers

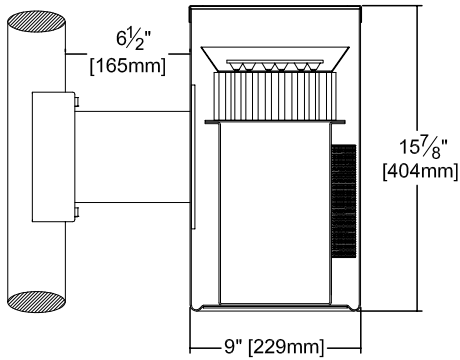
Exact dimensions of drivers inside the box may vary based on options chosen.



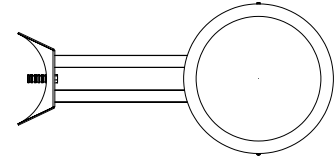
100W Drivers



Dimensions



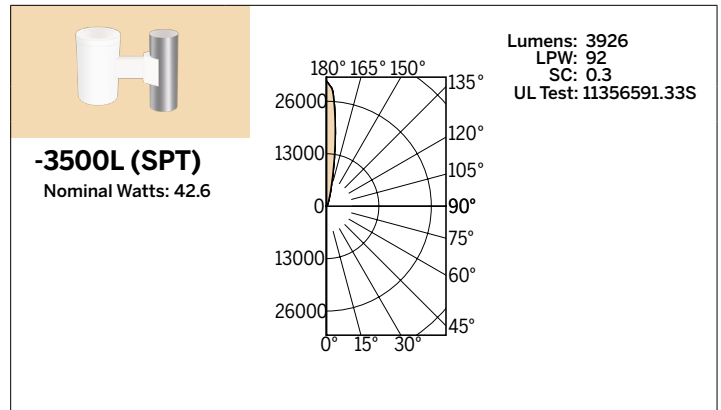
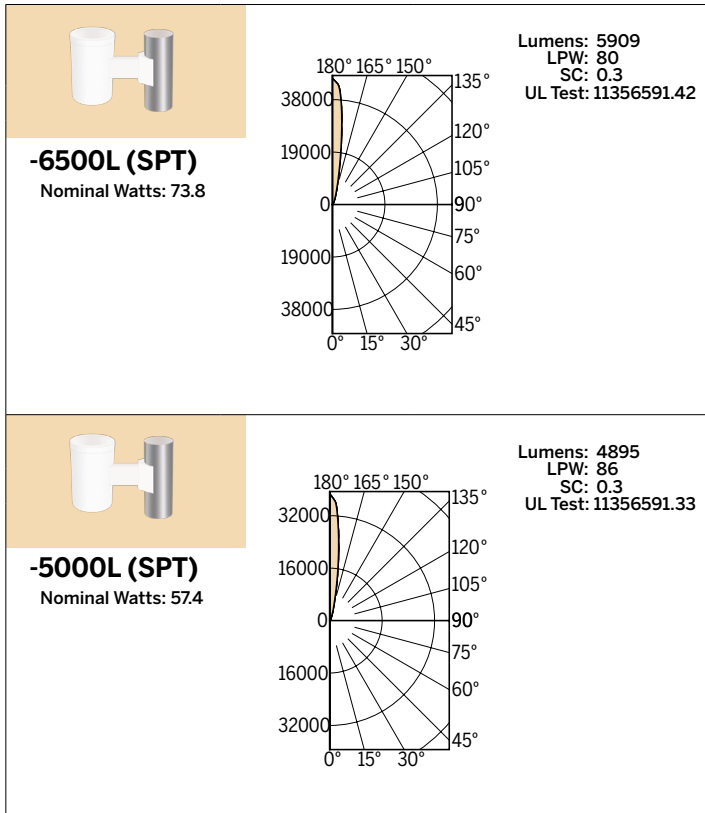
**NOTE: SPECIFY
FLAGPOLE
DIAMETER AT TIME
OF ORDER**



EPA 2.1

Photometry - Installed Complete Fixture

LM-79 IES Certified Photometry from Independent Lab



* See notes on page 1 for additional info on Lumen Factors

LED manufacturers maintain a tolerance of +/-7% on flux (lumens) and power (electrical) measurements.

▲ **Cone of Light Key**
Dia. (in ft.) shown is where FC value is half the FC at nadir.

Dist. Distance (Ft.) from fixture
FC Footcandles at nadir (0°)
Dia. Circle of light at 50% of FC

LIMITED WARRANTY: KIRLIN LIGHTING FIXTURES ARE WARRANTED FREE OF DEFECTS IN WORKMANSHIP OR MATERIAL FOR FIVE YEARS FROM DATE OF PURCHASE. INSTALLATION, IN-NORMAL USE, MANUFACTURER'S NEGLIGENCE, OR REPAIR OF THE FIXTURE OR REPAIR OF THE PURCHASER'S PROPERTY SHALL NOT BE COVERED BY THIS WARRANTY. THE WARRANTY IS APPLIED TO THE BUYER IN PLACE OF ALL OTHER WARRANTIES, EXPRESSED OR IMPLIED. SELLER DOES NOT WARRANT AS TO MERCHANTABILITY OR FITNESS FOR A PARTICULAR USE, NOR WILL ANY ORAL STATEMENT CONSTITUTE A WARRANTY OR AMEND THIS SPECIFIC WARRANTY. ABNORMAL USE, ABUSE OF THE FIXTURE, IMPROPER INSTALLATION, OR REPAIR OR MODIFICATION OF THE FIXTURE WITHOUT PRIOR WRITTEN AUTHORIZATION FROM THE MANUFACTURER WILL RENDER THE WARRANTY VOID.

LATTITUDES
May 2026