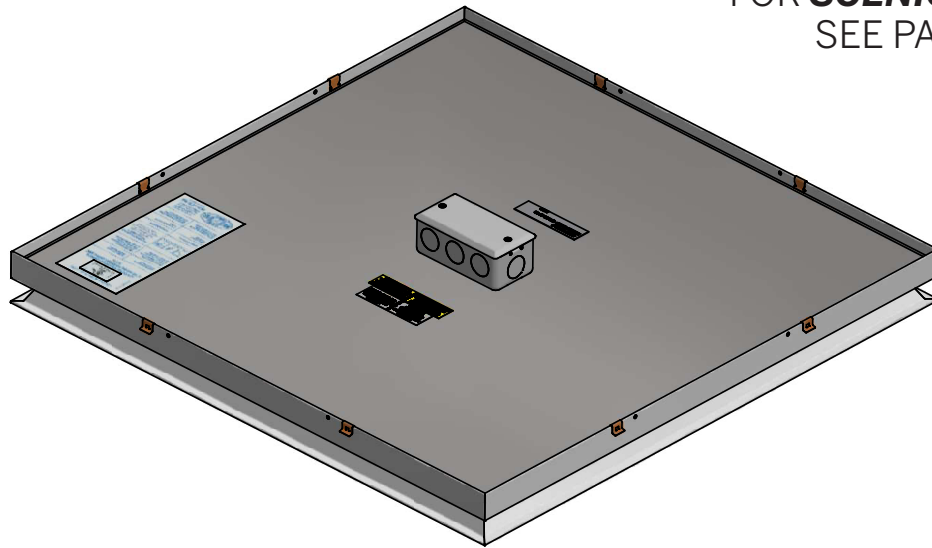


FLAT PANEL INSTALLATION

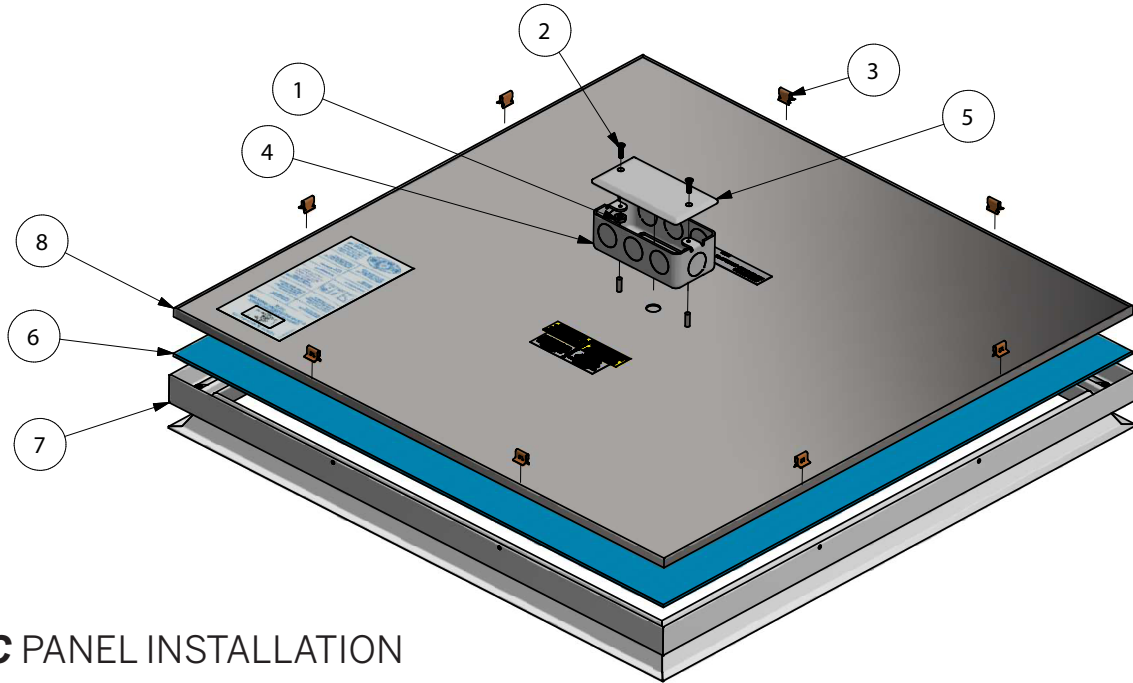
FOR **SCENIC** PANELS
SEE PAGE 2



ASSEMBLE PANEL AS SHOWN IN THE VIEWS ABOVE
REFER TO 674522-00-SS WIRING DIAGRAM.

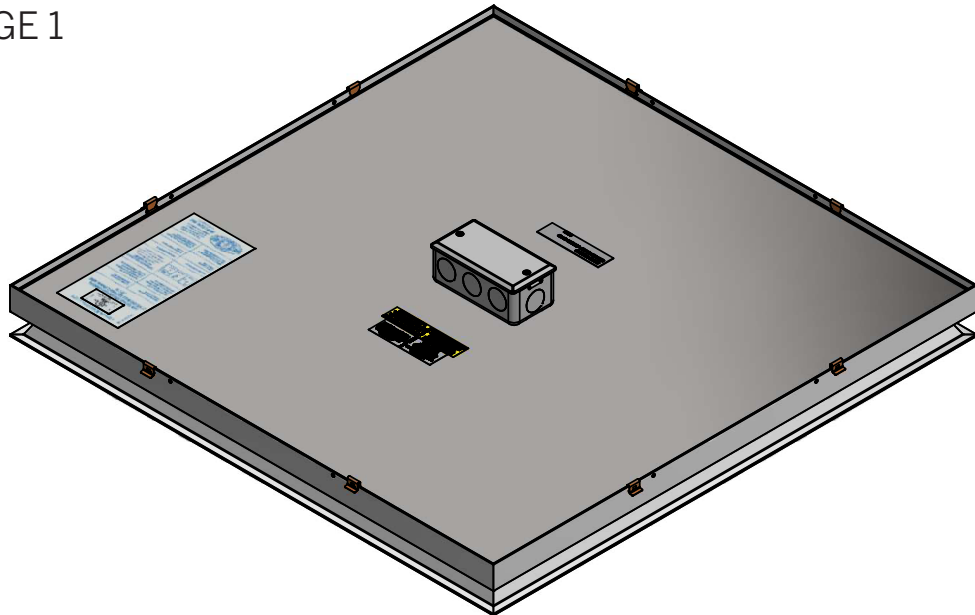
Parts List				
ITEM	QTY	PART NUMBER	DESCRIPTION	
1	2	501032-00-00	SS-NUT 10-24 HEX	
2	2	503031-00-00	SS-SCR 6-32x1/2 PH FL HD MS	
3	8	507014-00-BC	SMALL MRI RETAINING CLIP	
4	1	509424-00-00	ALUMINUM MRI J-BOX	
5	1	509425-00-00	ALUMINUM MRI J-BOX COVER	
6	1	740325-00-XX	TRIM-FLARE: 23.75" SQ	
7	1	850455-XX-00	2 X 2 MRI FLAT PANEL	

**INSTALL IN ACCORDANCE WITH ALL APPLICABLE NATIONAL AND LOCAL ELECTRIC CODES
INSTALL IN ACCORDANCE WITH ALL MARKINGS APPEARING ON OR INSIDE LUMINAIRES**



SCENIC PANEL INSTALLATION

FOR **FLAT** PANELS
SEE PAGE 1



Parts List			
ITEM	QTY	PART NUMBER	DESCRIPTION
1	2	501032-00-00	SS-NUT 10-24 HEX
2	2	503031-00-00	SS-SCR 6-32x1/2 PH FL HD MS
3	8	507014-00-BC	SMALL MRI LENS RETAINING CLIP
4	1	509424-00-00	ALUMINUM MRI J-BOX
5	1	509425-00-00	ALUMINUM MRI J-BOX COVER
6	1	725755-XX-YYY	Acr Clr Digital Lens: .118 x 23.56 SQ
7	1	740325-00-XX	TRIM-FLARE: 23.75" SQ
8	1	850455-XX-YY	MRI FLAT PANEL ASSEMBLY

**INSTALL IN ACCORDANCE WITH ALL APPLICABLE NATIONAL AND LOCAL ELECTRIC CODES
INSTALL IN ACCORDANCE WITH ALL MARKINGS APPEARING ON OR INSIDE LUMINAIRES**