

INFRALITE® DX & INFRALITE® in Cardiac Cath Labs



Features:

- INFRALITE® DX provides up to 25,600 footcandles on the task.
- Fixtures tilt up to 35° and rotate up to 360° and move independently for single or multiple site illumination.
- Fully recessed lights with regressed smooth trims do not interfere with equipment, track systems or practitioners and are easy to clean.
- Patented lighting system provides instantaneous, precise control of direction and intensity of light. Both remote and wall controls are simple to use with easy to clean tactile membrane switches.
- Dichroic (cold mirrored) reflectors transmit 70% less heat, assuring patient and clinician comfort.
- Accurate tissue color rendering from 100 CRI, high output, long life, 3100°K tungsten halogen lamps.
- Entire luminaire and modular components are visible and easily serviced from below through removable trim assembly. Relamping is quick and easy.
- Kirlin's exclusive three year limited warranty (one year remote control).

Photo: Miami Valley Hospital, Dayton, Ohio
Lighting: Kirlin **RR01200** - INFRALITE® DX
Lighting Design: Helmig Lienesch & Associates

Installation Profile:

Miami Valley Hospital - Cardiac Catheterization Laboratory - Dayton, Ohio

Kirlin's completely recessed and powerful INFRALITE® DX motorized lighting system is the ideal solution for cardiac catheterization labs. Each of the four fixtures (shown above) provides an unprecedented 11,250 fcs on the patient while avoiding interference with booms and tracks. Each light may be independently controlled (directionality and intensity) with either the wall or infrared remote controls to illuminate multiple surgical sites simultaneously. →

THE **KIRLIN** COMPANY

3401 East Jefferson Avenue • Detroit, MI 48207-4232
313-259-6400 • FAX 313-259-3121 • info@kirlinlighting.com • www.kirlinlighting.com

INFRALITE® DX & INFRALITE® in Cardiac Cath Labs

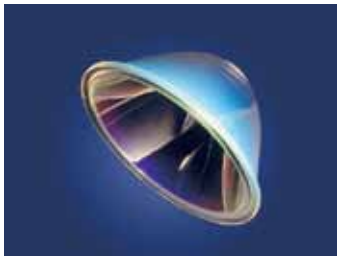
For more information, including specification sheets and photometry, on these and all other Kirlin products, please visit www.kirlinlighting.com or call your local Kirlin Sales Representative for catalogs.



INFRALITE® DX provides up to 25,600 footcandles for high ceilings.

INFRALITE® provides up to 18,100 footcandles for lower ceilings.

Full function (select light, aim, intensity) wall control and infrared remote control with tactile membrane switches. Remote control features beeper to remind staff to return it to the wall control docking station.

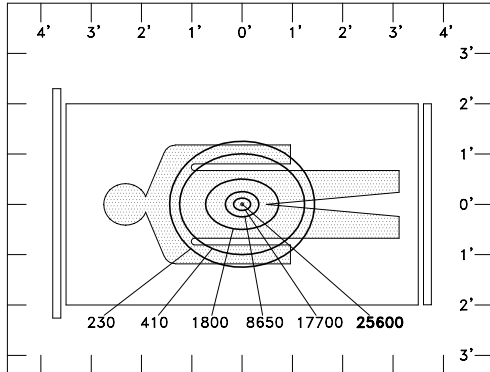


Cold mirrored reflectors transmit 70% less heat, assuring patient and clinician comfort.



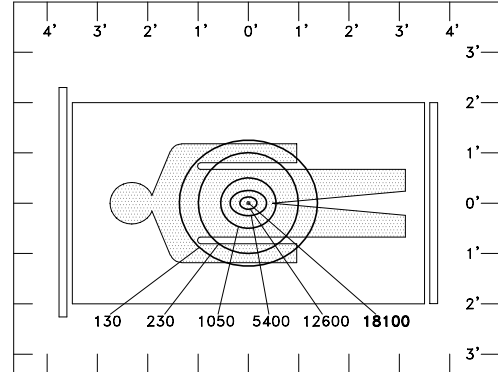
100 CRI tungsten halogen lamps yield full color rendering of tissue for accurate diagnosis.

INFRALITE® DX 25,600 Footcandles on Task



RR01200 - 2 Light System
in Eight Foot Ceiling

INFRALITE® 18,100 Footcandles on Task

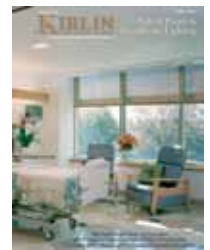


RR01202 - 2 Light System
in Eight Foot Ceiling

Option -SE available for seismic anchorage.

For complete specifications, see catalogs, submittal sheets, owner's manuals and www.kirlinlighting.com.

Patient Exam & Healthcare Lighting Catalog (08HC)



THE KIRLIN COMPANY

3401 East Jefferson Avenue • Detroit, MI 48207-4232
313-259-6400 • FAX 313-259-3121 • info@kirlinlighting.com • www.kirlinlighting.com